



INSTALLATION INSTRUCTIONS

Accessory

CARGO NET
P/N 08L96-SDR-100

Application

2005 ACCORD
HYBRID

Publications No.

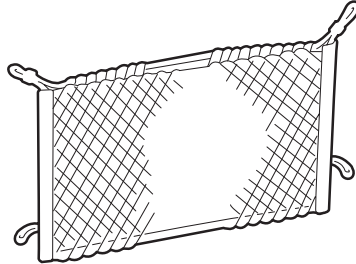
All 27711

Issue Date

NOV 2004

PARTS LIST

Cargo net



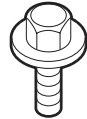
3 Anchors A



Anchor B



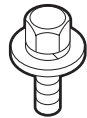
Washer-bolt, 6 x 20 mm



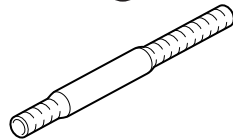
4 Nuts



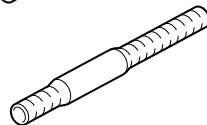
Washer-bolt, 6 x 12 mm



Long stud bolt



Short stud bolt



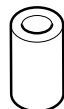
2 Well nuts



2 Washers



Long collar



Short collar



TOOLS AND SUPPLIES REQUIRED

Ratchet

8 mm Socket

10 mm Combination wrench

Clip remover

Drill

3 mm and 10 mm Drill bits

18 mm Holesaw

Eye protection (face shield, safety goggles, etc.)

Masking tape

Tape measure

Felt-tip pen

Pushpin

White paint pen

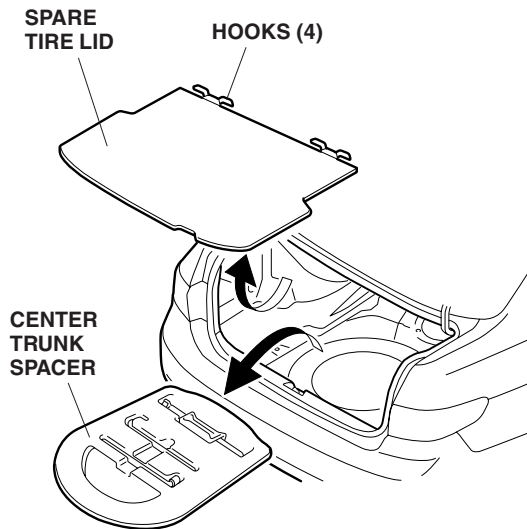
INSTALLATION

Customer information: The information in this installation instruction is intended for use only by skilled technicians who have the proper tools, equipment, and training to correctly and safely add equipment to your vehicle. These procedures should not be attempted by "do-it-yourselfers."

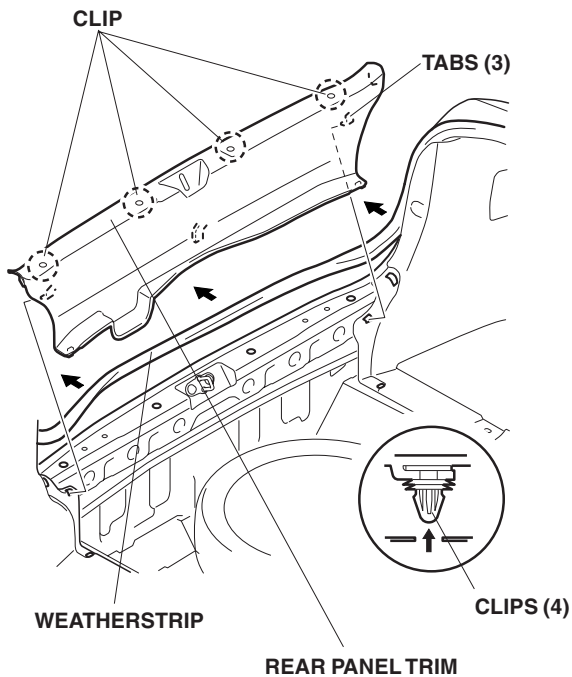
NOTE: These instructions show the right anchor and hooks being installed. The same procedure applies to installing in the left anchor and hooks.

Installing the Hooks and Anchors

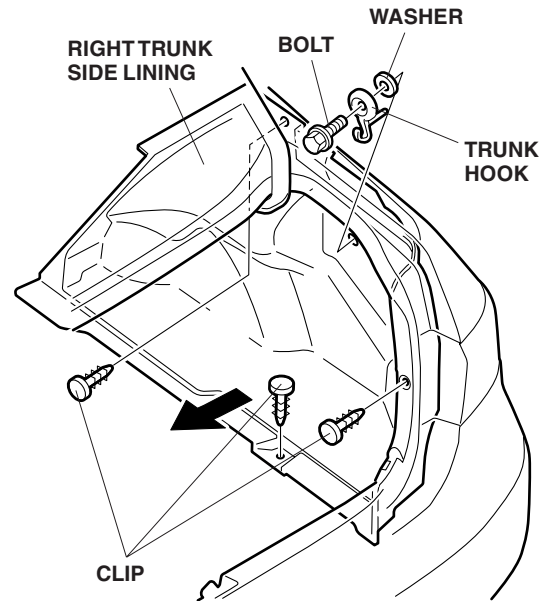
1. Open the trunk. While pressing down on the front of the spare tire lid, pull it toward you and take out the spare tire lid from the trunk.



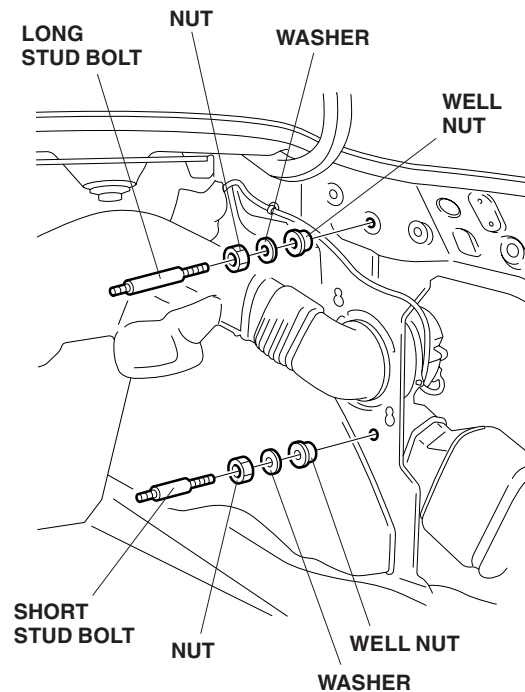
2. Remove the center trunk spacer.
3. Remove the trunk weatherstrip from the edge of the trunk in the area shown, then remove the rear panel trim (four clips and three tabs).



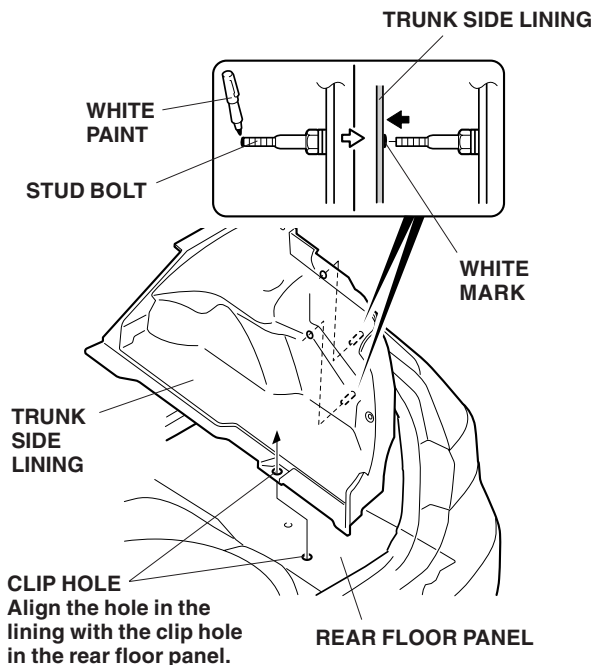
4. Remove the three clips and trunk hook (one bolt and one washer), then pull the right trunk side lining out, away from the side.



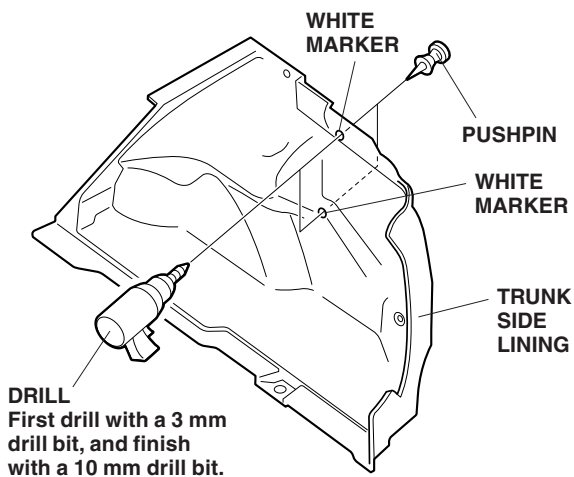
5. Install two well nuts, two washers, two nuts, long stud bolt and short stud bolt to the right rear inside panel as shown. The long threaded end of the studs face the right rear inside panel.



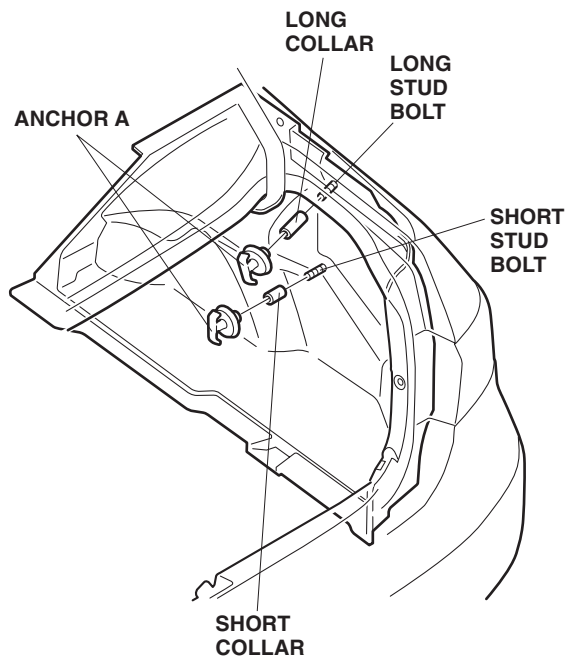
- Apply white paint to the end of the stud bolts.



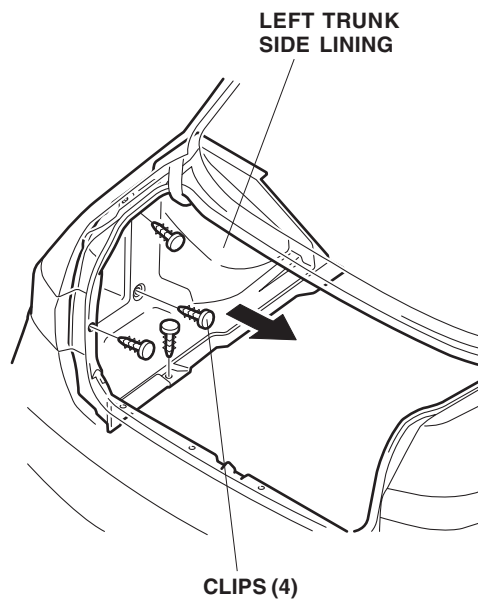
- Position the right side trunk lining on the rear floor and align the clip holes, then hold the lining firmly against the end of the stud bolt so that the white paint is transferred to the trunk side lining.
- Pull back the right side trunk lining.
- Using a pushpin, pierce a hole through the back of the right trunk side lining at the white mark. While wearing eye protection, drill a 10 mm hole through the hole you just made with the pushpin. First drill with a 3 mm drill bit and finish with a 10 mm drill bit. Take care not to damage the rear inside panel.



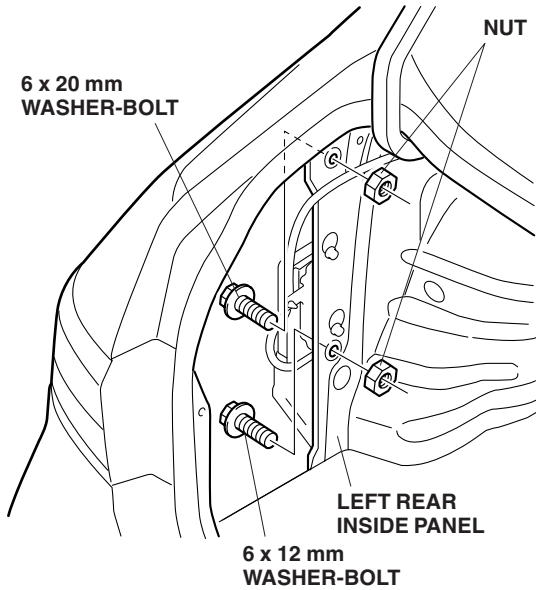
- Place the right side trunk lining back in place.
- Install the short collar and anchor A to the short stud bolt.



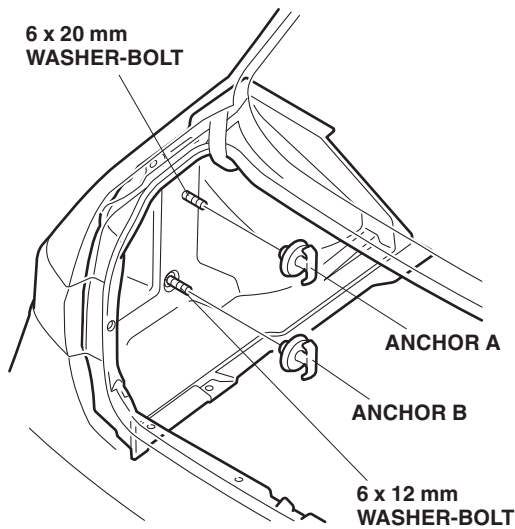
- Install the long collar and anchor A to the long stud bolt.
- Remove the left trunk side lining (four clips).



14. Install the 6 x 20 mm washer-bolt and 6 x 12 mm washer-bolt into the holes in the left rear inside panel and secure them with the two nuts.



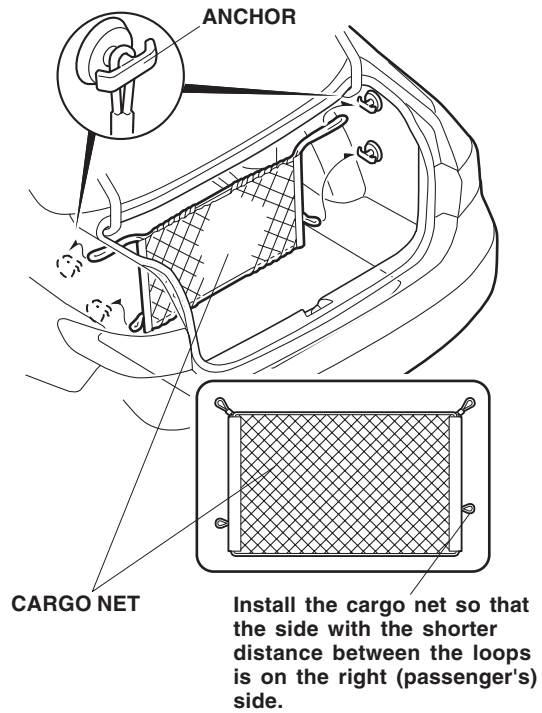
15. Repeat steps 6 thru 9 to mark and drill the left side trunk lining.
16. Reinstall the left side trunk lining. Check that all clips are installed securely.
17. Install an anchor A to the 6 x 20 mm washer-bolt and anchor B to the 6 x 12 mm washer-bolt you installed in step 14.



18. Reinstall all removed parts.

Please give a copy of these instructions to your customer.

19. Install the cargo net to anchor A and anchor B as shown.



NOTE:

- Do not store large or fragile objects in the cargo net.
- Do not store objects with sharp edges or corners, as they may damage the cargo net or the vehicle. Wrap such objects in a blanket so they will not contact the net directly.
- The anchors for the cargo net must not be used for any other purpose.