



INSTALLATION INSTRUCTIONS

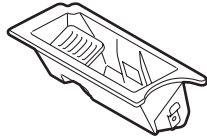
Accessory
**CIGARETTE LIGHTER
WITH ASHTRAY**
P/N 08U25-SDA-100

Application
**2005 ACCORD
HYBRID**

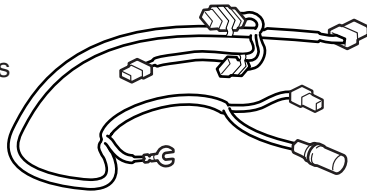
Publications No.
A11 27714
Issue Date
DEC 2004

PARTS LIST

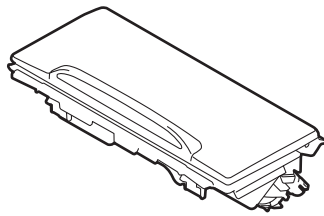
Ashtray



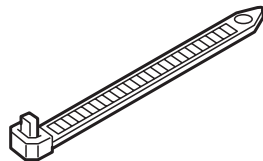
Cigarette lighter harness



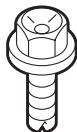
Cigarette lighter holder



12 Wire ties
(1 not used)



Ground bolt



TOOLS REQUIRED

- Phillips screwdriver
- Diagonal cutters
- Hook tool (commercially available)
- Ratchet
- 10 mm Socket

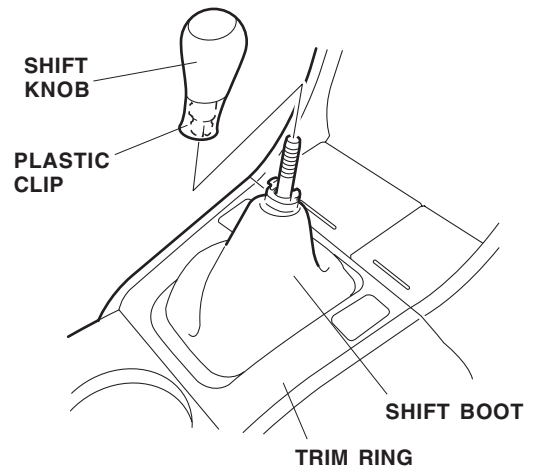
INSTALLATION

Customer Information: The information in this installation instruction is intended for use only by skilled technicians who have the proper tools, equipment, and training to correctly and safely add equipment to your vehicle. These procedures should not be attempted by "do-it-yourselfers."

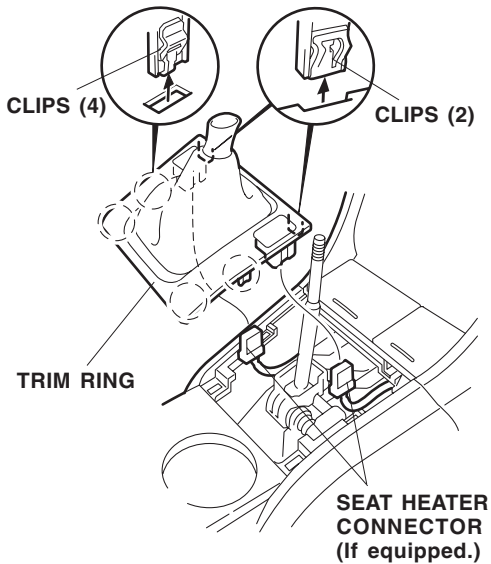
1. Make sure you have the anti-theft code for the radio, then write down the audio presets. If equipped, write down the navigation code.
2. Disconnect the negative cable from the battery.
3. Remove the trim ring:

M/T Model

- Squeeze the plastic clip while you pull down on the shift boot. Remove the shift knob by turning in counterclockwise.

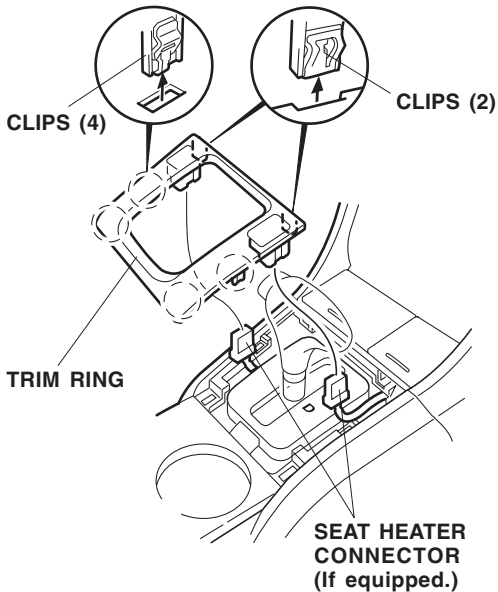


- Gently pry up on the trim ring to release the six clips.
- Unplug the seat heater connectors (if equipped), and remove the trim ring.

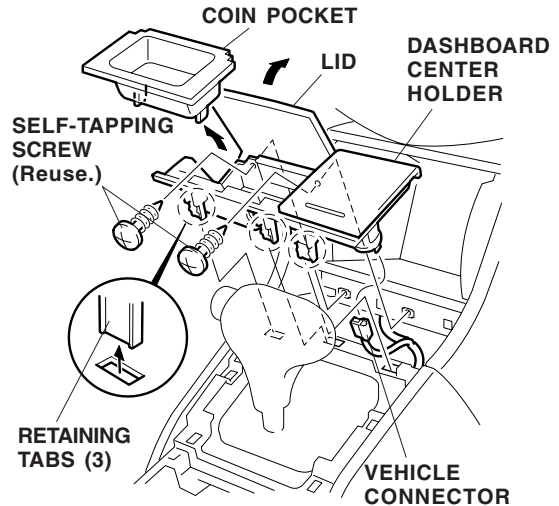


A/T Model

- Shift the shift lever to the “D” position.
- Gently pry up on the trim ring to release the six clips.
- Unplug the seat heater connectors (if equipped), and remove the trim ring.



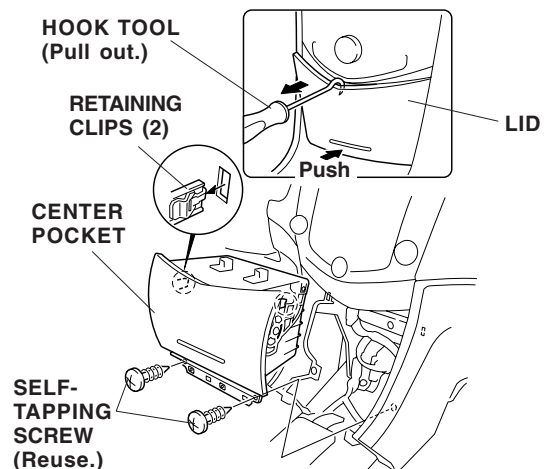
4. Remove the dashboard center holder:
 - Open the coin pocket lid, and remove the coin pocket.
 - Remove the two self-tapping screws.
 - Gently pull out on the dashboard center holder to release the three retaining tabs, unplug the vehicle connector, and remove the center holder.



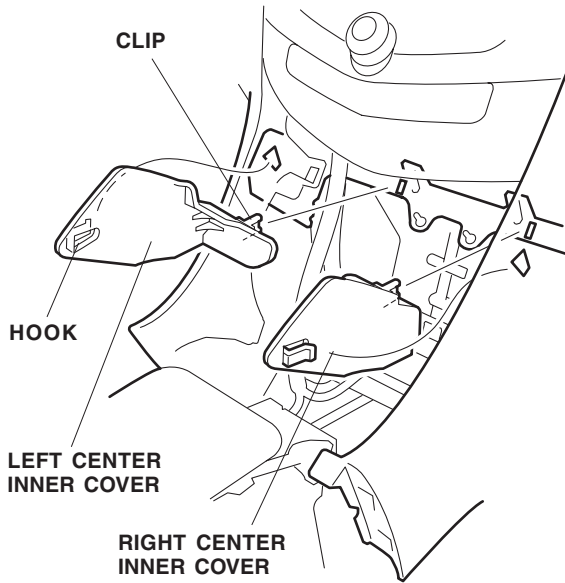
If the vehicle is equipped with a navigation unit, go to step 8; if not, continue with step 5.

5. Remove the center pocket:
 - Remove the two self-tapping screws.
 - Push in on the bottom of the pocket to bring the top out. Using a hook tool, reach in behind the center of the pocket, and pull it out toward it you to release the two retaining clips.
 - Remove the center pocket.

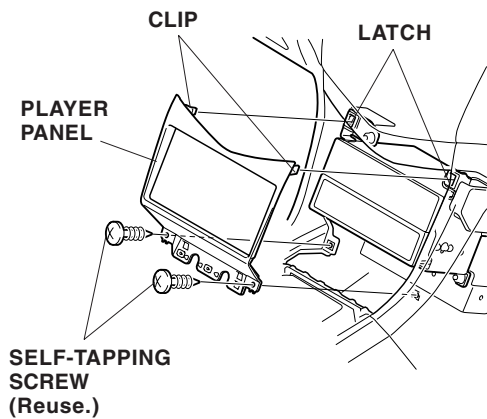
Without Player



6. Remove the left and right center inner covers (one hook and one clip for each cover).

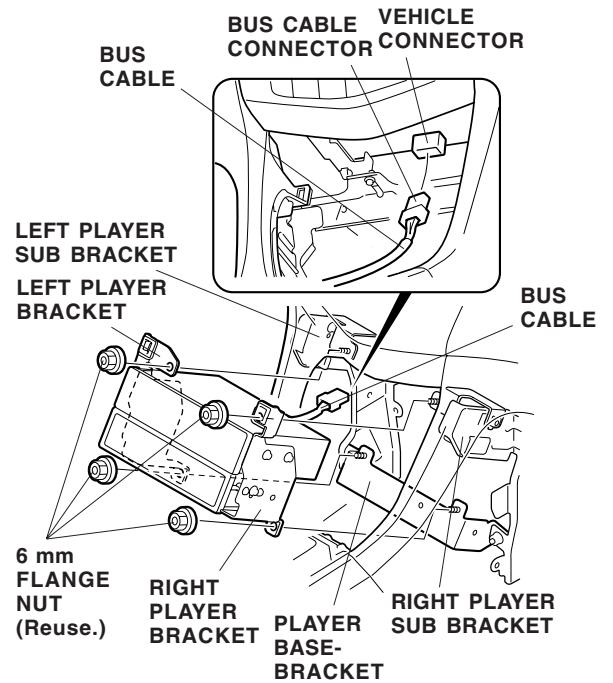


7. If equipped, remove the player/XM radio unit.
 - Remove the player panel by removing the two self-tapping screws and two clips.

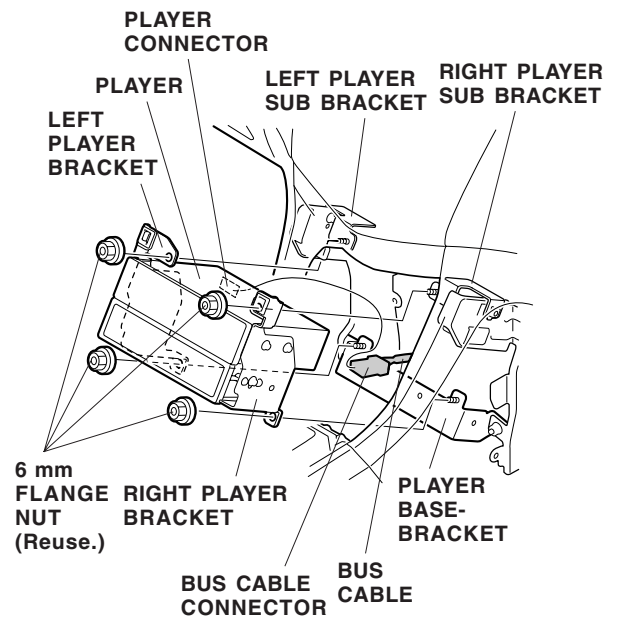


- Remove the four 6 mm flange nuts that fasten the player and pocket. Remove the player and pocket by pulling it out toward you, and unplugging the player BUS cable connector.

Without XM radio:



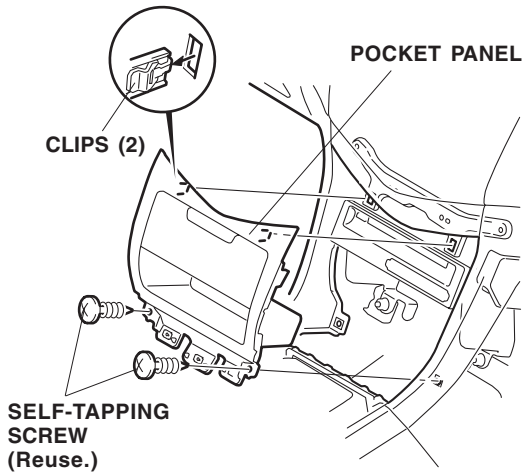
With XM radio:



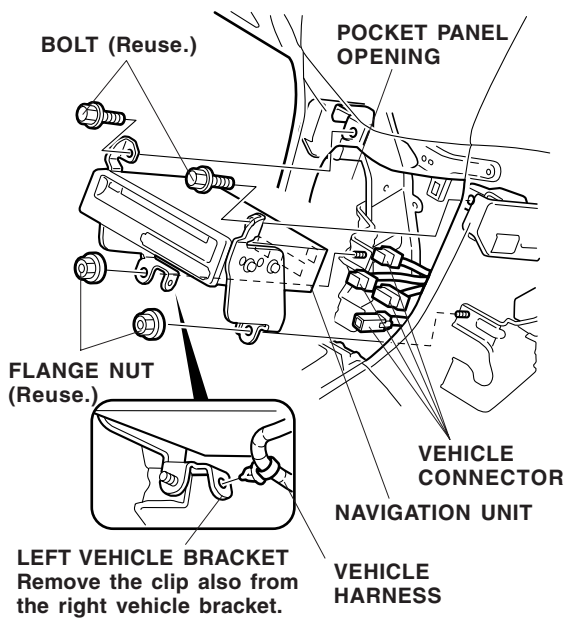
8. Remove the navigation unit:

With Navigation System

- Remove the two self-tapping screws from the lower part of the pocket panel.
- Release the two clips and remove the pocket panel.



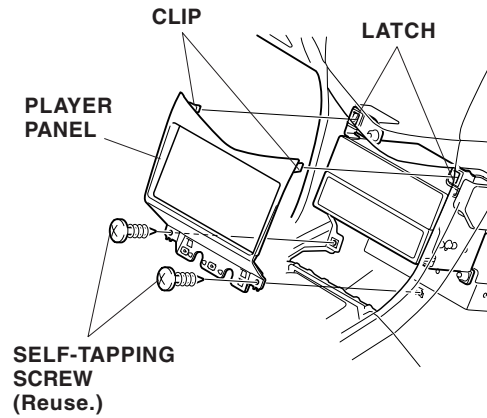
- Remove the two flange nuts and the two bolts and pull out the navigation unit toward you to release the vehicle harness from the left and right vehicle bracket.



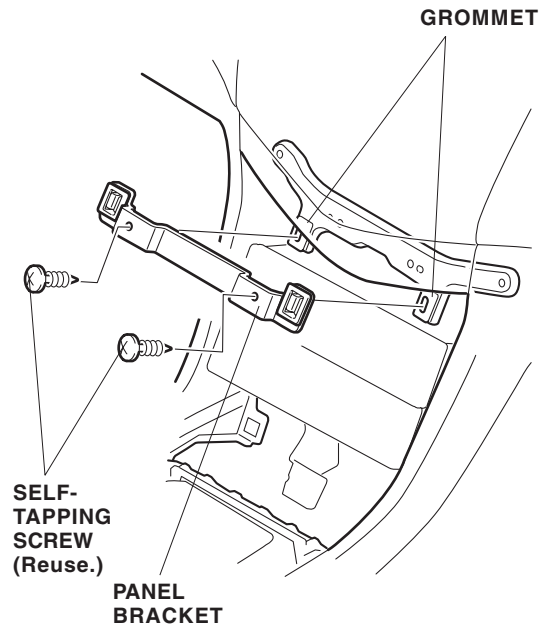
- Disconnect the vehicle connectors from the rear of the navigation unit, and remove the navigation unit from the pocket panel opening.

With Navigation System and Audio Unit

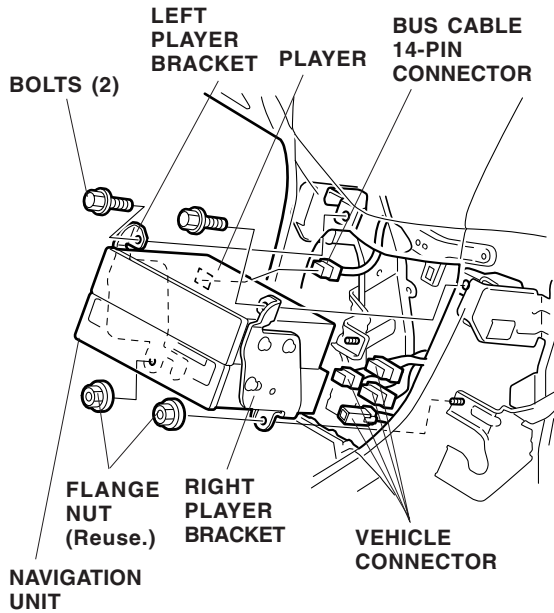
- Remove the player panel by removing the two self-tapping screws and two clips.



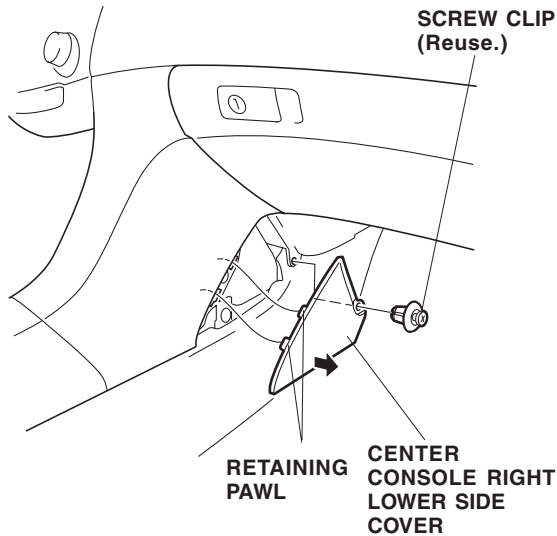
- Remove the panel bracket by removing two self-tapping screws.



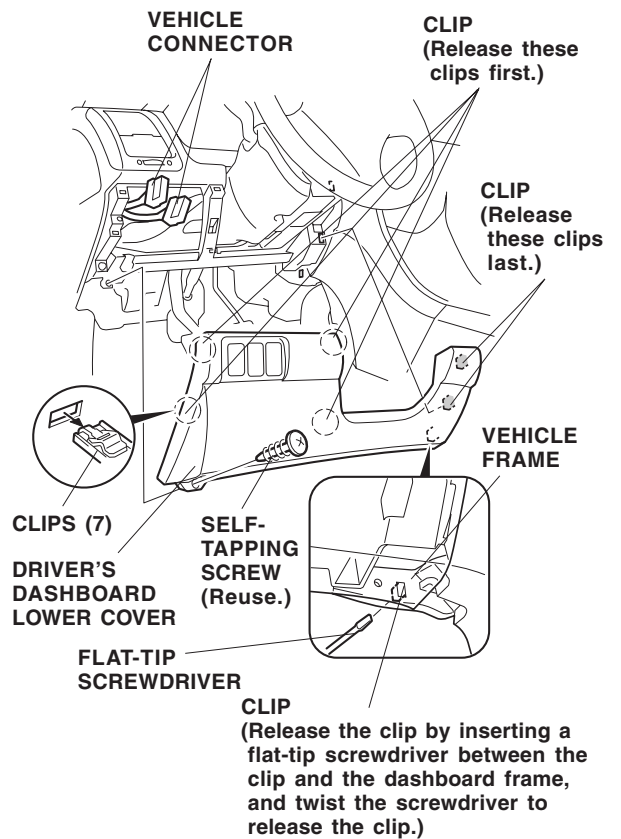
- Remove the two 6 mm flange nuts and the two bolts that fasten the player and pocket. Remove the player and navigation unit by pulling it out toward you, then unplug the player BUS cable connector and vehicle connectors.



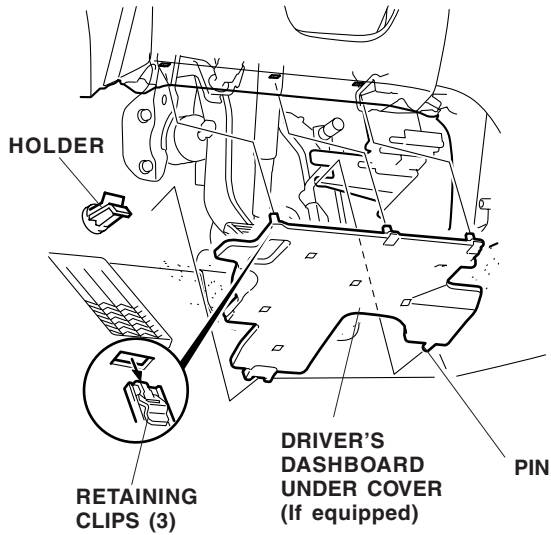
- Remove the center console right lower side cover (one screw clip and two retaining pawls).



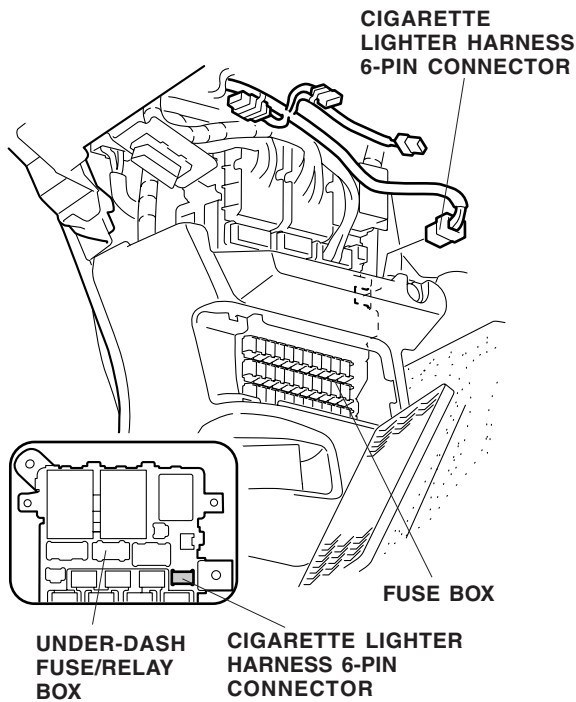
- Remove the driver's dashboard lower cover:
 - Remove the one self-tapping screw.
 - Release the four clips on the left side first by pulling out on the driver's dashboard lower cover.
 - After releasing the four clips, insert a flat-tip screwdriver between the clip and the dashboard frame. Gently twist the screwdriver to release the clip.
 - Release the two clips on the right side.
 - Unplug the vehicle connectors, and remove the lower cover.



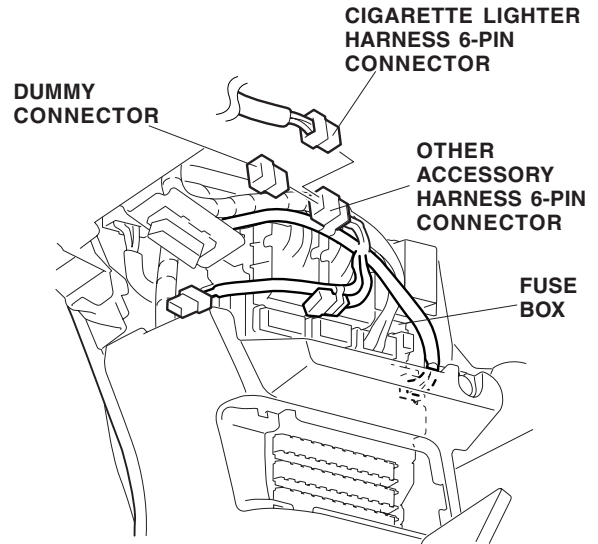
- If equipped, remove the driver's dashboard under cover (three clips, one pin and one holder).



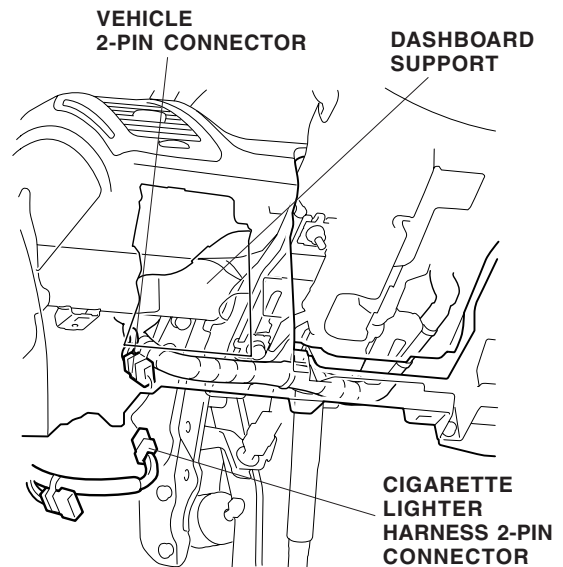
- Plug the cigarette lighter harness 6-pin connector into the under-dash fuse/relay box.



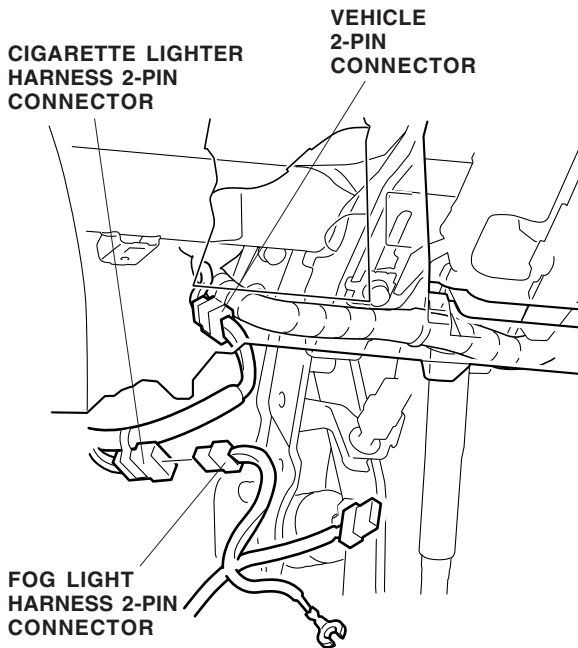
NOTE: If the 6-pin connector is already being used by another accessory, locate the 6-pin connector taped to that other accessory's harness. Remove the dummy connector from the other accessory's harness. Plug the cigarette lighter harness 6-pin connector into the other accessory's harness.



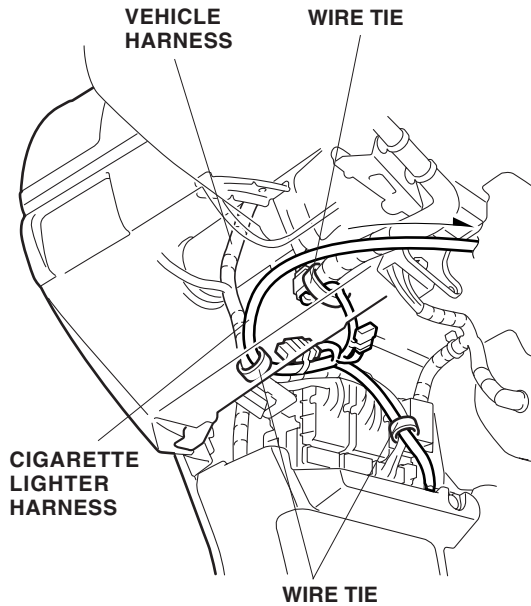
- Locate the 2-pin connector blue-taped to the vehicle harness behind the dashboard support, and connect the cigarette lighter harness 2-pin connector to the 2-pin connector taped to the vehicle harness.



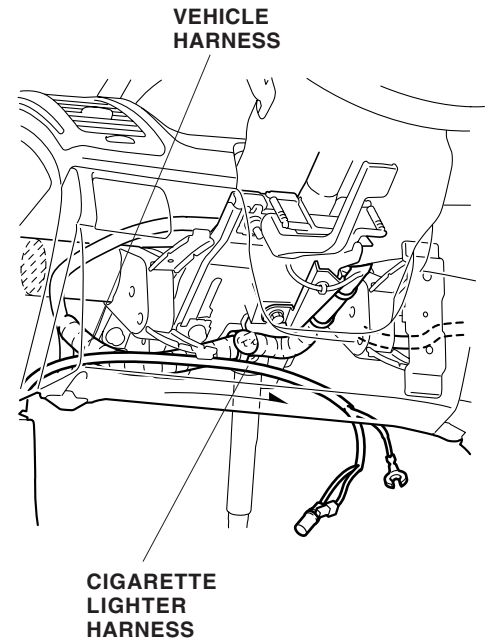
NOTE: If you are also installing fog lights, remove the fog light harness 2-pin connector from the vehicle 2-pin connector, and connect the cigarette lighter harness 2-pin connector in between.



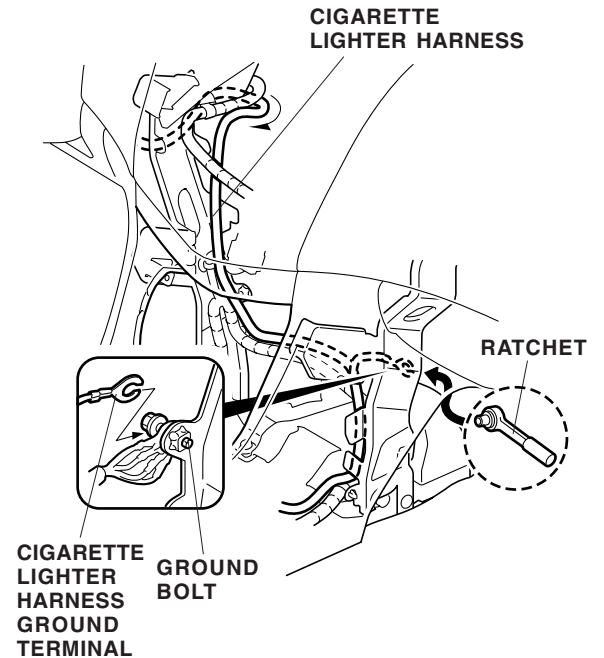
- Secure the cigarette lighter harness to the vehicle harness with three wire ties.



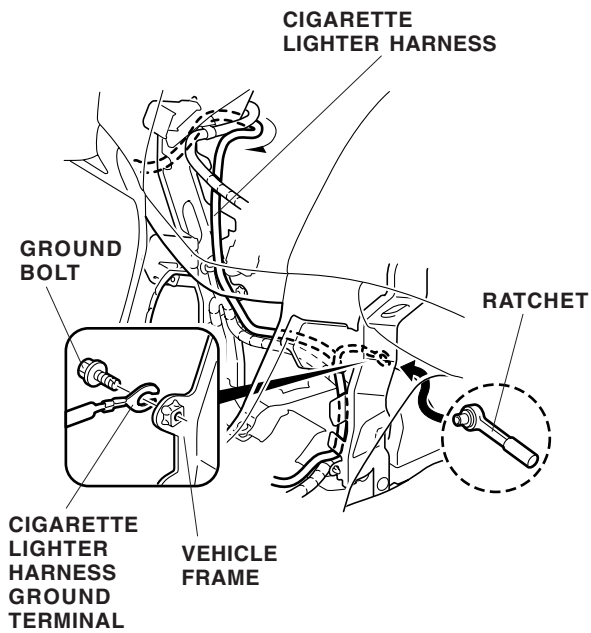
- Route the cigarette lighter harness along the vehicle harness as shown.



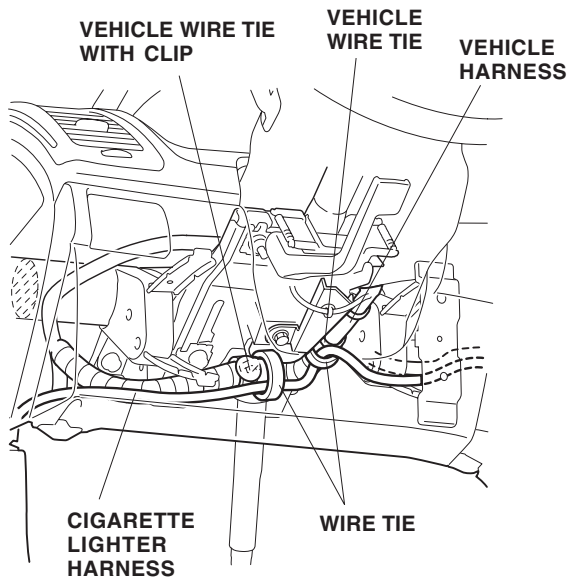
- With a vehicle ground terminal, route the cigarette lighter harness as shown. Loosen the ground bolt, and attach the ground terminal of the cigarette lighter harness with this bolt. Tighten the ground bolt.



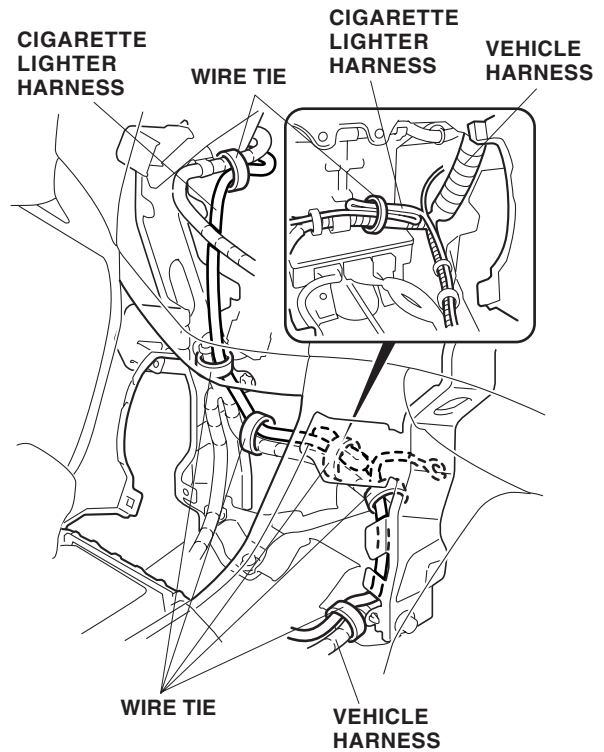
17. Without vehicle ground terminal, attach the cigarette lighter harness ground terminal to the vehicle frame with the ground bolt in the kit.



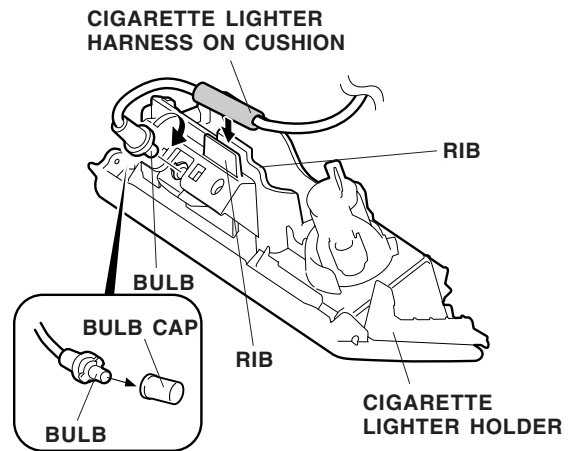
18. Secure the cigarette lighter harness to the vehicle harness with two wire ties.



19. Secure the cigarette lighter harness to the vehicle harness with five wire ties and loop the excess cigarette lighter harness and secure it to the vehicle harness with a wire tie.

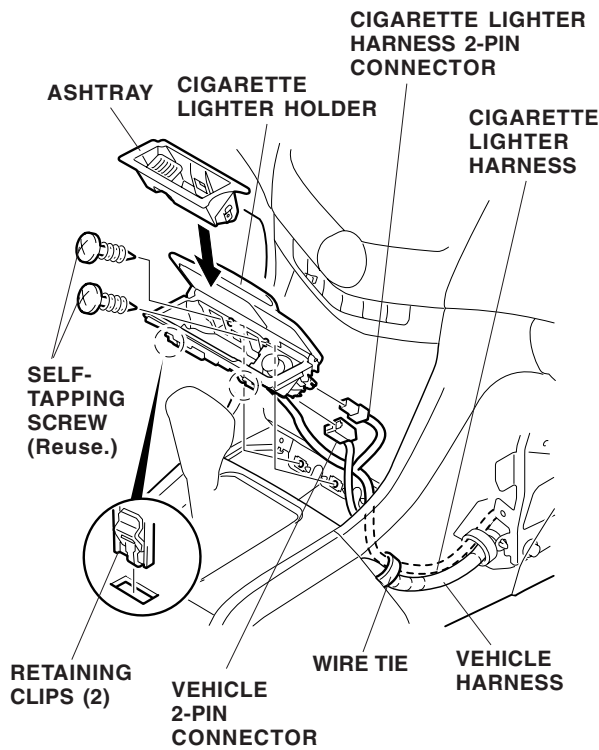


20. Remove the bulb cap, then insert and turn the bulb on the cigarette light harness into the hole of the cigarette lighter holder.



21. Insert the cushion on the cigarette lighter harness between the ribs on the holder. Reinstall the console inner cover, and the center pocket or navigation unit.

22. Plug the 2-pin connector of the cigarette lighter harness and vehicle 2-pin connector to the cigarette lighter holder. Secure the cigarette lighter harness to the vehicle harness with one wire tie.



23. Install the cigarette lighter holder to the center console with the two self-tapping screws and two retaining clips. Install the ashtray into the cigarette lighter holder.
 24. Check that all wire harnesses are routed properly and all connectors are plugged in.
 25. Reinstall all removed parts. Check that all clip and fasteners are installed securely.
 26. Reconnect the negative cable to the battery.
 27. Reset the clock, and reset the radio station presets. If equipped, enter the navigation code.
 28. If the IMA battery level gauge (BAT) displays zero segments, start the engine, and hold it between 3,500 rpm and 4,000 rpm (in Park or Neutral) until the IMA battery level displays at least three segments.
 29. Test the operation of the cigarette lighter.
- NOTE:** Whenever the battery is disconnected, the driver's window AUTO function is disabled.
30. Start the engine. Push down on the driver's window switch until the window is fully open.
 31. Pull up on the driver's window switch to close the window completely, then hold the switch for a second or 2 more.
 32. Test the window AUTO function.