



**INSTALLATION  
INSTRUCTIONS**

Accessory

**SUBWOOFER**

Application

**2003-2004 PILOT  
(LX only)**

Publications No.

**All 25876**

Issue Date

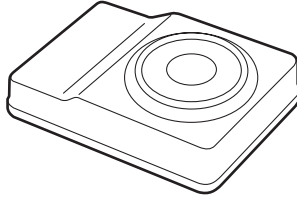
**AUG 2003**

The subwoofer cannot be installed on a vehicle equipped with a navigation unit.

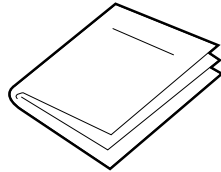
**PARTS LIST**

**Compact Subwoofer Kit:  
P/N 08A39-5E1-010**

Subwoofer

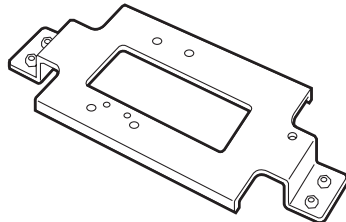


Owner's manual

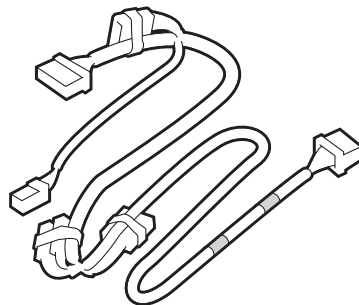


**Subwoofer Attachment Kit:  
P/N 08B39-S9V-100**

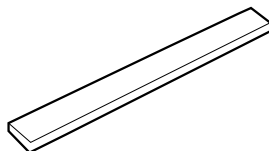
Subwoofer bracket



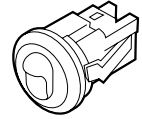
Subwoofer harness



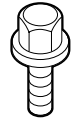
3 Cushions



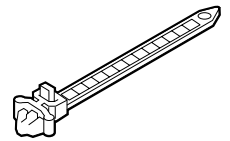
Subwoofer switch



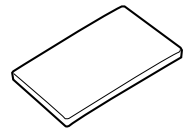
4 Flange bolts, 6 x 12 mm



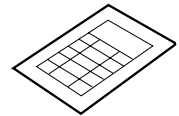
8 Wire ties with clip



3 Cushion tapes



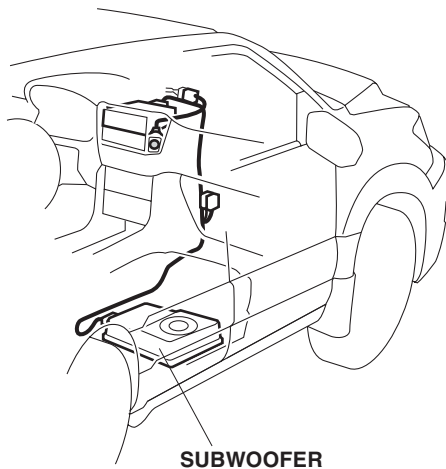
Fuse seal



## TOOLS AND SUPPLIES REQUIRED

#2 Phillips screwdriver  
Flat-tip screwdriver  
Stubby Phillips screwdriver  
8 mm, 10 mm, and 14 mm Combination wrenches  
8 mm, 10 mm, and 14 mm Sockets  
Felt-tip pen  
Awl  
Drill  
3 mm drill bit  
Isopropyl alcohol  
Tape measure  
Center punch  
Ratchet  
Torque wrench  
Shop towel  
Diagonal cutters  
Utility knife  
13/16" (20 mm) Hole saw  
Available through the Honda tool and equipment program at (888) 424-6857  
Hole saw 13/16" (20 mm) P/N: LHS26D  
Arbor P/N: LHS1C

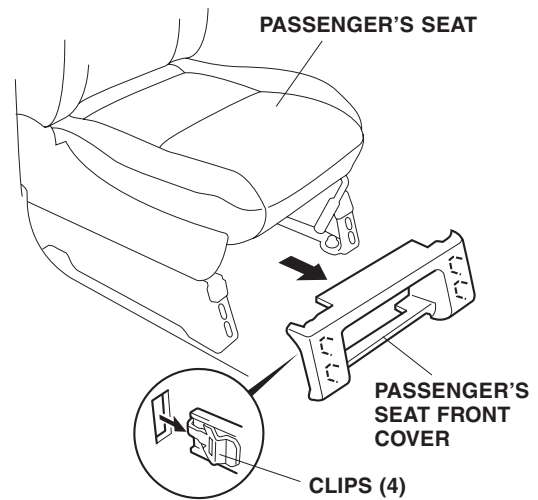
## Illustration of the Subwoofer Installed on the Vehicle



## INSTALLATION

**Customer Information:** The information in this installation instruction is intended for use only by skilled technicians who have the proper tools, equipment, and training to correctly and safely add equipment to your vehicle. These procedures should not be attempted by "do-it-yourselfers."

1. Make sure you have the anti-theft code for the radio, then write down the frequencies for the preset buttons.
2. Disconnect the negative cable from the battery.
3. Remove the passenger's seat front cover (pull to release the four clips).



4. Remove the passenger's seat rear cover (pull to release the four clips).

