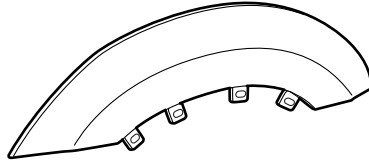
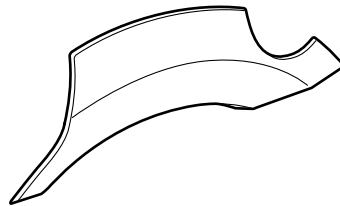


PARTS LIST

Left front fender flare



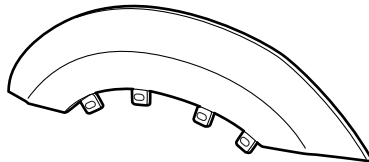
Left rear fender flare



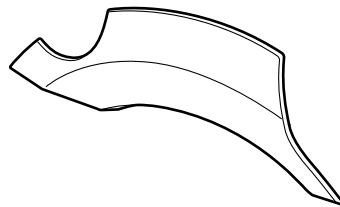
Left rear door flare



Right front fender flare



Right rear fender flare



Right rear door flare

**TOOLS AND SUPPLIES REQUIRED**

Stubby Phillips screwdriver

Phillips screwdriver

Flat-tip screwdriver

Ratchet

10 mm Socket

Isopropyl alcohol

Shop towel

Masking tape

INSTALLATION

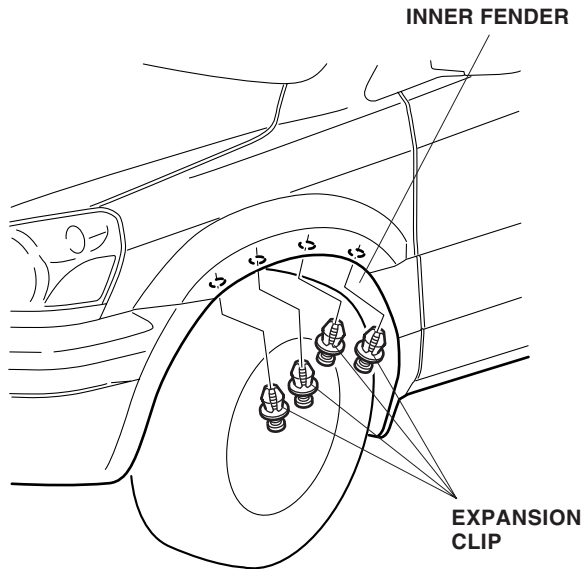
Customer Information: The information in this installation instruction is intended for use only by skilled technicians who have the proper tools, equipment, and training to correctly and safely add equipment to your vehicle. These procedures should not be attempted by "do-it-yourselfers."

NOTE:

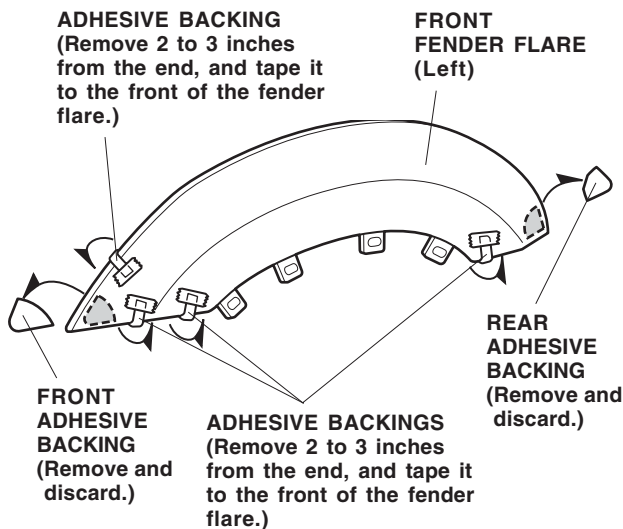
- This fender flare kit cannot be installed if the vehicle you are working on is equipped with a full nose mask.
- Be careful not to damage the finished surfaces of the body when installing the fender flares.
- This fender flare kit should be installed only when the ambient air temperature is 60°F (15°C) or above.
- To allow the adhesive to "cure," do not wash the vehicle for 24 hours.
- These instructions show the left fender flares being installed; the same procedure applies to installing the right fender flares.

Installing the Front Fender Flare

1. Remove the left front inner fender (four clips).

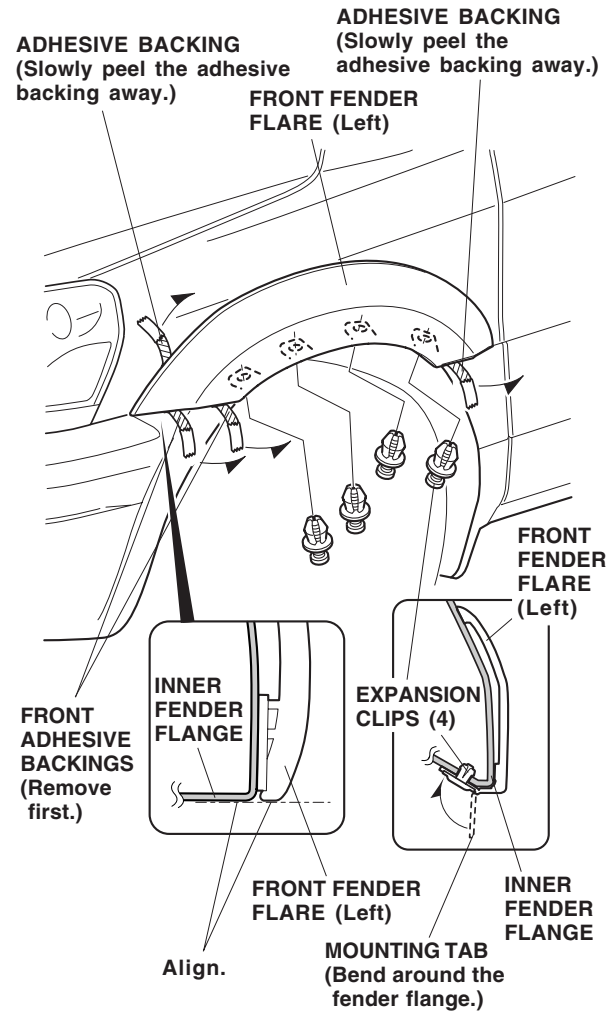


2. On the inside of the left fender flare, attach a strip of masking tape to the end of each adhesive backing, and remove 2 to 3 inches of the adhesive backing. Fold the ends back, and tape them to the exterior of the fender flare. Remove and discard the front and rear corner adhesive backings.



3. Using isopropyl alcohol on a shop towel, thoroughly clean the front fender where the fender flare will attach.

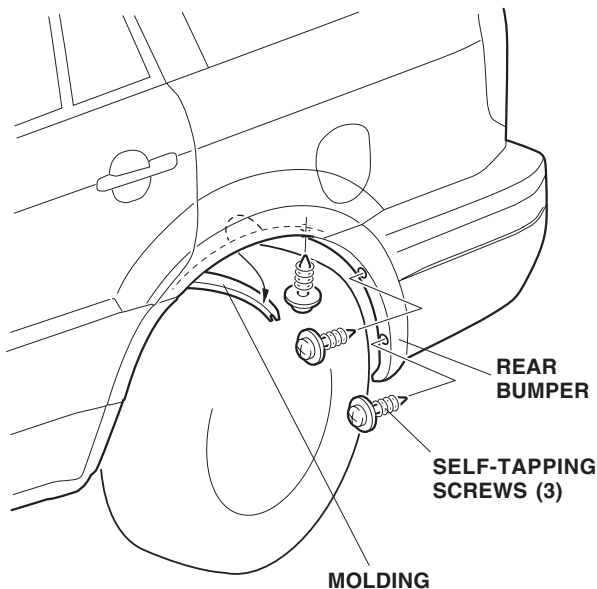
4. Align the ends of the front fender flare with the front end of the front fender, and bend the mounting tabs around the fender flange.



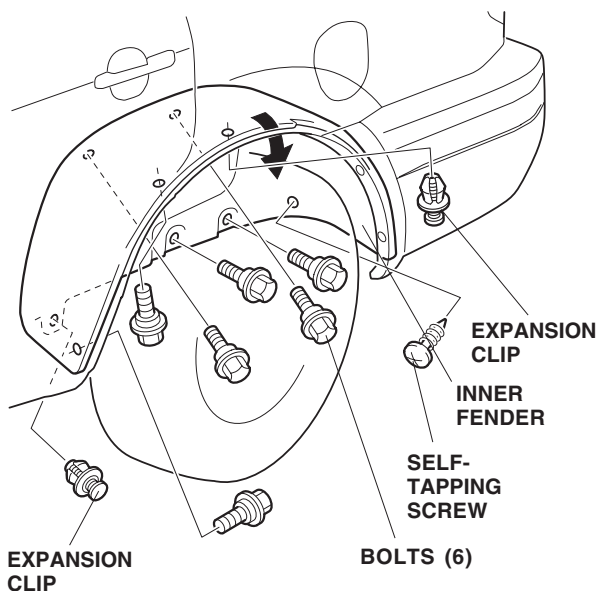
5. Install the four expansion clips through the holes in the fender flare and fender flange.
6. Remove the adhesive backings from the fender flare:
 - Start with the front adhesive backing.
 - Slowly and carefully peel the adhesive backing from the fender flare.
 - After removing all of the adhesive backings, press the fender flare firmly against the fender with the palm of your hand for 30 seconds, particularly at the edges.

Installing the Rear Fender Flare

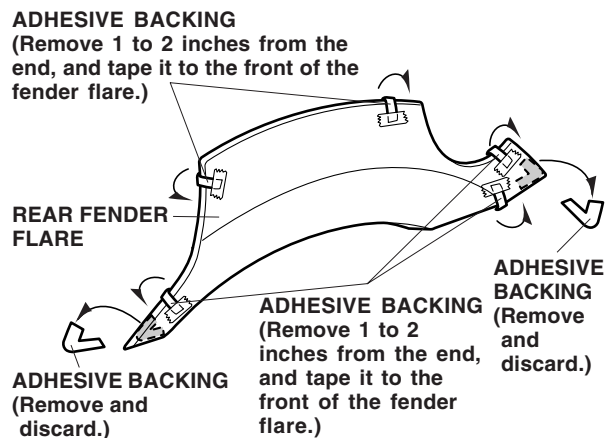
- Remove the molding from the inner fender flange in the area shown.



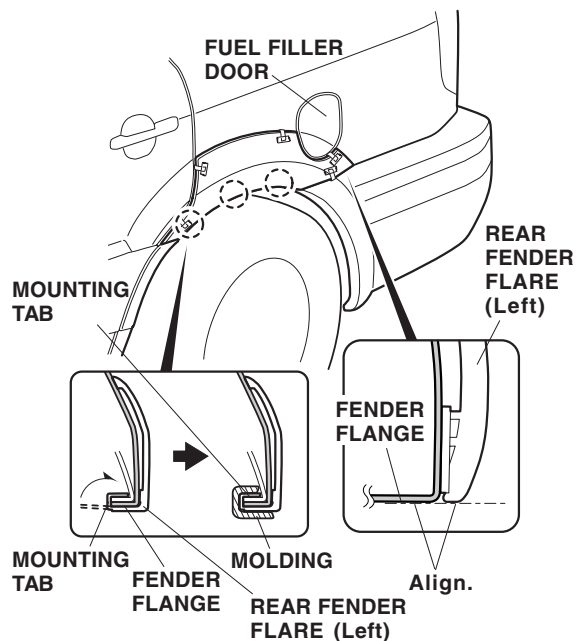
- Remove the three self-tapping screws that fasten the rear bumper.
- Remove the six bolts, the two expansion clips, and the self-tapping screw that secure the inner fender. Rest the inner fender on the rear tire.



- On the inside of the rear fender flare, attach a strip of masking tape to the end of each outer adhesive backing, and remove 1 to 2 inches of the adhesive backing. Fold the ends back, and tape them to the exterior of the fender flare. Remove and discard the front and rear corner adhesive backings.

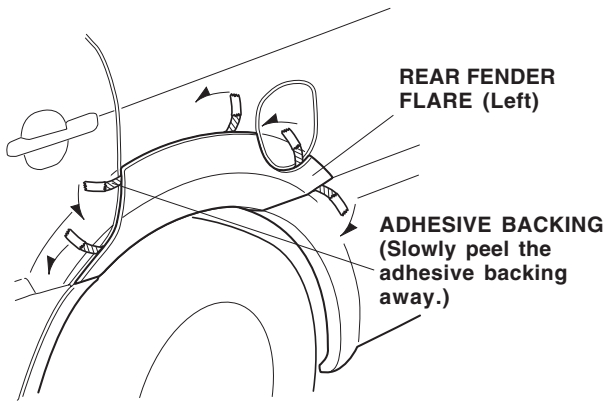


- Using isopropyl alcohol on a shop towel, thoroughly clean the area where the rear fender flare will attach.
- Position the rear fender flare on the rear fender, and align it with the rear ends of the rear fender and the fuel filler door. Bend the mounting tabs around the fender flange.



- Open and close the fuel filler door, and check that it does not interfere with the rear fender flare.
- Reinstall the molding over the rear fender and fender flange.

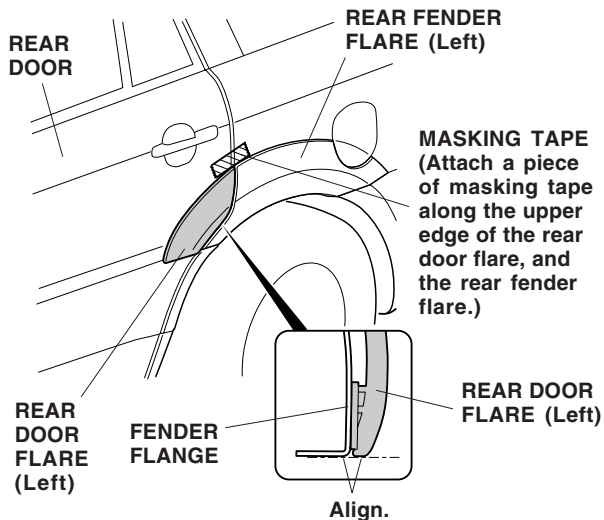
15. Remove the adhesive backings from the rear fender flare:
 - Slowly and carefully peel the adhesive backing from the rear fender flare.
 - After removing all of the adhesive backings, press the rear fender flare firmly against the fender with the palm of your hand for 30 seconds, particularly at the edges.



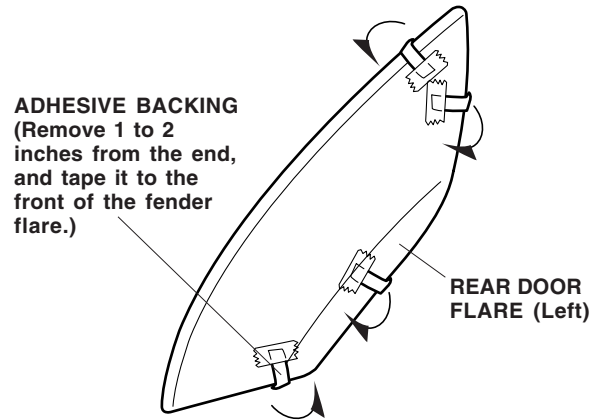
16. Reinstall the inner fender. Reinstall the molding onto the fender flange without disturbing the rear fender flare.

Installing the Rear Door Flare

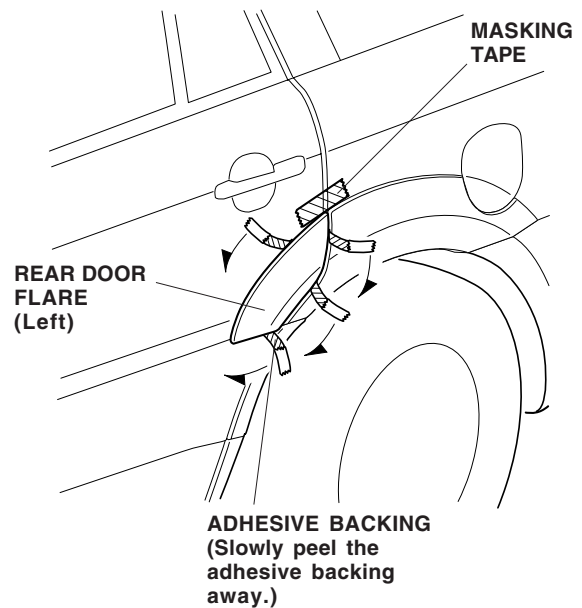
17. Using isopropyl alcohol on a shop towel, thoroughly clean the area where the rear door flare will attach.
18. Position the rear door flare on the rear door, and align its upper edge with the upper edge of the rear fender flare. As a guide, attach a piece of masking tape to the door along the upper edge of the rear fender flare and the rear door flare.



19. On the inside of the rear door flare, attach a strip of masking tape to the end of each outer adhesive backing, and remove 1 to 2 inches of the adhesive backing. Fold the ends back, and tape them to the exterior of the fender flare.



20. Reposition the rear door flare on the rear door along the piece of masking tape, and remove the adhesive backings from the rear door flare:
 - Slowly and carefully peel the adhesive backing from the rear door flare.
 - After removing all of the adhesive backings, press the rear door flare firmly against the rear door with the palm of your hand for 30 seconds, particularly at the edges.



21. Remove the masking tape.
22. Repeat steps 1 through 21 to install the fender flares on the right side of the vehicle.