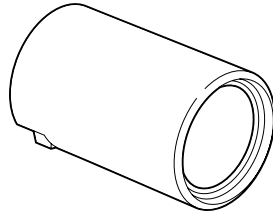
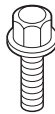


**PARTS LIST**

2 Exhaust pipe finishers



2 Flange bolts

**TOOLS REQUIRED**

10 mm Socket

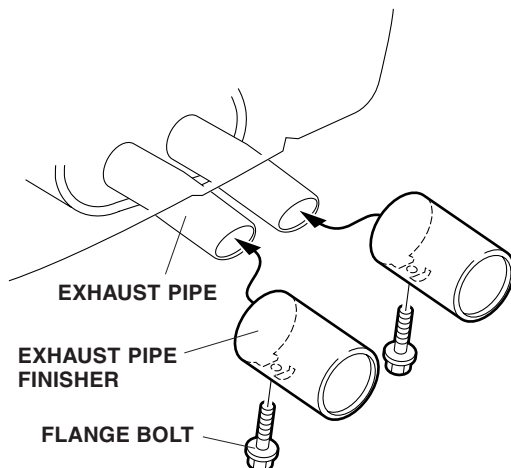
Torque wrench

Rubber mallet

**INSTALLATION****NOTE:**

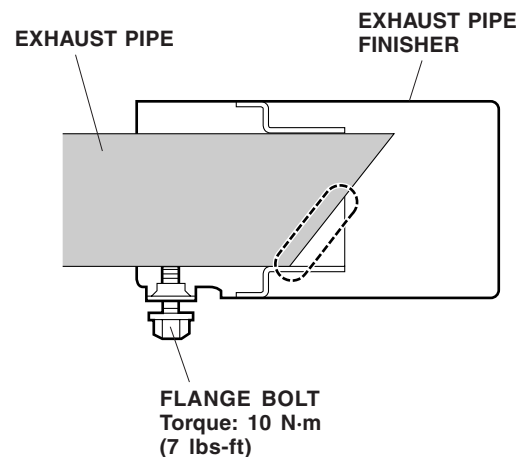
- Allow the exhaust pipe to cool down before you install the exhaust pipe finisher.

1. Partially thread the flange bolts into the exhaust pipe finishers.



2. With the flange bolts facing down, slide the exhaust pipe finishers onto the exhaust pipes until they bottom. If necessary, use a rubber mallet to tap the exhaust pipe finishers into place.

3. While pushing the exhaust pipe finisher firmly against the exhaust pipe, tighten the flange bolt. Torque the flange bolt to 10 N·m (7 lbs-ft.). Repeat for the second exhaust pipe finisher.



4. Start the engine and rev it up a few times. Listen for vibration from the exhaust pipe finishers and adjust if necessary.