



INSTALLATION INSTRUCTIONS

Accessory
IN-VEHICLE ENTERTAINMENT SYSTEM (DVD BASED) (EX-L)

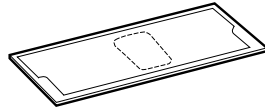
Application
2004-2005 PILOT

Publications No.
All 28067
Issue Date
SEP 2004

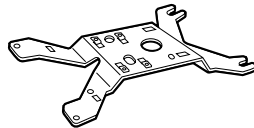
PARTS LIST

**DVD Monitor Kit
P/N 08B23-S9V-100**

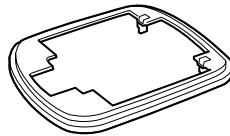
Template



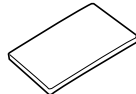
Monitor bracket



Monitor trim ring



2 Cushion tapes

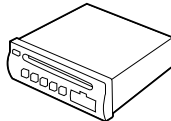


4 Washer bolts, 6 x 12 mm

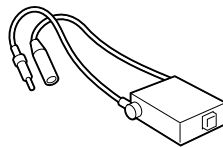


**i-VES DVD Base Unit Kit
P/N 08A23-9E1-010**

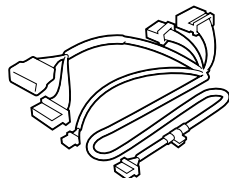
DVD player



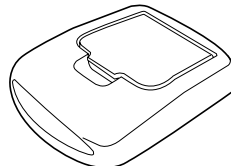
FM modulator



i-VES harness



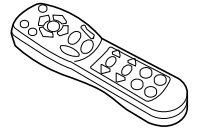
Monitor console



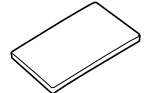
2 Headphones



Remote control



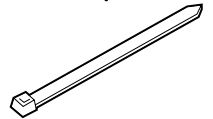
3 Cushion tapes



4 Self-tapping screws, 4 x 19 mm



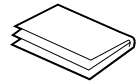
10 Wire ties



4 Washer bolts, 5 x 12 mm

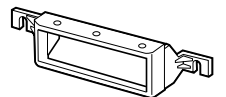


Owner's Manual



**DVD DIN Bezel Kit
P/N 08B23-S9V-100A**

DIN bezel



**EX-L Installation Kit
Kit Number ***-5652**

Screw grommet



Self-tapping screw



2 Spring nuts (4mm)



2 Snap fitting clips



Socket cover



Accessory power socket



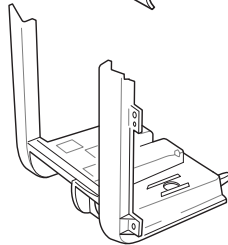
Socket cover cap



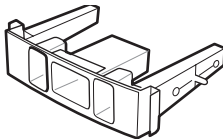
Protector



Center Cover



Seat heater switch pocket



TOOLS AND SUPPLIED REQUIRED

Phillips screwdriver

Flat-tip screwdriver

Ratchet

10 mm and 14 mm Sockets

T25 Torx wrench

Utility knife

Masking tape

Electrical tape

Shop towel

Piece of wire

Felt-tip pen

Isopropyl alcohol

Scissors

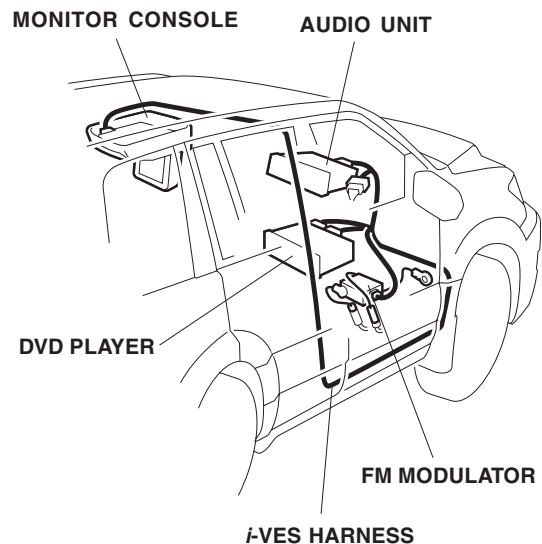
Tape measure

INSTALLATION

Customer Information: The information in this installation instruction is intended for use only by skilled technicians who have the proper tools, equipment, and training to correctly and safely add equipment to your vehicle. These procedures should not be attempted by “do-it-yourselfers.”

1. Make sure you have the anti-theft code for the radio, then write down the frequencies for the radio station preset buttons.
2. Disconnect the negative cable from the battery.

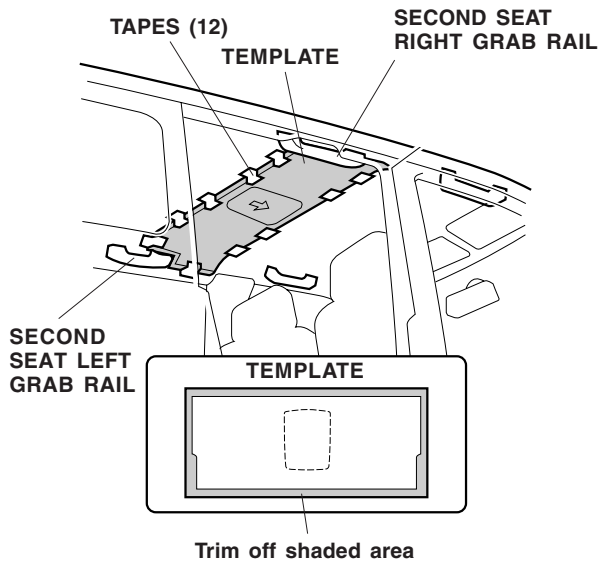
Illustration of *i*-VES Installed in the Vehicle



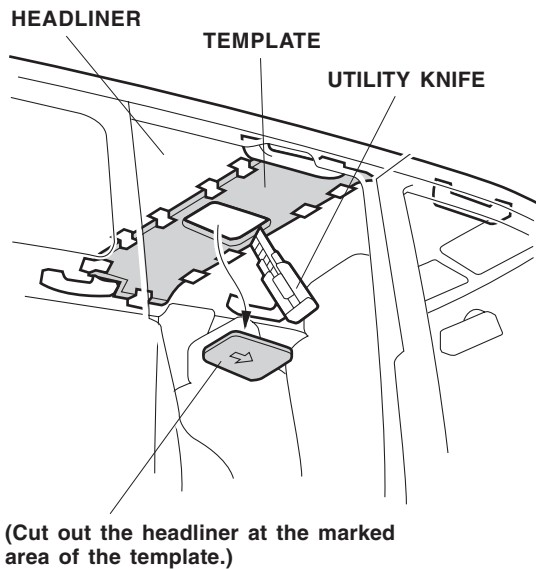
Cutting the Headliner

- Using scissors, cut out the marked areas from the template along the line. Position the template on the headliner, and align it with the left and right grab rails of the second seat. Tape the template to the headliner using strips of masking tape.

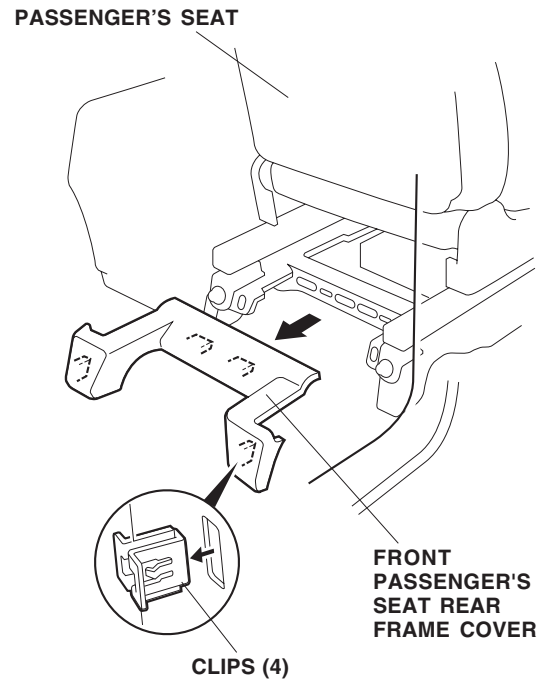
NOTE: If necessary, trim the template equally around the grab rails until it is flat against the headliner.



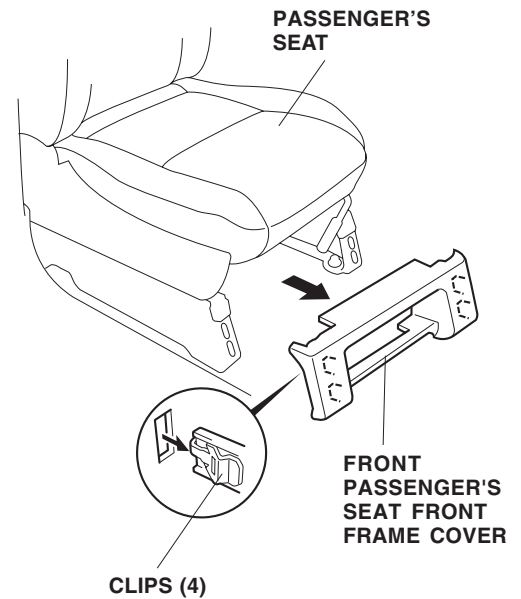
- Using a utility knife, cut out the headliner at the marked area of the template. Remove the template.



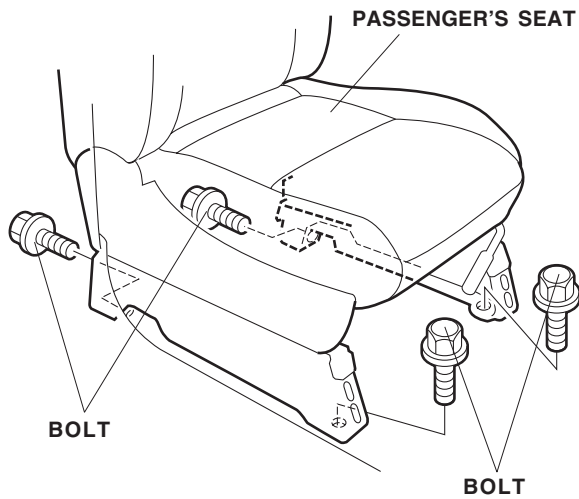
- Remove the front passenger's seat rear frame cover (four clips).



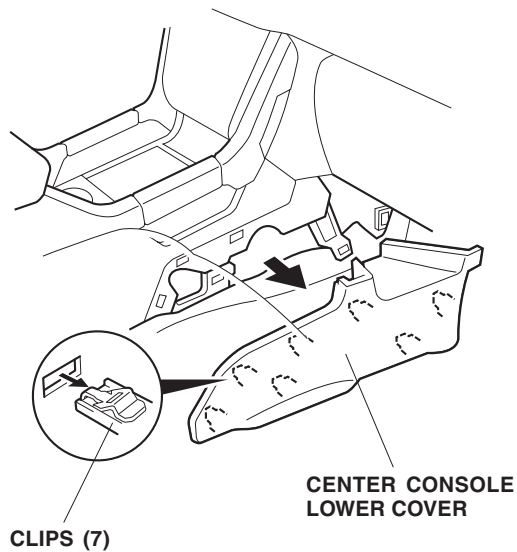
- Remove the front passenger's seat front frame cover (four clips).



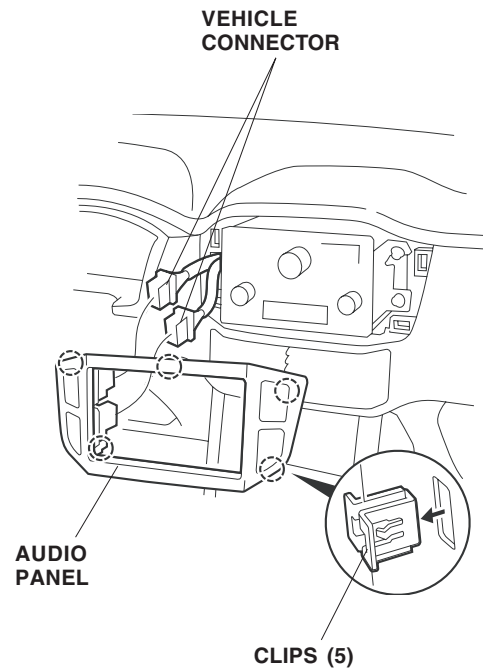
- Remove the four bolts that secure the passenger's seat side rail to the floor.



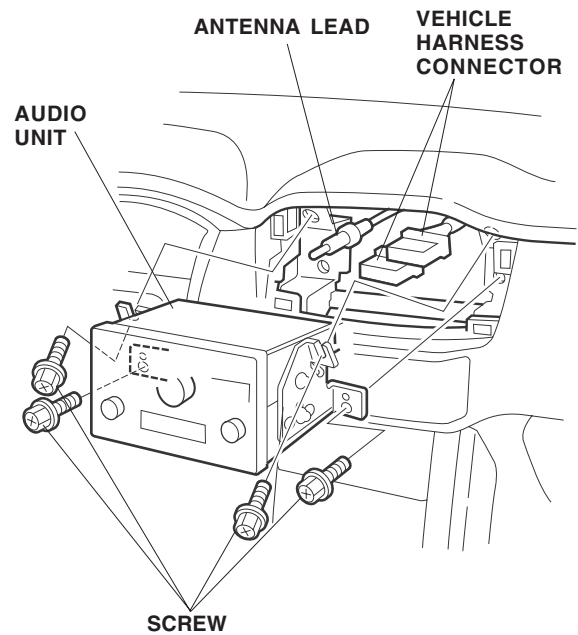
- Move the passenger's seat back and out of way.
- Remove the center console lower cover (seven clips).



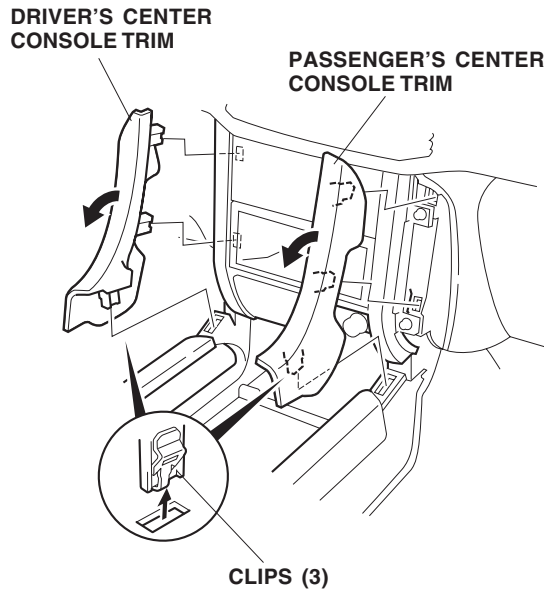
- Using a flat-tip screwdriver wrapped with a shop towel, gently pry out on the audio panel to remove the five clips. Unplug the vehicle connectors and remove the audio panel.



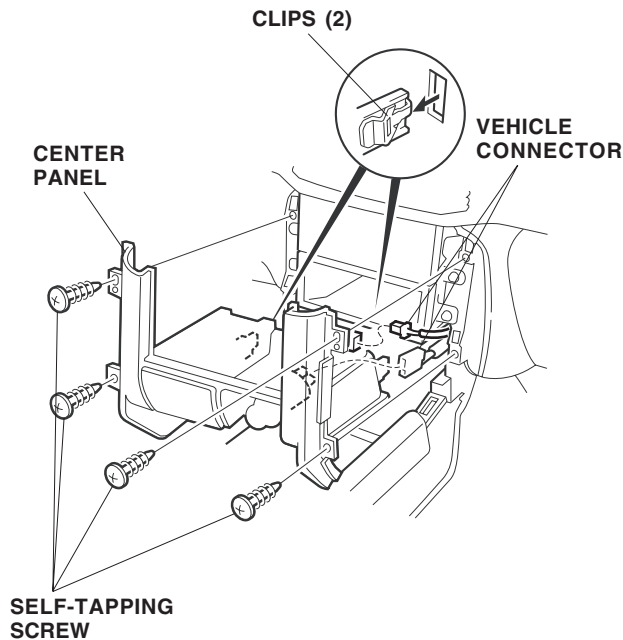
- Remove the audio unit (four screws, pull the audio unit out toward you; unplug the vehicle connector and the antenna lead).



- Remove the driver's and passenger's center console trim pieces (three clips each). Take care not to damage the clips.

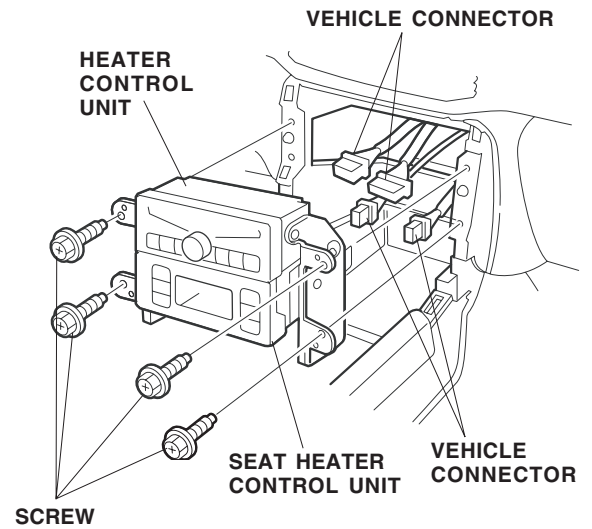


- Remove the four self-tapping screws that fasten the center console.

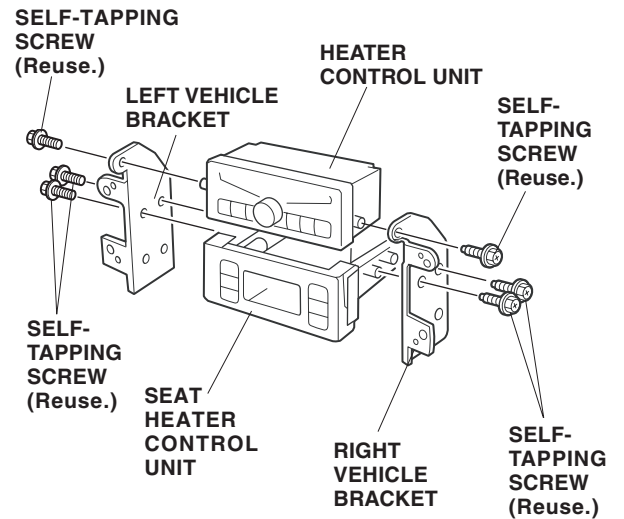


- Pull the center panel out toward you to release the two clips. Unplug the vehicle connectors from the accessory and illumination socket, and remove the center panel. Set the center panel aside; it will not be reinstalled.

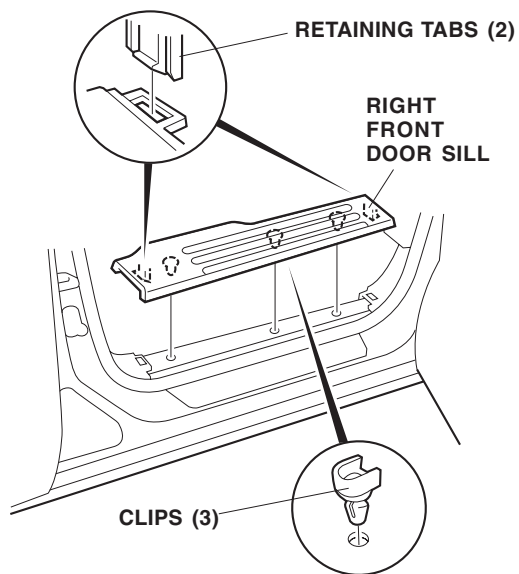
- Remove four screws that fasten the left and right vehicle brackets. Pull the seat heater control unit and the heater control unit out toward you; unplug the vehicle connectors.



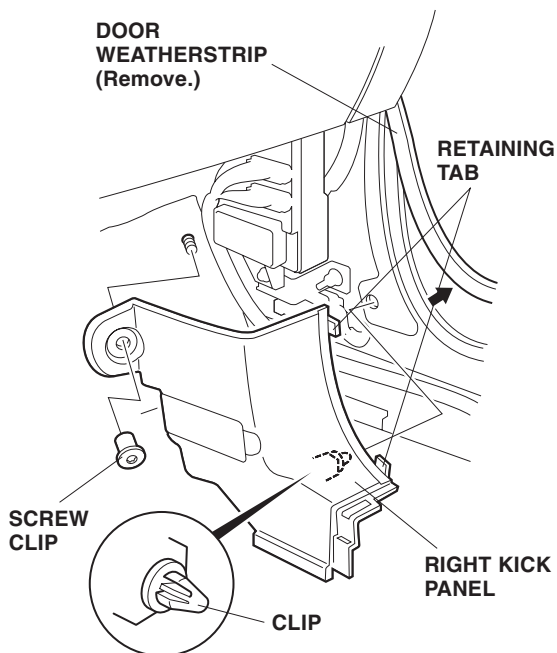
- Remove the left and right vehicle brackets (six self-tapping screws), separate the seat heater control unit from the heater control unit.



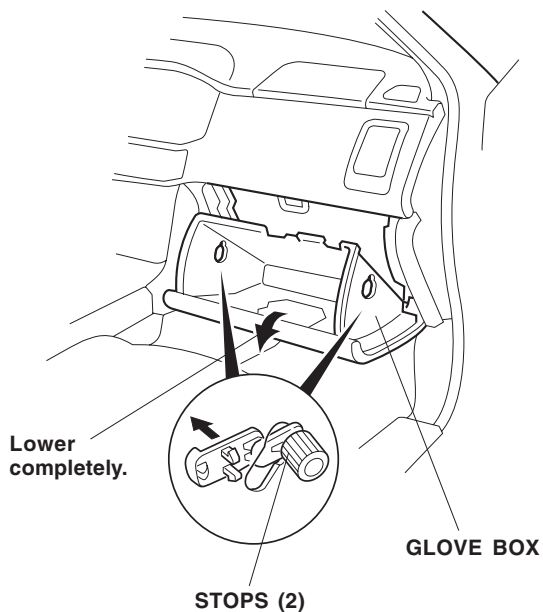
17. Pry up on the two retaining tabs and three clips, and remove the right front door sill.



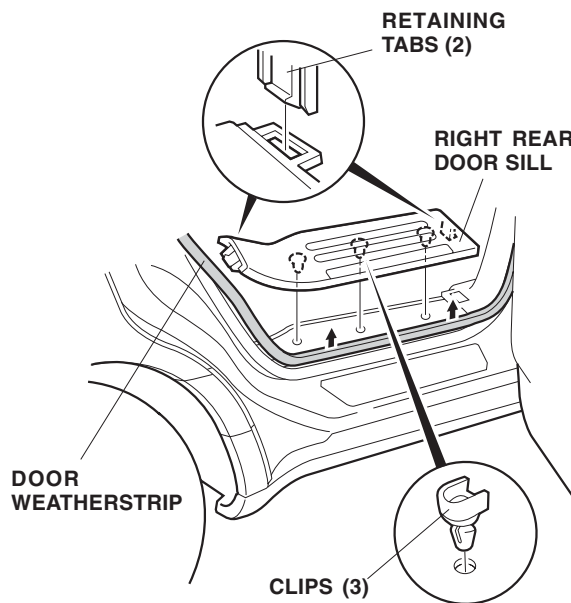
18. Remove the door weatherstrip. Remove the right kick panel by removing the screw clip and pulling it out toward you to release the clip.



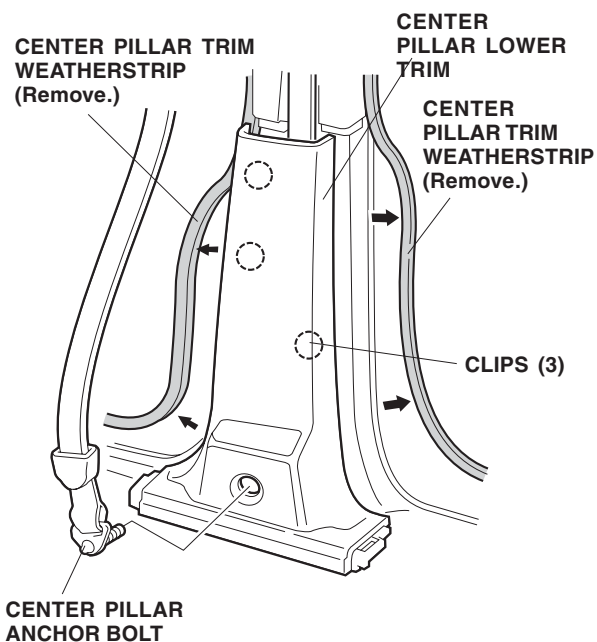
19. Open the glove box, then remove the right and left stops. Completely lower the glove box.



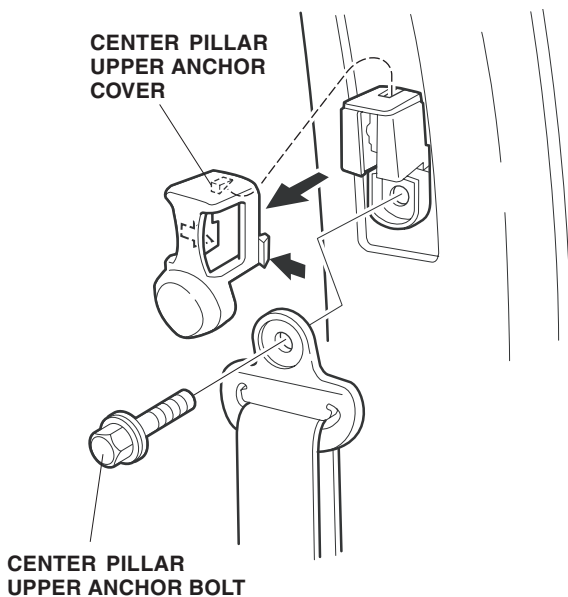
20. Remove the door weatherstrip from around the right rear door sill. Pry up on the right rear door sill to release the two retaining tabs and three clips, and remove the door sill.



21. Pull off the anchor bolt cap and slide it up; remove the center pillar lower anchor bolt.

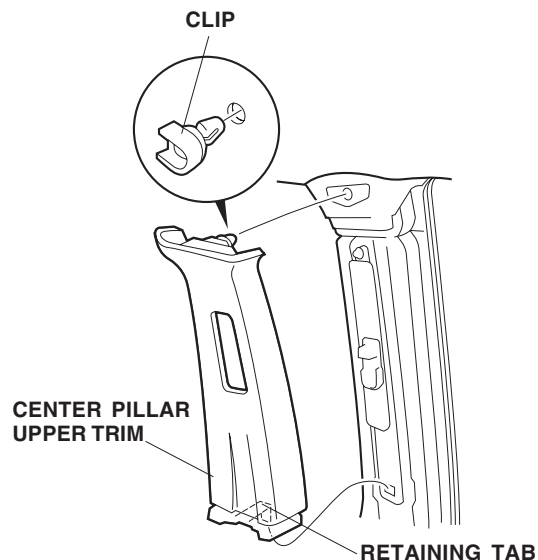


22. Remove the center pillar trim weatherstrip. Pull the center pillar lower trim out toward you to release the three clips, and remove the trim.
23. Remove the center pillar upper anchor cover (three retaining tabs).

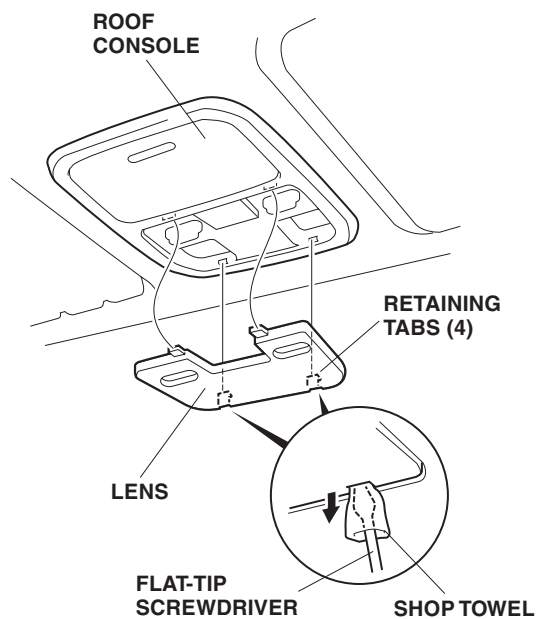


24. Remove the center pillar upper anchor bolt.

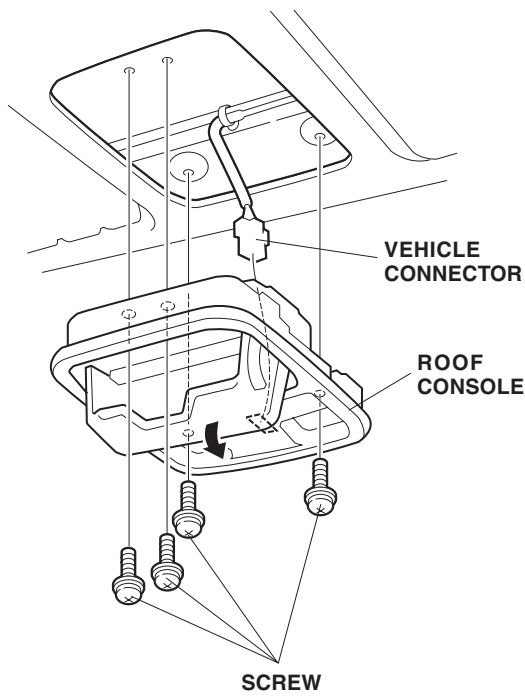
25. Remove the center pillar upper trim (pull the top out toward you to release the clip, then lift up to release the tab on the bottom).



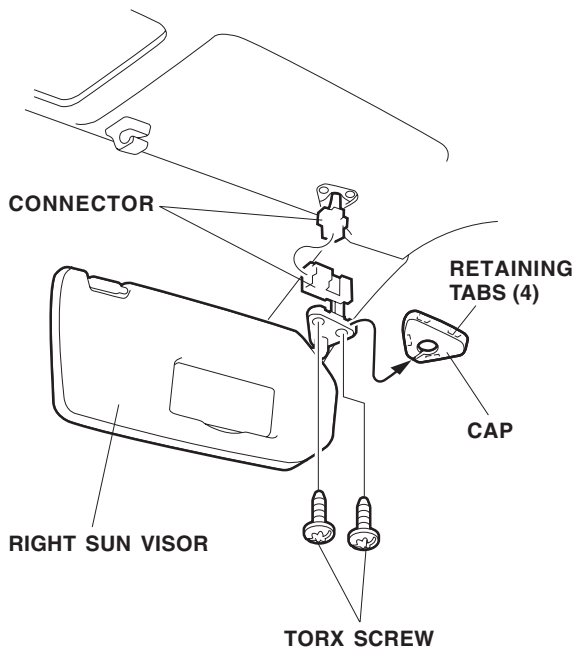
26. Remove the lens from the roof console (four retaining tabs).



27. Remove the roof console (four screws, and unplug the connector).

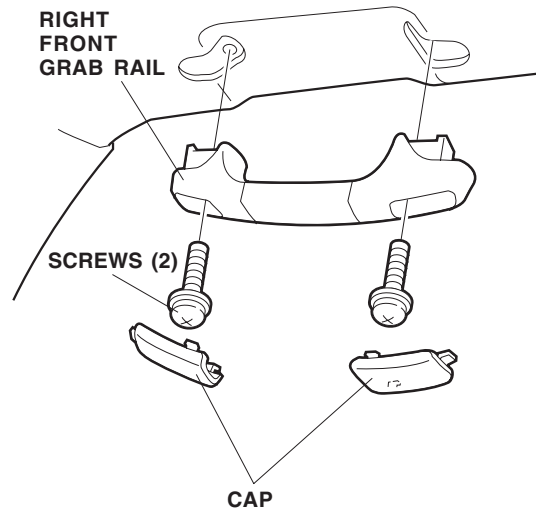


28. Remove the cap from the right sun visor (four retaining tabs).

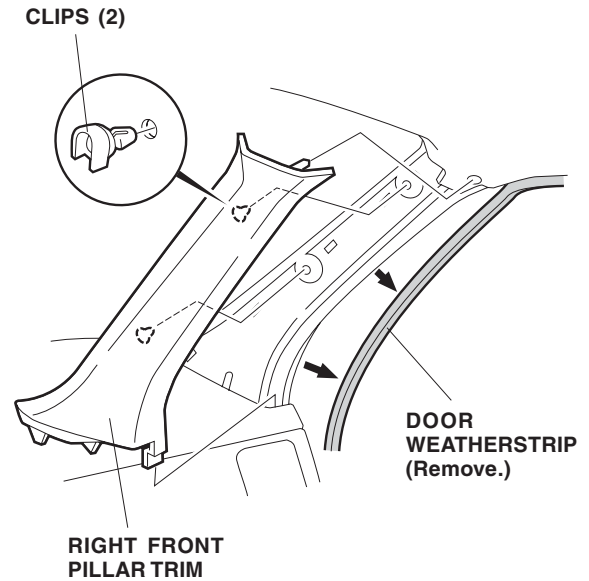


29. Remove the right sun visor (two Torx screws, and unplug the connector).

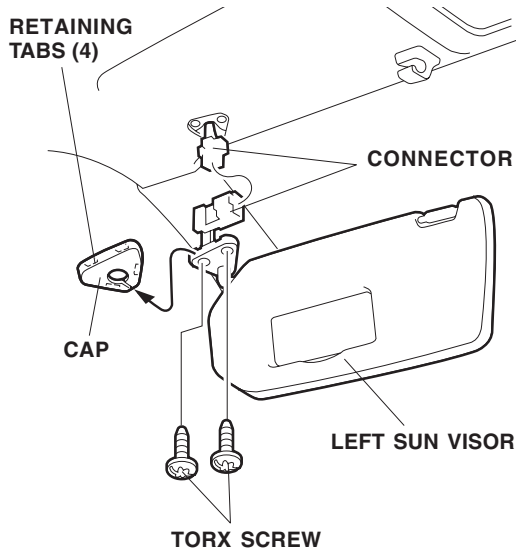
30. Remove the two caps from the right front grab rail, and remove the grab rail (two screws).



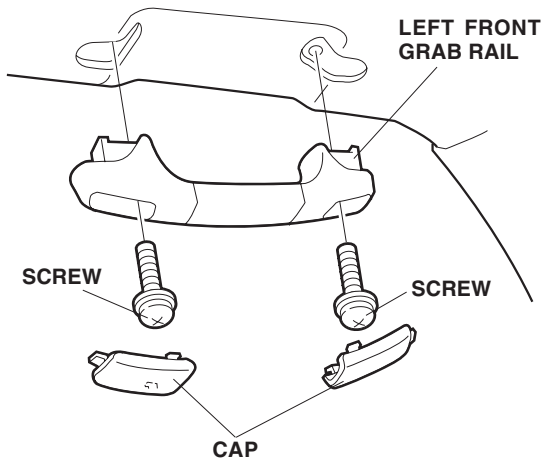
31. Remove the door weatherstrip from the right front pillar trim, then remove the right front pillar trim (two clips).



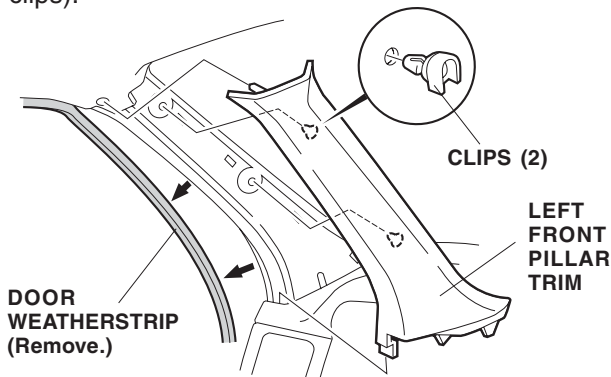
32. Remove the cap from the left sun visor (four retaining tabs).



33. Remove the left sun visor (two Torx screws, and unplug the connector).
34. Remove the two caps from the left front grab rail and remove the grab rail (two screws).



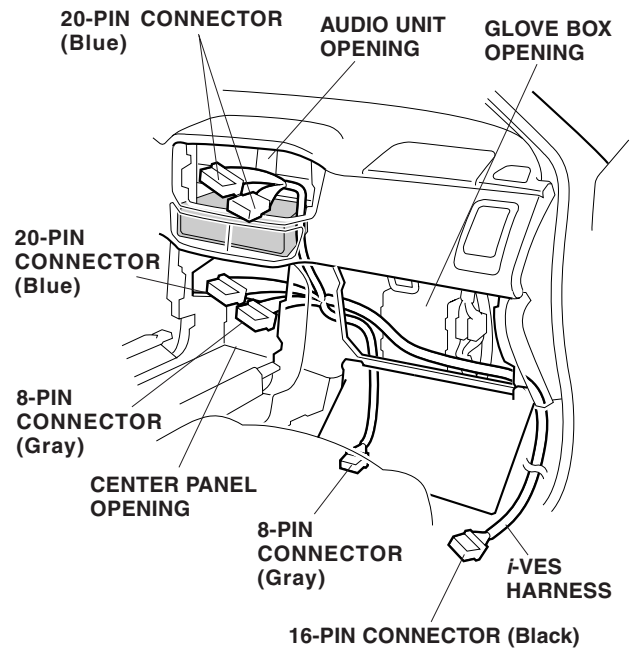
35. Remove the door weatherstrip from the left front pillar trim, then remove the left front pillar trim (two clips).



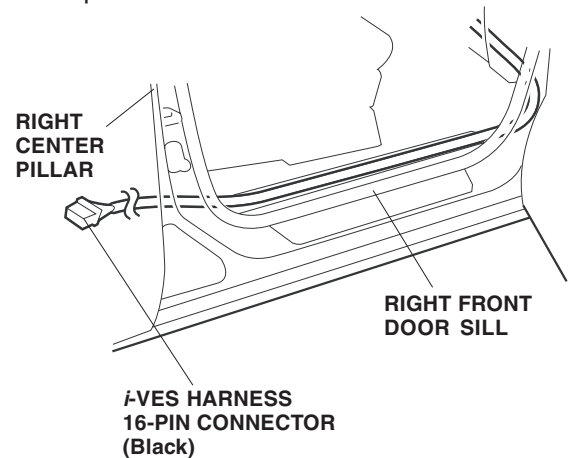
Routing the *i*-VES Harness and Installing the Monitor Console

36. Route the *i*-VES harness:

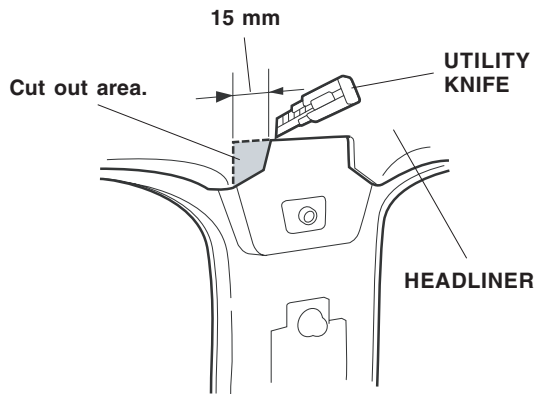
- Route the 20-pin connectors (blue) up from the center panel opening to the audio unit opening.
- Route the 16-pin connector (black) from the center panel opening, through the glove box opening to the right kick panel opening.
- Route the 8-pin connector (gray) from the center panel opening to the center console lower cover opening.



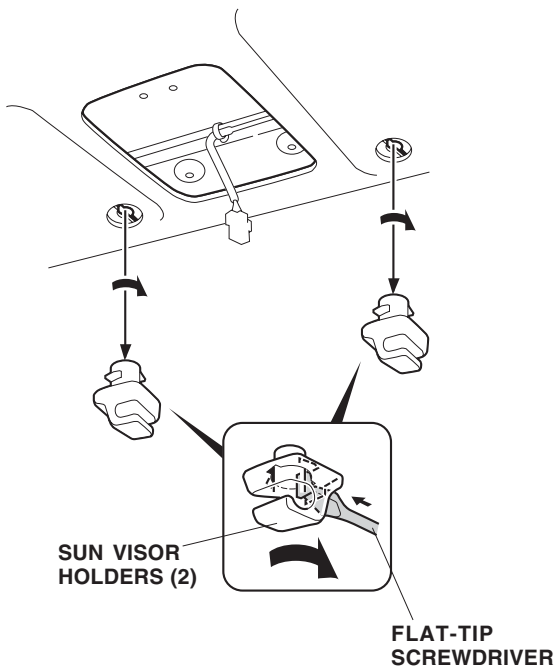
37. Route the *i*-VES harness 16-pin connector (black) along the right front door sill toward the right center pillar.



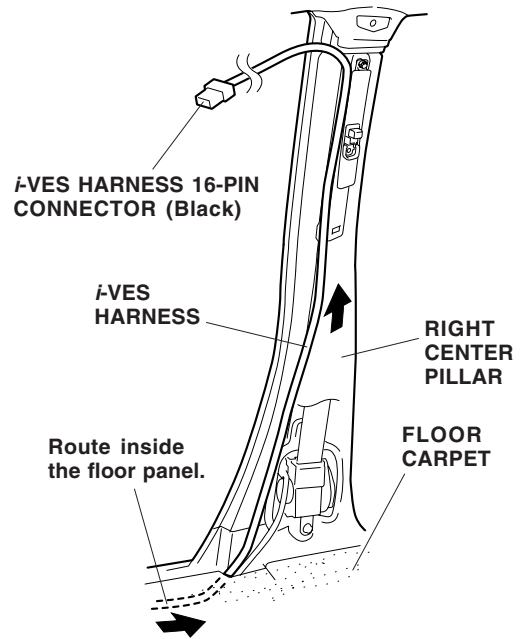
38. Using a tape measure and felt-tip pen, measure and mark the headliner as shown. Using the utility knife, cut out the marked area as shown.



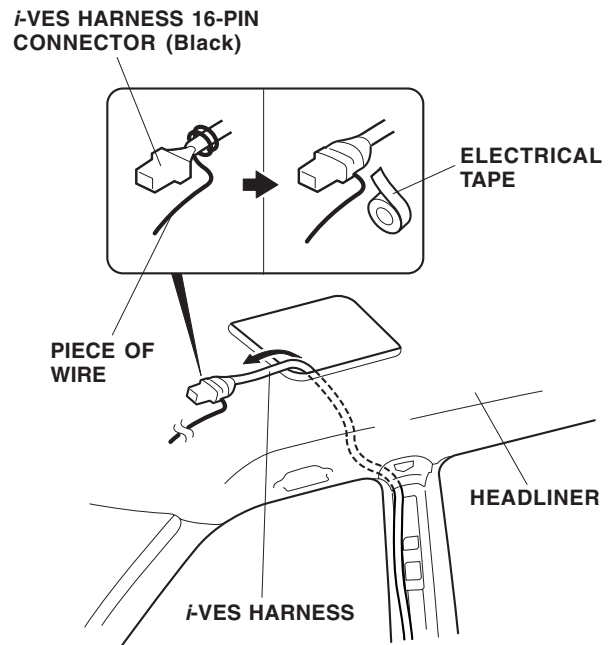
39. Remove the sun visor holders by rotating them clockwise.



40. Route the *i*-VES harness 16-pin connector up the right center pillar.

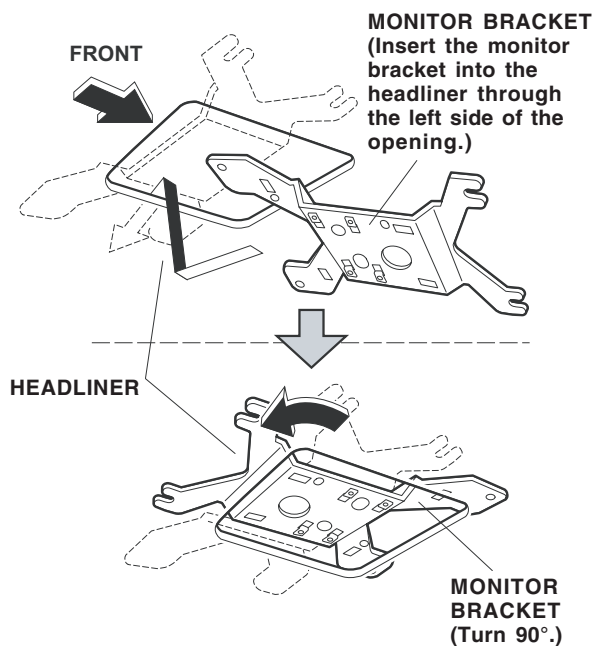


41. Wrap the piece of wire around the *i*-VES harness 16-pin connector. Using electrical tape, secure the 16-pin connector to the wire.

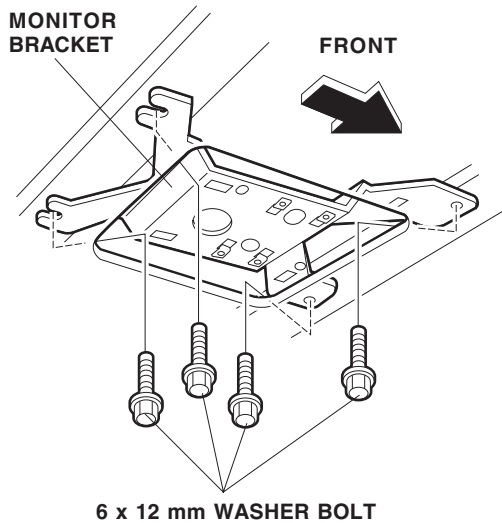


42. Pull the 16-pin connector behind the headliner and out through the cutout made in step 4. Remove the tape and the wire.

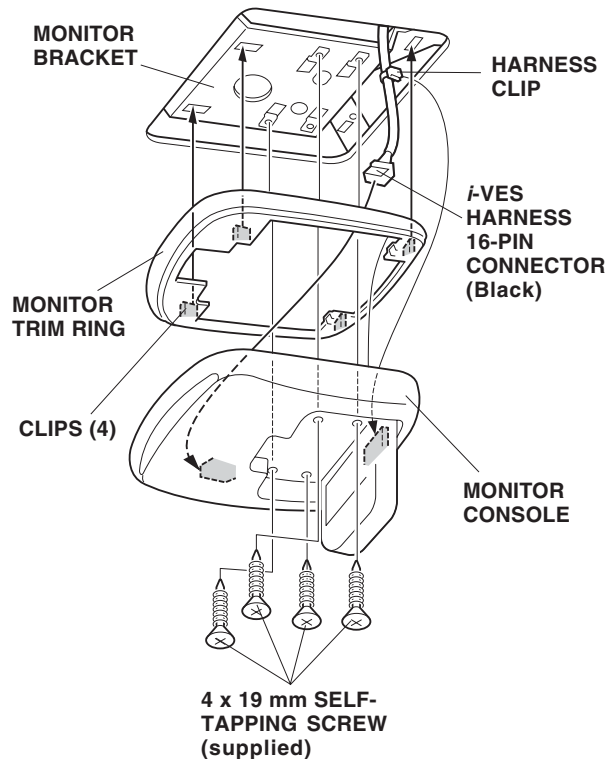
43. Slide the monitor bracket into the headliner as shown.



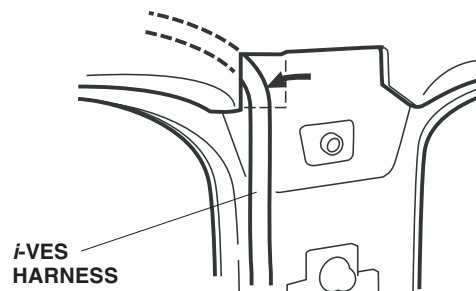
44. Install the monitor bracket to the roof panel with the four 6 x 12 mm washer-bolts.



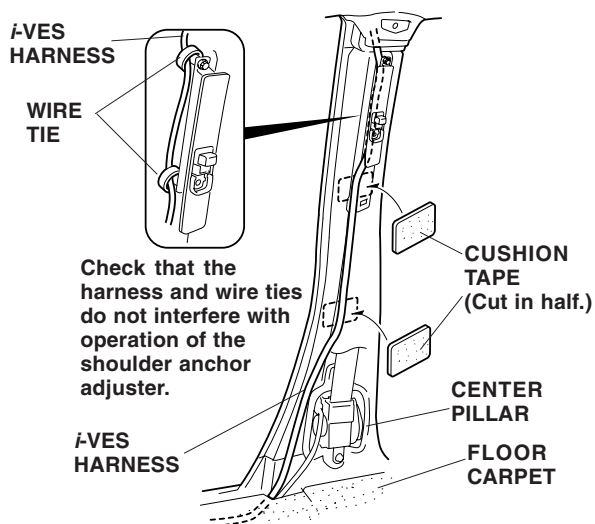
45. Install the monitor trim ring to the monitor bracket (four clips).



46. Connect the *i*-VES harness 16-pin connector (black) to the monitor console, then secure the harness clip of the *i*-VES harness to the rib of the monitor console as shown.
47. Secure the monitor console to the monitor bracket with the four 4 x 19 mm self-tapping screws supplied.
48. Move the *i*-VES harness through the cut out area you made in step 38.

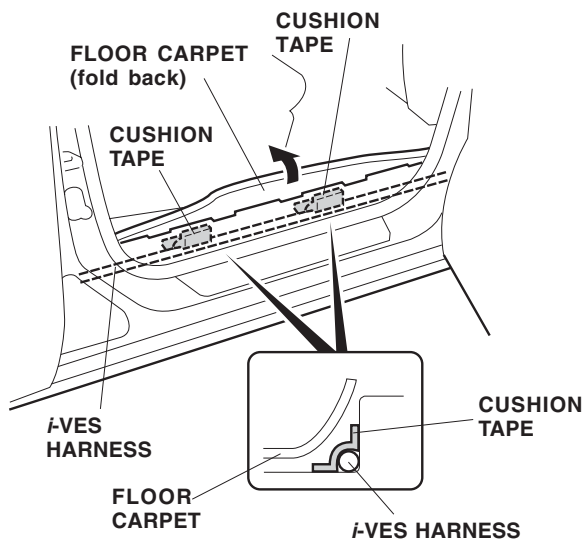


49. Secure the *i*-VES harness to the front seat belt shoulder anchor adjuster with two wire ties in the areas shown. Check that the harness and wire ties do not interfere with the operation of the seat shoulder anchor adjuster.

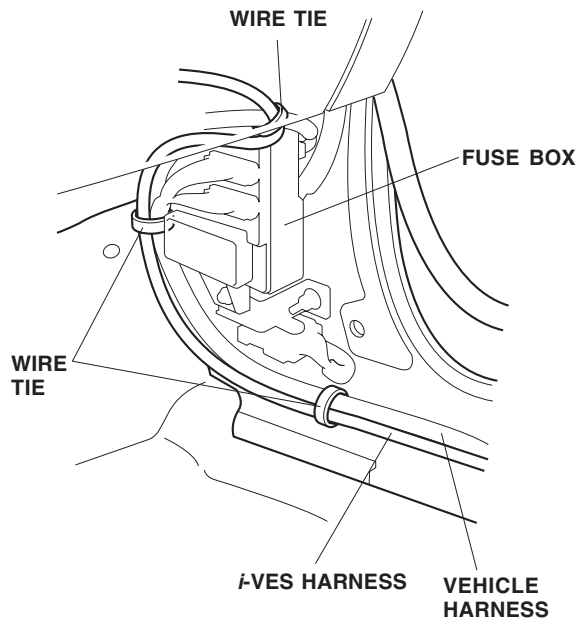


50. Using isopropyl alcohol on a shop towel, clean the areas where the cushion tapes will attach. Using scissors, cut one cushion tape in half. Secure the *i*-VES harness to the right center pillar with two pieces of cushion tape in the areas shown.

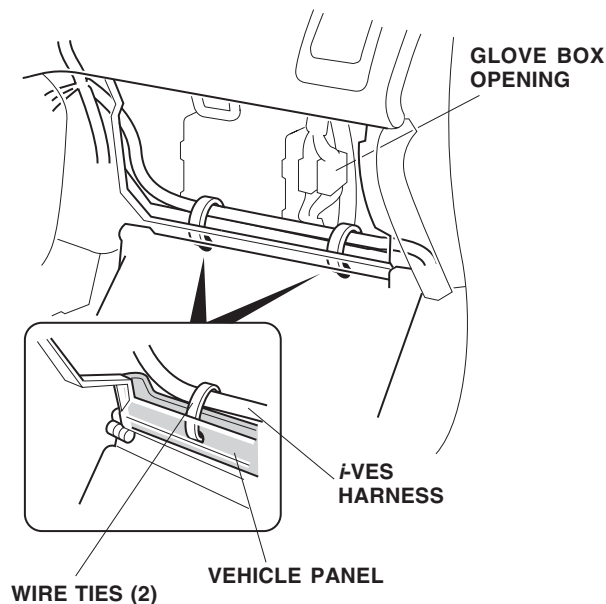
51. Fold back the floor carpet. Using isopropyl alcohol on a shop towel, clean the areas where the cushion tapes will attach. Secure the *i*-VES harness to inside the right front door sill with two pieces of cushion tape in the areas shown.



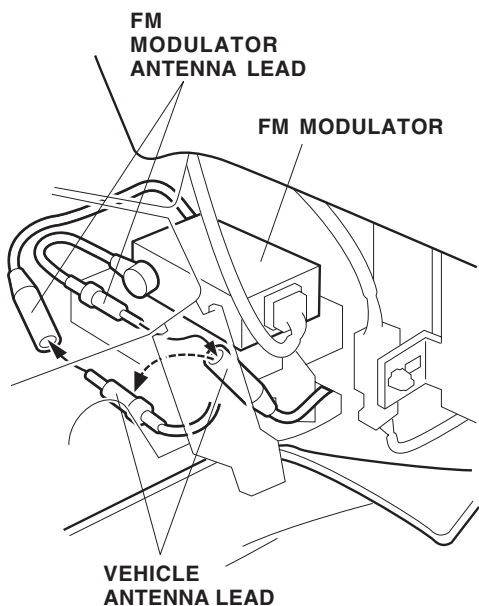
52. Near the fuse box, secure the *i*-VES harness to the vehicle harness with three wire ties. Do not secure the *i*-VES harness to the yellow SRS harness.



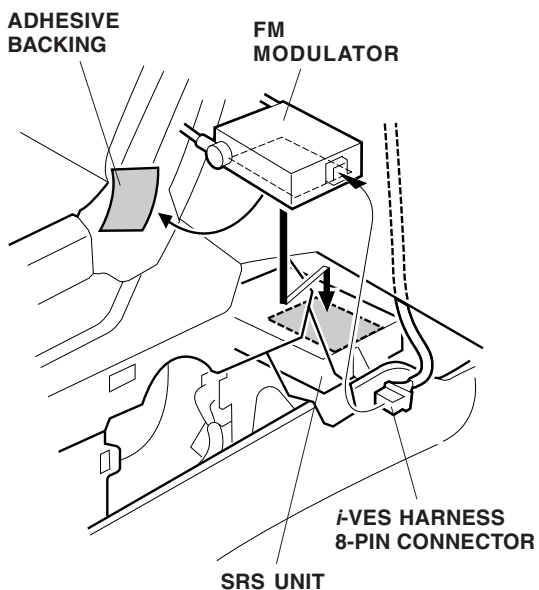
53. In the glove box opening, secure the *i*-VES harness to the vehicle panel with two wire ties.



54. In the center console lower cover opening, unplug the vehicle antenna leads, and plug in the FM modulator antenna leads between the vehicle antenna leads.

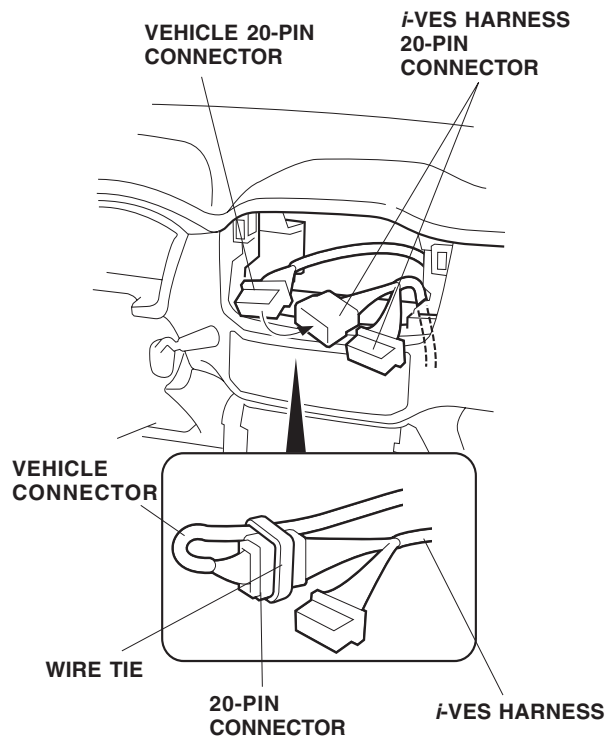


55. Plug the *i*-VES harness 8-pin connector into the FM modulator.

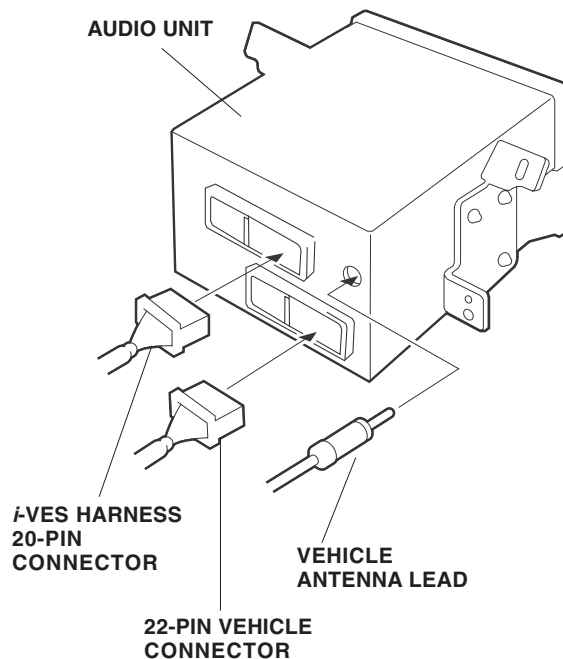


56. Using isopropyl alcohol on a shop towel, clean the area where the FM modulator will attach. Remove the adhesive backing from the cushion tape, and attach the FM modulator to the SRS unit.

57. Connect the *i*-VES harness 20-pin connector to the vehicle 20-pin connector, and secure the connectors with one wire tie.

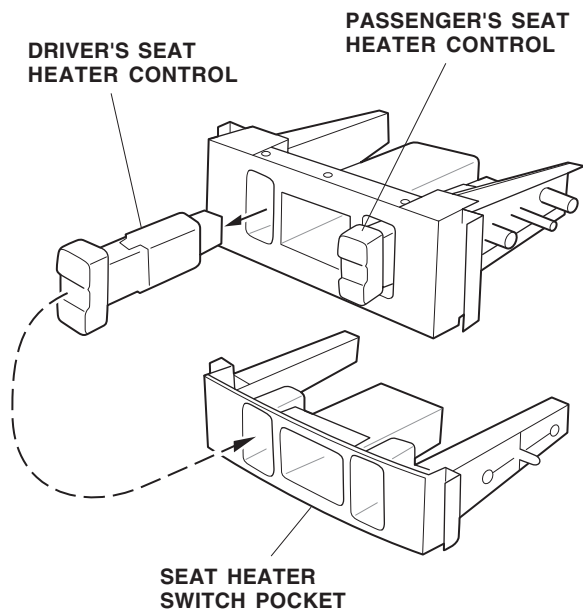


58. Plug the *i*-VES harness 20-pin connector, 22-pin vehicle connector, and antenna lead into the rear of the audio unit. Reinstall the audio unit with the four screws removed in step 11.

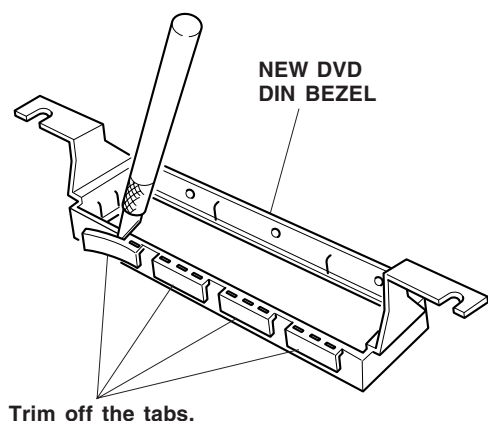


59. Pop out the seat heater controls from the seat heater control unit. Install the seat heater controls into the new seat heater control unit.

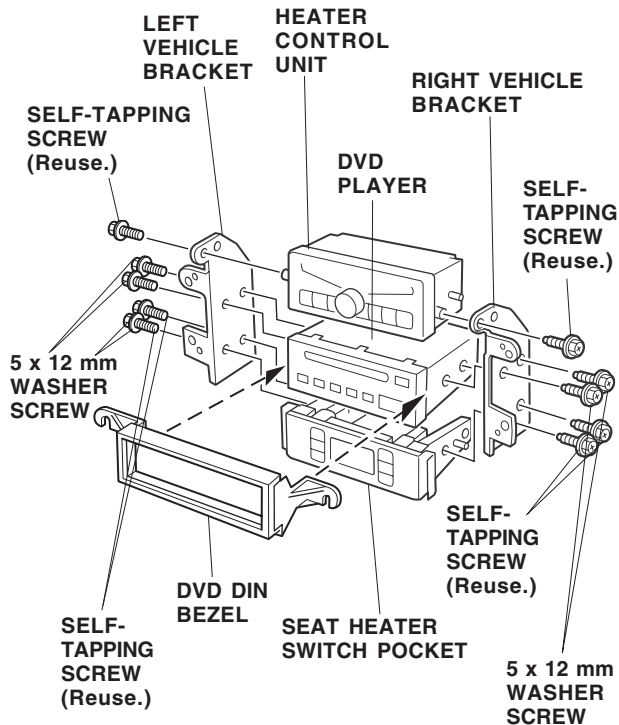
NOTE: The seat heater controls are not interchangeable. Be sure to install the driver's seat heater control into the driver's side and the passenger's seat heater control into the passenger's side of the seat heater switch pocket.



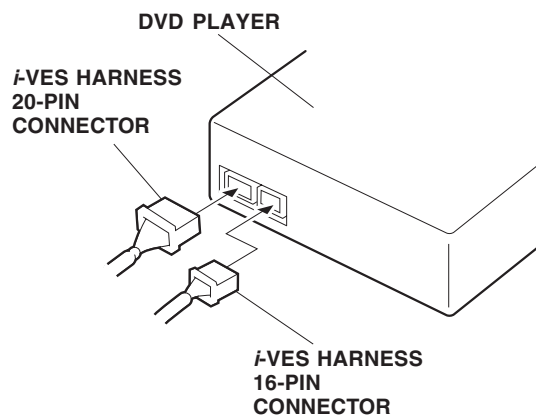
60. Get the DVD DIN bezel. Using a utility knife, trim the tabs off of the DVD bezel.



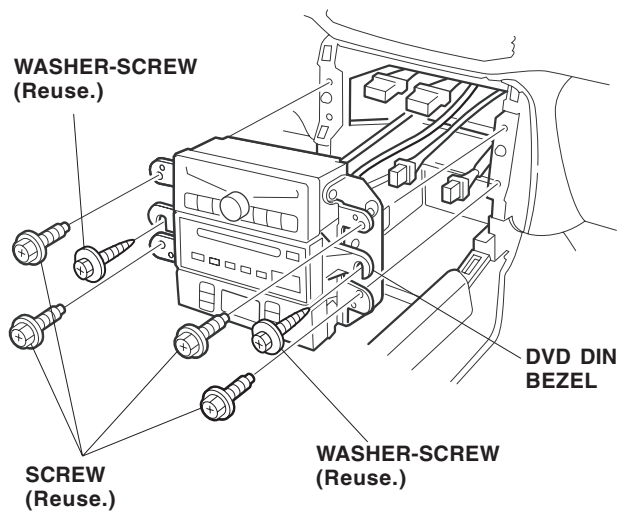
61. Install the DIN bezel onto the DVD player. Position the heater control unit on top of the DVD player and the seat heater switch pocket below the DVD player. Attach the left and right vehicle brackets using the six self-tapping screws removed in step 16, and the four 5 x 12mm self-tapping washer screws included in the kit.



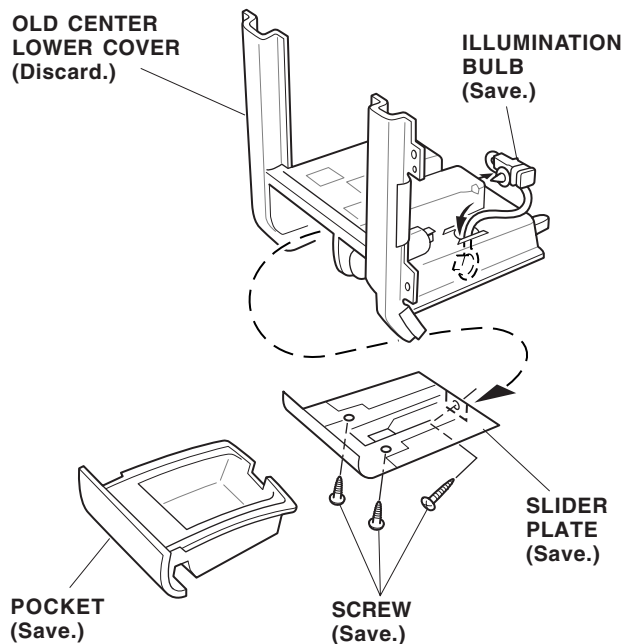
62. Plug the *i*-VES harness 16-pin and 20-pin connectors into the rear of the DVD player.



63. Remove the two washer-screws from the dashboard. Slide the heater control unit and DVD player into the center panel opening, and reinstall the four screws.

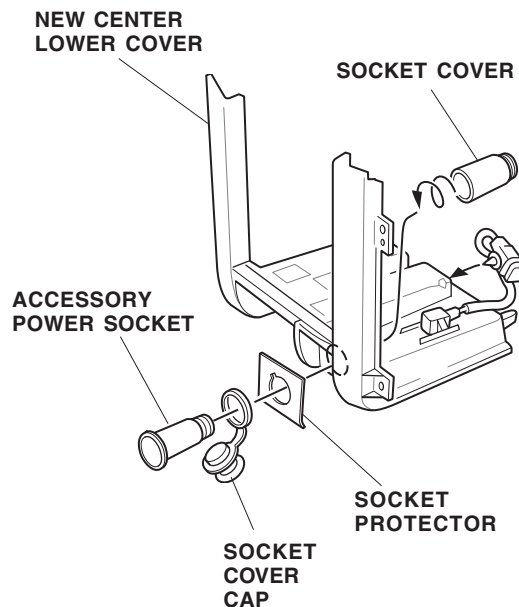


64. Install the DIN bezel onto the dashboard with the two washer-screws removed in step 63.
65. Remove the illumination bulb and connector from the old center lower cover, and reinstall onto the new center lower cover.



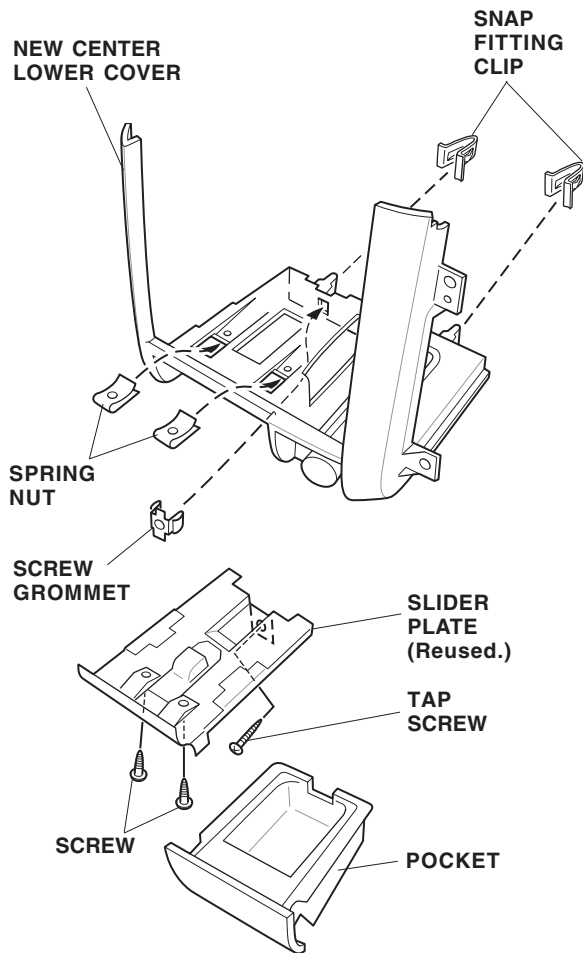
66. Remove the pocket.
67. Remove the three screws that hold the slider plate to the center lower cover then remove slider plate.

68. Get the accessory power socket, the socket protector, the socket cover, and the socket cover cap. Insert the power socket through the socket cover cap, the protector, and into the lower cover opening from the outside. Thread the socket cover onto the socket.



69. Install the illumination bulb and the connector clip to the center lower cover.

70. Fit the screw grommet into the indentation in the lower cover.



71. Install the two (4mm) spring nuts as shown.
72. Turn the center lower cover so the accessory socket is on the top, and rest the lower cover on a flat surface. Install the slider plate into the new center lower cover, and secure with one screw into the screw grommet.
73. Install the two screws into the (4mm) spring nuts.
74. Slide the pocket into the slider plate. Make sure the tabs on the sides and the clip in the back are engaged.
75. Install the two snap fitting clips onto the new center lower cover.
76. Check to make sure all connectors are securely connected.
77. Install the new lower cover assembly onto the dashboard with the four screws removed in step 13.

78. Reinstall all removed parts
- Torque the seat bolts to 41 to 53 N·m (30 to 39 ft·lb).
 - Torque the seat belt anchor bolts to 30 to 34 N·m (22 to 25 ft·lb.)
79. Reconnect the negative cable to the battery.
80. Enter the customer's radio anti-theft code, and reset the radio station presets.
81. Set the clock.
82. Check the operation of the *i*-VES rear entertainment system according to the Owner's Manual supplied with the unit.
83. Program the driver's side auto window function:
- Start the engine.
 - Push down on the driver's window switch until the window is fully open.
 - Pull up on the driver's window switch to close the window completely, then hold the switch for 2 seconds.
84. Test the AUTO window function.
85. Do the idle learn procedure.