



INSTALLATION INSTRUCTIONS

Accessory

FLOOR MATS

Application

2003-2005 CIVIC HYBRID

Publications No.

A11 28001

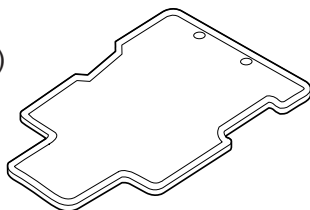
Issue Date

AUG 2004

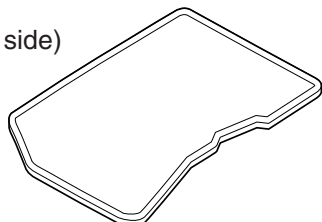
Keep this information in the glove box for future reference.

PARTS LIST

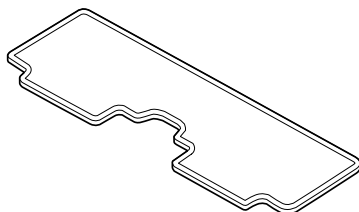
Floor mat (driver's side)



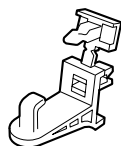
Floor mat (passenger's side)



Rear floor mat



2 Floor mat anchors



TOOLS REQUIRED

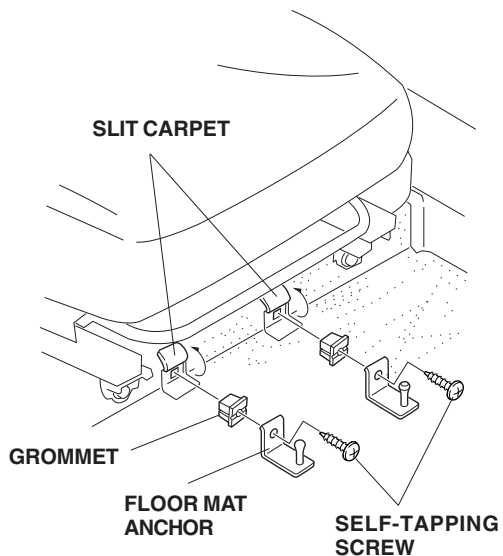
Phillips screwdriver

INSTALLATION

NOTE:

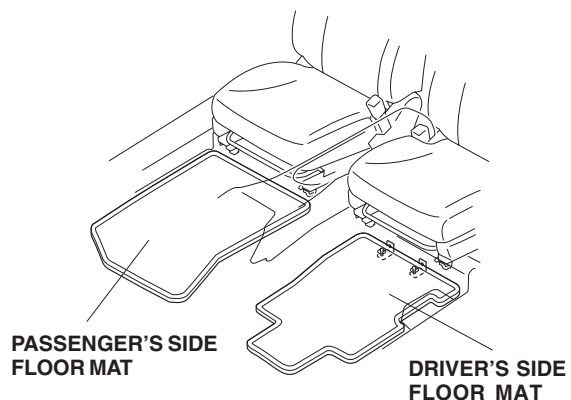
- A floor mat anchor is required for the driver's side of the vehicle; the anchor prevents the front floor mat from sliding forward and possibly interfering with the pedals.
- If you remove the front floor mat, make sure you re-anchor it when you put it back in your vehicle.
- If you replace the floor mat, use factory floor mats designed to be used with the floor mat anchor.
- If you use a non-factory floor mat in the driver's footwell, make sure it fits properly and that it can be used with the floor mat anchor.
- Do not put additional floor mats on top of the anchored mat, otherwise the additional mats may slide forward and possibly interfere with the pedals.
- Identify each front floor mat by the identification mark on the back. The floor mat marked "R" goes on the right (passenger's) side of the vehicle; the floor mat marked "L" goes on the left (driver's) side of the vehicle.

1. Slide the driver's seat all the way back.
2. Below the driver's seat, locate the slits in the carpet at two places along the front edge.



3. Turn over the slit carpet, locate the square hole in the body. Press the plastic grommet into the hole.
4. Attach both floor mat anchors to the body using one self-tapping screw for each anchor. Tighten the screws securely.
5. Install the driver's side floor mat by placing the rings in the floor mat over the pins of the floor mat anchors.

6. Install the passenger's side floor mat.



7. Install the rear floor mat.

