



INSTALLATION INSTRUCTIONS

Accessory

CARGO NET
P/N 08L96-S5D-100

Application

2003-2005 CIVIC HYBRID

Publications No.

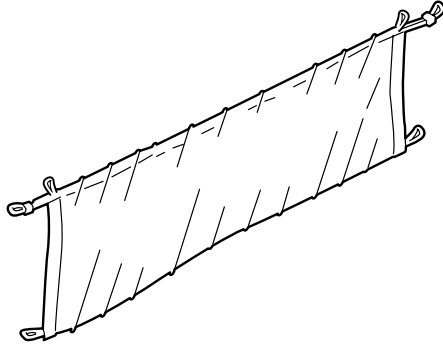
All 27995

Issue Date

AUG 2004

PARTS LIST

Cargo net



2 Hooks "A"



4 Hooks "B"



6 Screws



6 Well nuts



6 Washers



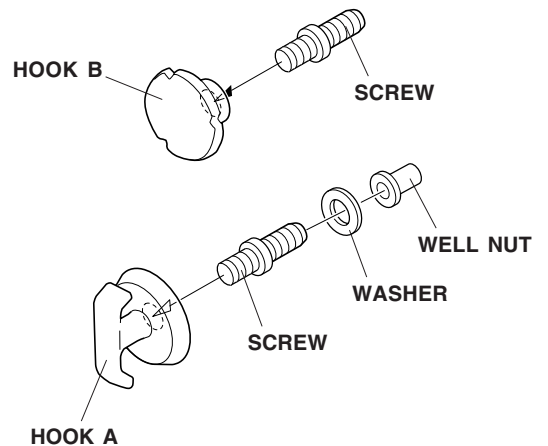
TOOLS REQUIRED

- Clip remover
- Phillips screwdriver
- Drill motor
- 8 mm Drill bit
- Eye protection (face shield, safety goggles, etc.)
- File
- Utility knife
- Touch-up paint
- Tape measure

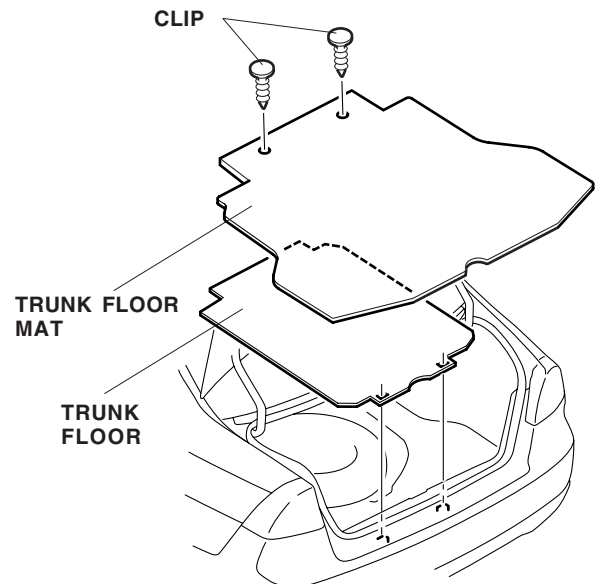
INSTALLATION

Customer Information: The information in this installation instruction is intended for use only by skilled technicians who have the proper tools, equipment, and training to correctly and safely add equipment to your vehicle. These procedures should not be attempted by "do-it-yourselfers."

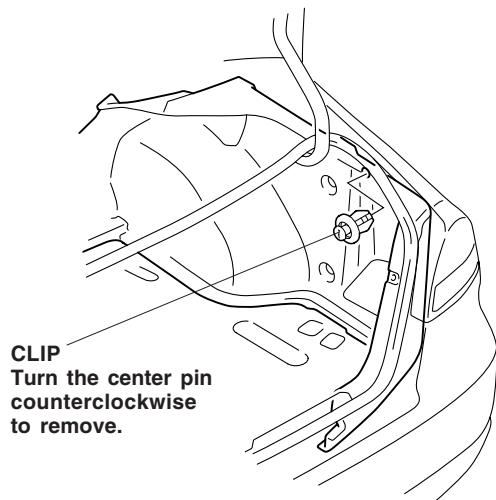
1. Install a screw, washer and well nut into each hook A, and install a screw into each hook B.



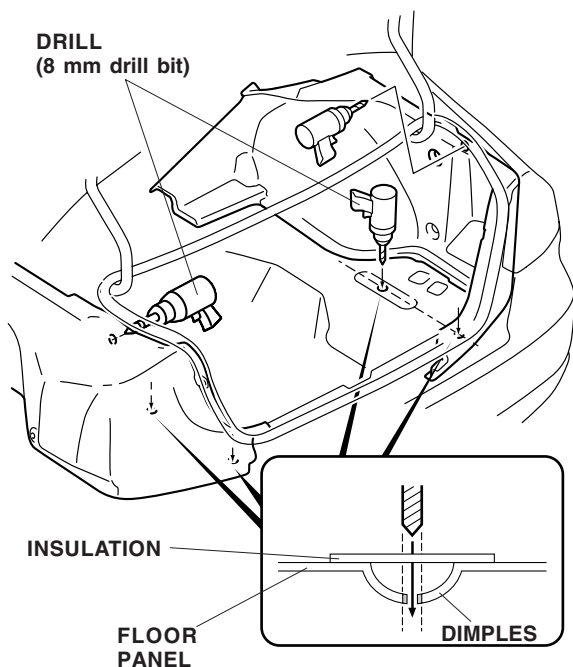
2. Open the trunk lid . Remove the trunk floor mat and the trunk floor (two clips).



- Remove the clip from the right and left trunk side panel. Save the clips for your customer in case the cargo net is removed.

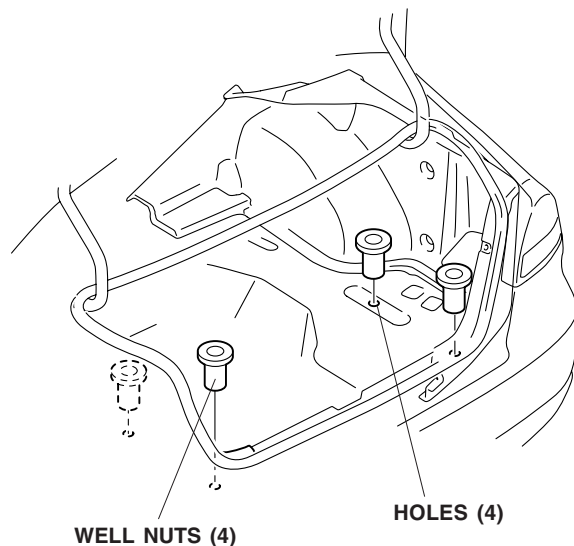


- Locate the four dimples (two on each side) along the floor. While wearing eye protection, drill a 3 mm hole, hole through each of the four dimples in the floor. On the right and left side trunk side panels, enlarge the clip holes (clip removed in step 3) to 8 mm.

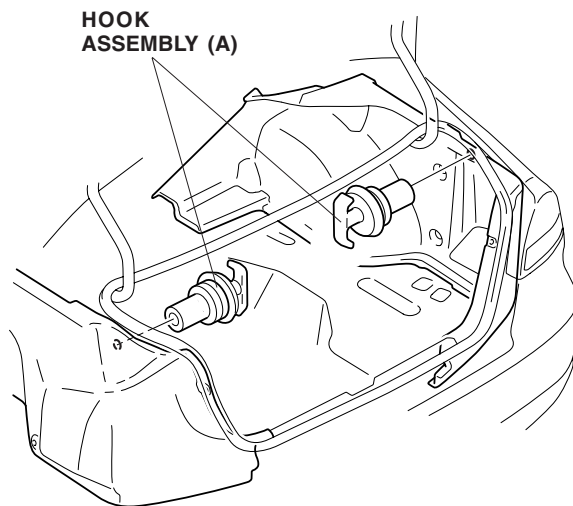


- Remove all burrs, and apply touch-up paint to the edges of the holes. If necessary, gently pull the trunk side lining down to apply the touch-up paint.

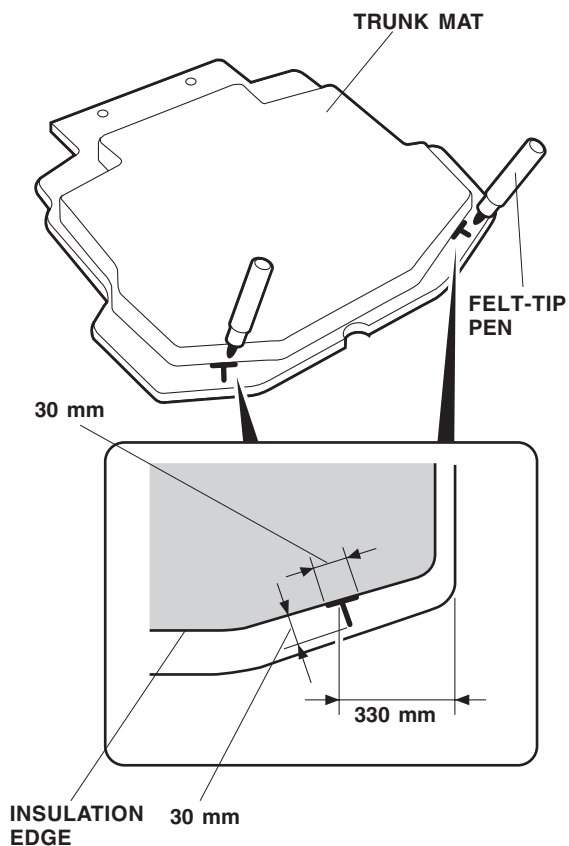
- Install the four well nuts into the holes in the floor panel you made in step 4.



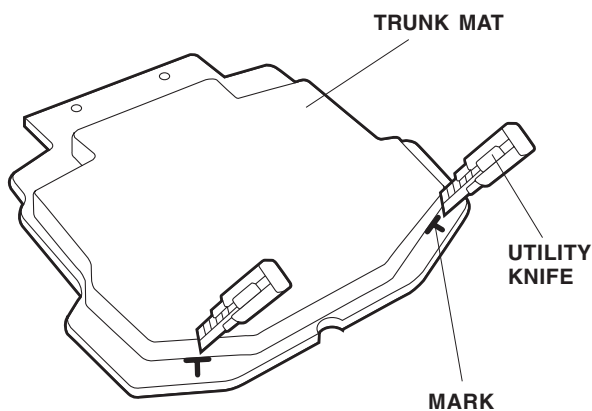
- Install the two hooks (A) into the holes in the right and left trunk side panels.



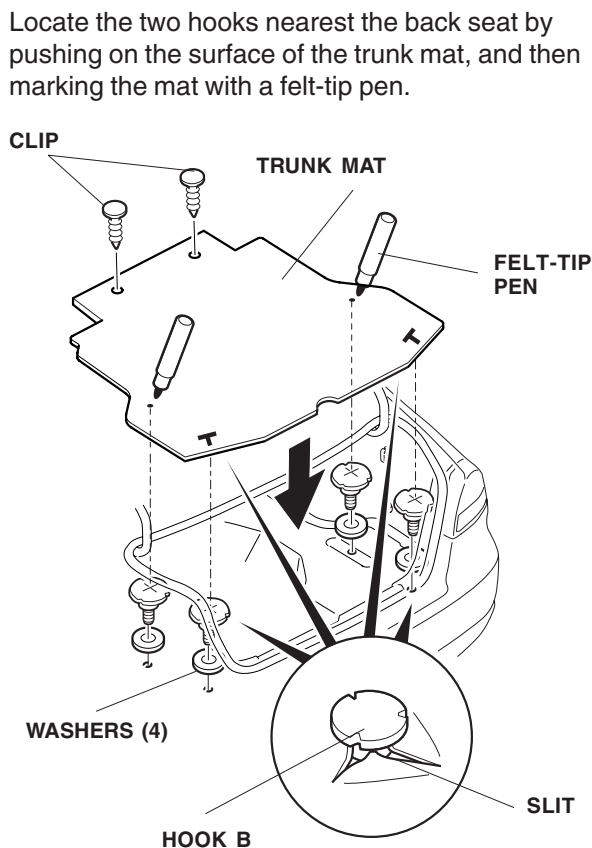
- Turn the trunk floor mat over. Using a tape measure, and a felt-tip pen, measure and mark the trunk floor mat in the area shown.



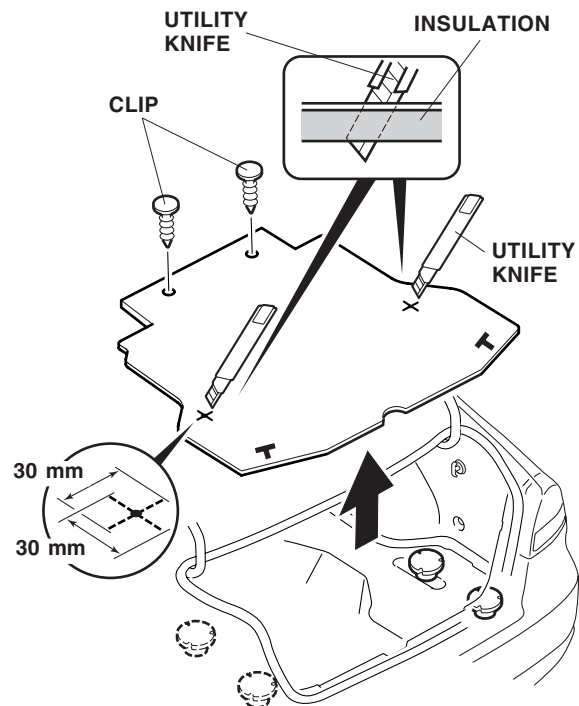
- Using a utility knife, make a "T" cut in the trunk floor mat at each of the two marks you just made.



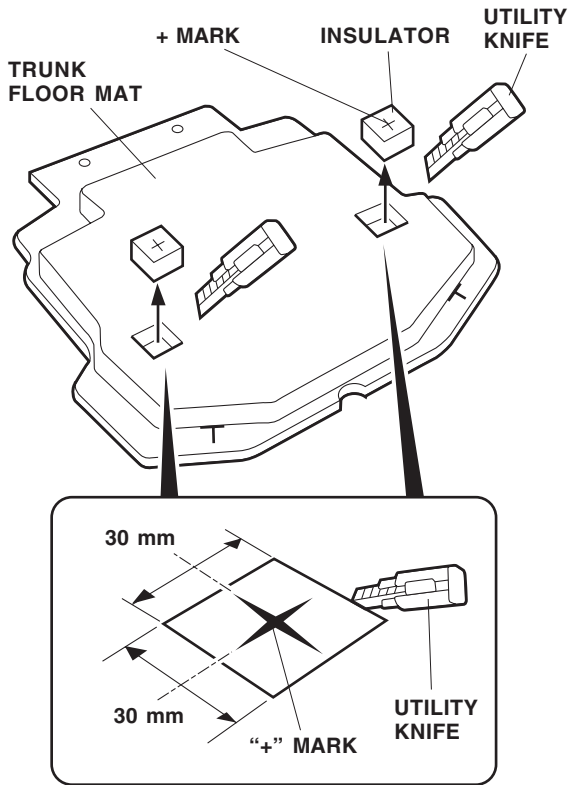
- Install the four hooks (B) and washers into the holes in the floor panel. Then reinstall the trunk mat.



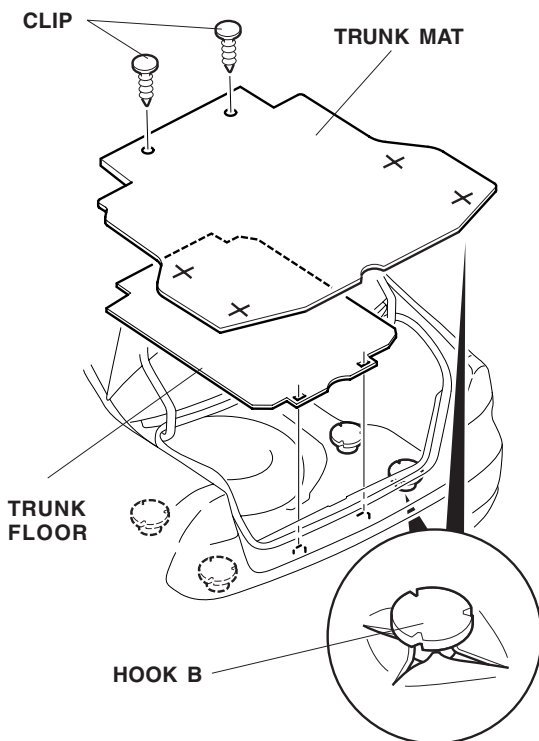
- Remove the trunk mat and make a + in at each of the two marks you just made.



13. Using a tape measure and a felt-tip pen, measure and mark the insulation just behind the two + cuts made in step 11. Using a utility knife, cut out the marked areas from the insulation.



14. Reinstall the trunk floor and trunk mat.



15. Attach the cargo net to the hooks to suit your preference.

