



INSTALLATION INSTRUCTIONS

Accessory

SIDE STEP
P/N 08L33-SCV-100

Application

2003-2004 ELEMENT

Publications No.

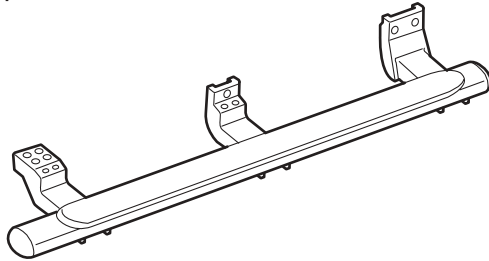
All 24308

Issue Date

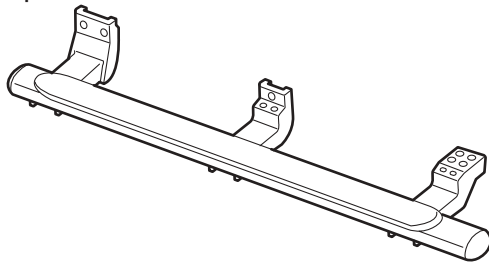
DEC 2002

PARTS LIST

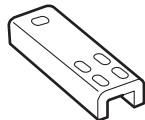
Left side step



Right side step



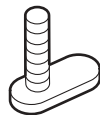
2 Brackets



20 Flange bolts



4 Plate bolts



8 Small flange nuts



4 Large flange nuts



4 Plastic washers



TOOLS REQUIRED

Ratchet

13 mm, 17 mm, and 18 mm Combination wrenches

13 mm and 18 mm Sockets

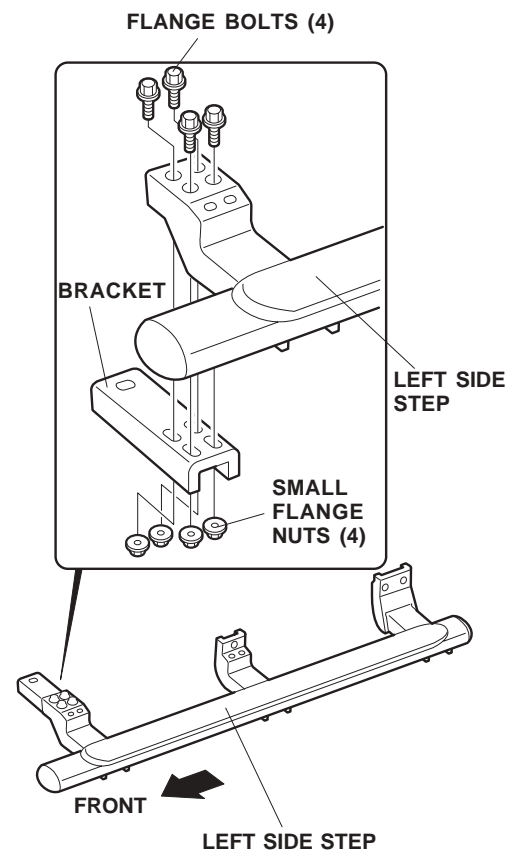
Torque wrench

INSTALLATION

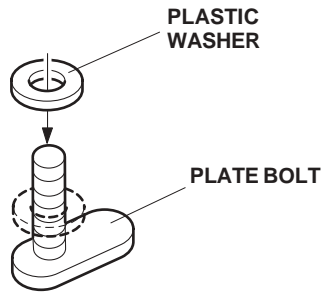
Customer Information: The information in this installation instruction is intended for use only by skilled technicians who have the proper tools, equipment, and training to correctly and safely add equipment to your vehicle. These procedures should not be attempted by "do-it-yourselfers."

NOTE: Be careful not to damage the body paint finish.

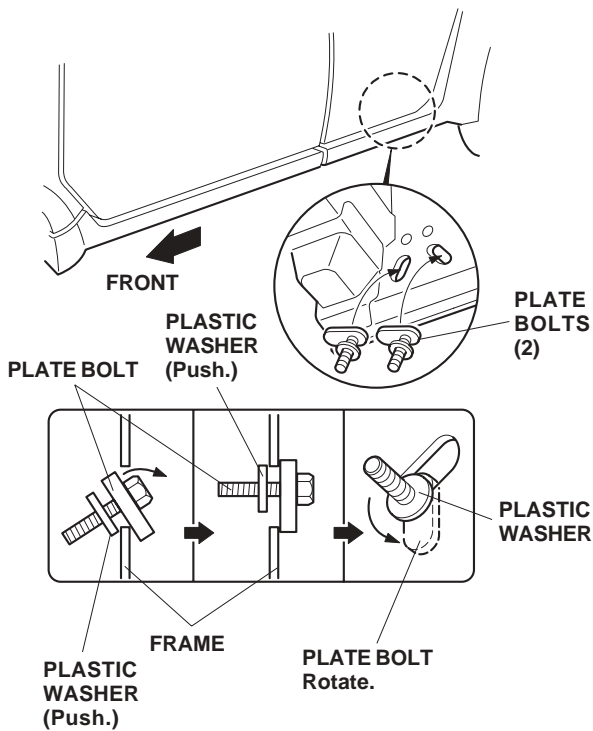
1. Position one bracket to the left front side step holder and install four flange bolts with four small flange nuts. Do not tighten yet.



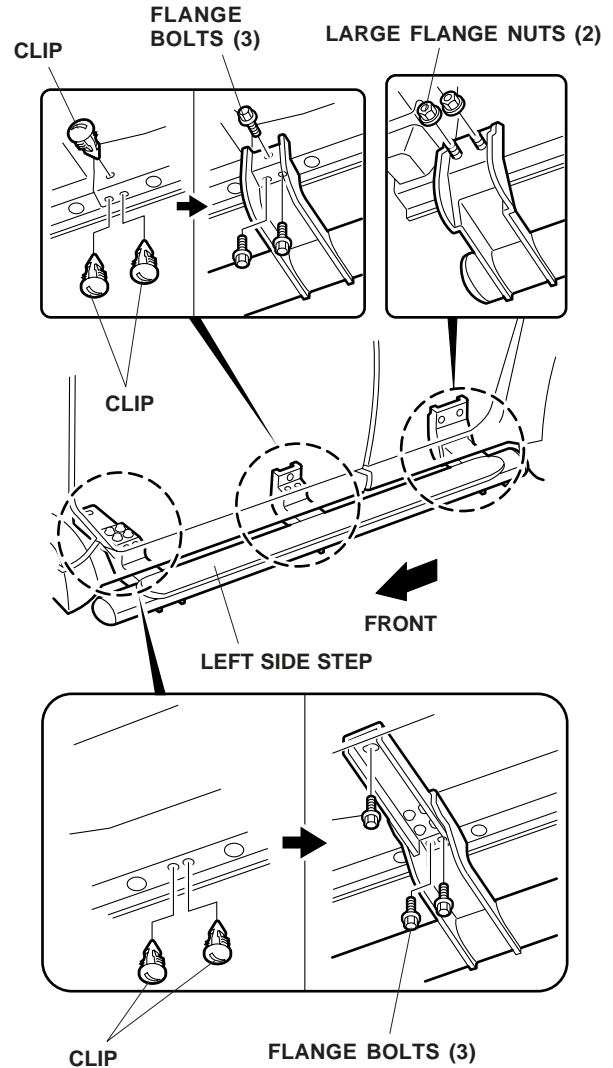
2. Install one plastic washer halfway onto each plate bolt.



3. Insert the head of the plate bolt into the frame hole as shown. Hold the bolt by the threads and rotate it into position then push the plastic washer against the frame. Install the other plate bolt the same way.



4. Remove the five clips from underneath the vehicle.
5. Position the left side step on the body and install six flange bolts and two large flange nuts.



6. Torque the small flange nuts installed in step 1 to 20.6 N·m (15.2 lbf-ft).
7. Torque the large flange nuts and bolts to 20.6 N·m (15.2 lbf-ft).
8. Repeat steps 1 thru 7 to install the right side step.