



# INSTALLATION INSTRUCTIONS

Accessory

FLOOR MATS  
(CARPET)  
08P15-SCV-100A

Application

2003-2005 ELEMENT

Publications No.

All 28671

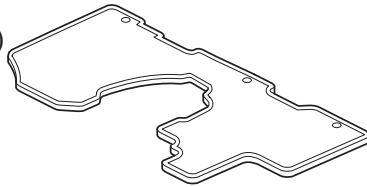
Issue Date

JAN 2005

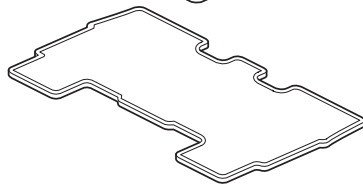
Put this information in the glove box with the vehicle owner's manual.

## PARTS LIST

Front mat (driver's side)



Rear mat



3 Floor mat anchors



3 Self-tapping screws



## TOOLS REQUIRED

Phillips screwdriver

Utility knife

Tape measure

## INSTALLATION

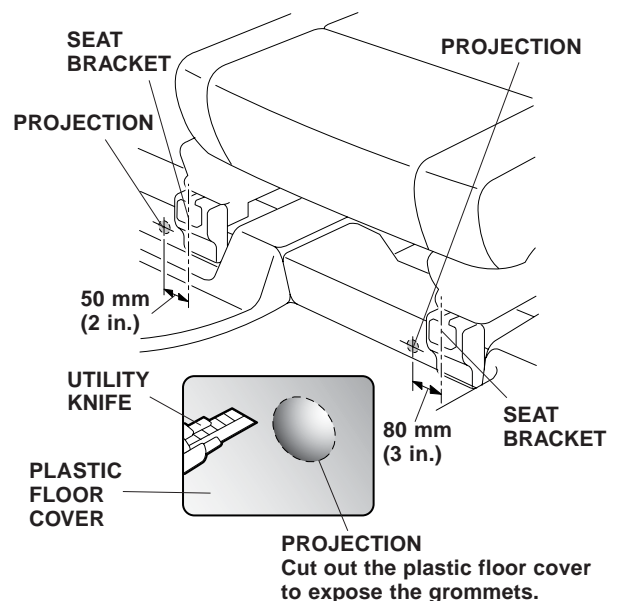
### NOTE:

- A floor mat anchor prevents the front floor mat from sliding forward and possibly interfering with the pedals.
- If you remove the front floor mat, make sure you re-anchor it when you put it back in your vehicle.
- If you replace the floor mat, use factory floor mats designed to be used with the floor mat anchor.
- If you use a non-factory floor mat in the driver's foot well, make sure it fits properly and that it can be used with the floor mat anchor.
- Do not put additional floor mats on top of the anchored mat, otherwise the additional mats may slide forward and possibly interfere with the pedals.

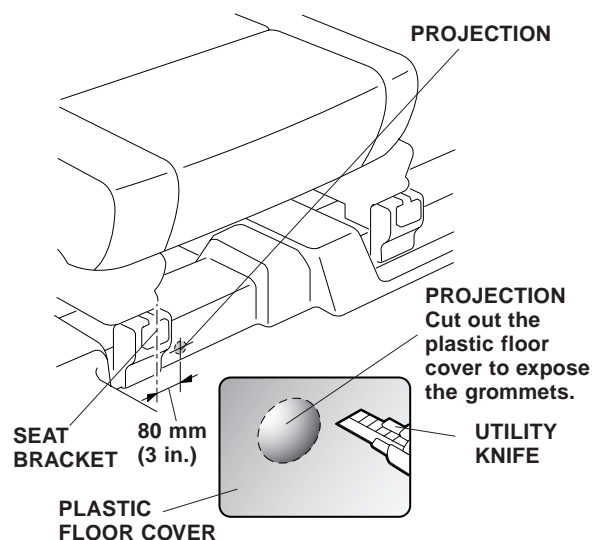
## Installing the Anchors

1. In front of the driver's and passenger's seats, locate the projections on the plastic floor cover. Using a utility knife, cut out the projections to expose the plastic grommets.

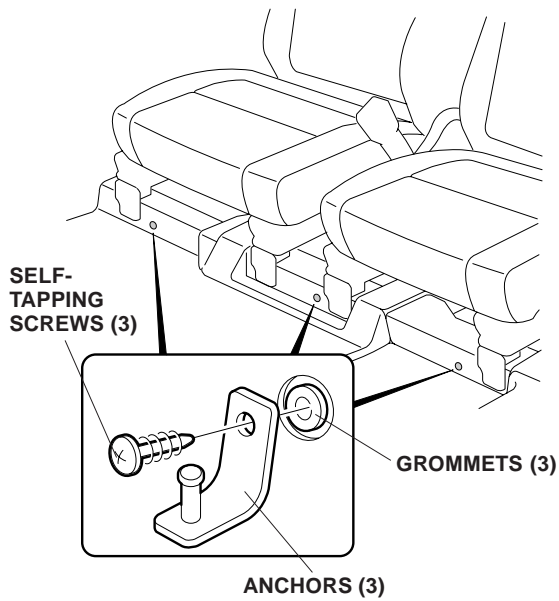
### Driver's Seat



### Passenger's Seat

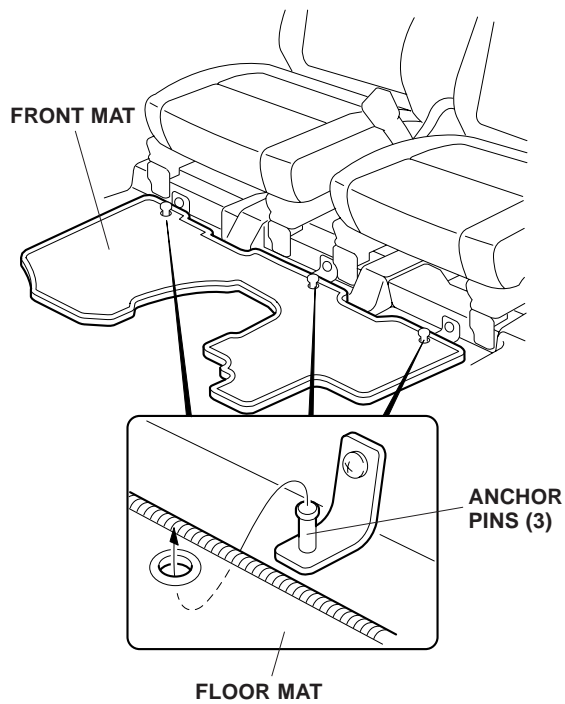


2. Install an anchor to each of the three grommets using one self-tapping screw for each anchor.



### Installing the Floor Mat

3. Install the front floor mat by inserting the three floor mat rings over the three anchor pins.



4. Install the rear mat.

