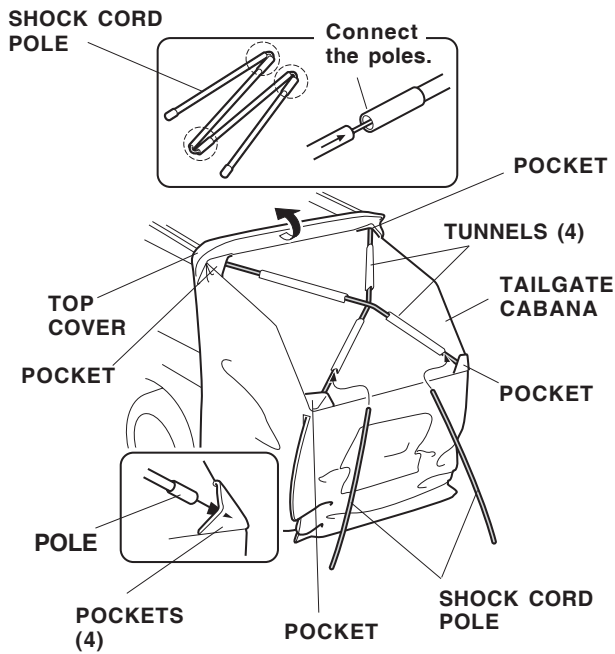
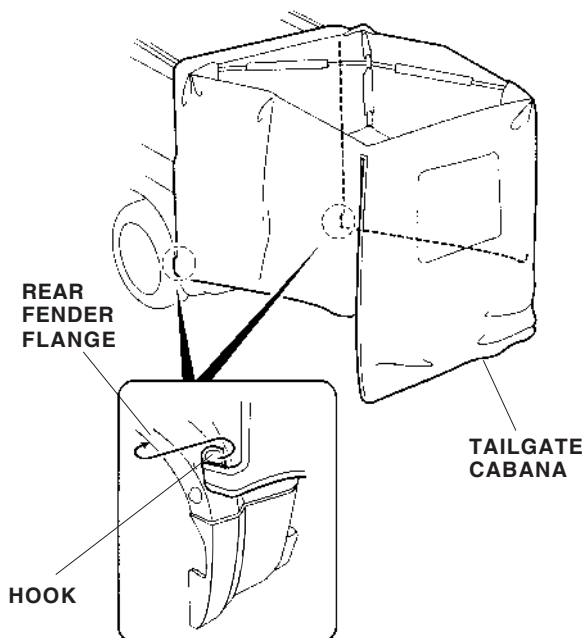


- Assemble the two shock cord poles to make two long poles.



- Lower the tailgate and insert the shock cord poles through the tunnels of the cabana. Place the end of each shock cord pole into the pocket of the cabana.
- Place the top cover of the tailgate cabana forward over the roof.
- Open the tailgate. Attach the corner hooks of the cabana to the rear fender flange.



- Lower the zippers to close the cabana.

NOTE: With an upper tailgate deflector installed, the zippers may not close the last 1 to 3 inches.

