



INSTALLATION INSTRUCTIONS

Accessory

SKI / SNOWBOARD
ATTACHMENT
P/N 08L03-TAI-100A

Application

2003 ACCORD
2 AND 4 DOOR

Publications No.

All 24395

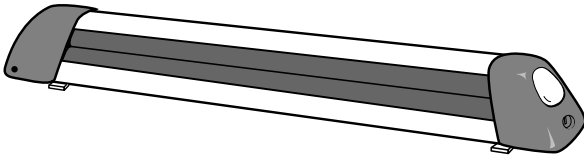
Issue Date

AUG 2002

Keep this information in the glove box for future reference.

PARTS LIST

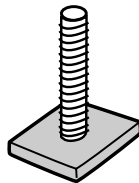
2 Ski Carriers



4 Two-Wing Knobs



4 T-track Screws



2 Keys



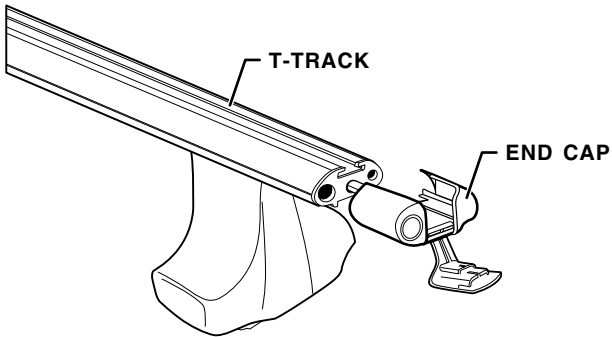
RACK GUIDELINES

When using the roof rack and attachment, the user must understand the precautions. The points listed below will assist you in using the rack and will encourage safety.

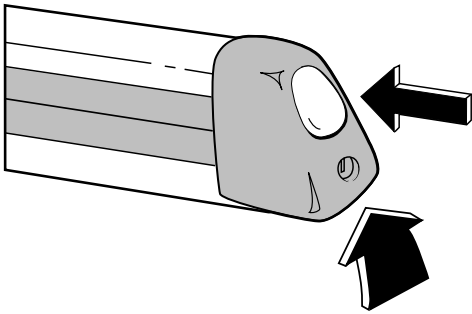
- For quality fit and safety, use only the recommended rack or accessory. Do not assume a rack will fit, always check with the Dealer when obtaining a new vehicle. Use only Honda approved accessories on this rack. Using other brands will void your warranty.
- Do not carry more than 40 kg (88 lbs.). Roof racks do not increase gutter or roof strength. Total load = cargo weight plus weight of accessories used to carry cargo.
- Always make sure the car doors are open when mounting a roof rack. Make sure all knobs, bolts, screws, straps, and locks are firmly attached, tightened and locked before every trip. Knobs, bolts, screws, straps, and locks must be periodically inspected for signs of wear, corrosion, and fatigue. Check your load frequently.
- Be aware of the width and height of your cargo since low clearance branches, bridges, and parking garages can affect the load. All cargo will affect the vehicle's driving behavior. Never drive with any lock, knob or rack in an open or unlocked position.
- Remove your rack and accessories when they are not in use and before entering automatic car washes.
- All locks must be turned and moved periodically to insure smooth operation. Use graphite or a similar dry lubricant. Locks are designed to deter vandalism and theft. Remove valuable gear if your vehicle is unattended for an extended period. Place at least one key in the glove compartment.
- For your safety, obey all posted speed limits and traffic cautions. Adapt your speed to the conditions of the road and the load being carried.
- Do not use the roof rack and accessories for purposes other than those for which they were designed. Do not exceed their carrying capacity. Failure to follow these guidelines or the product instructions will void the warranty.
- Consult with your Honda dealer if you have any questions regarding the operations and limits of this product. Review all instructions and warranty information carefully.

INSTALLATION

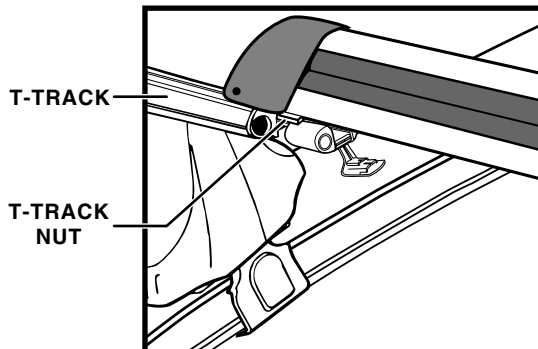
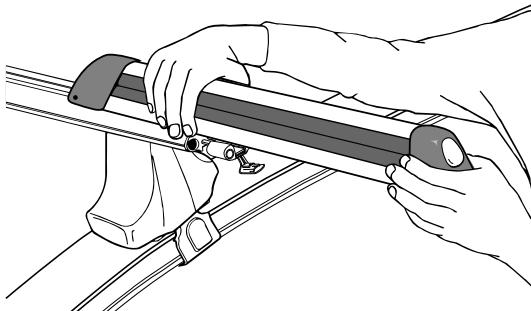
1. Pull out on the end cap, and open the T-track access cover.



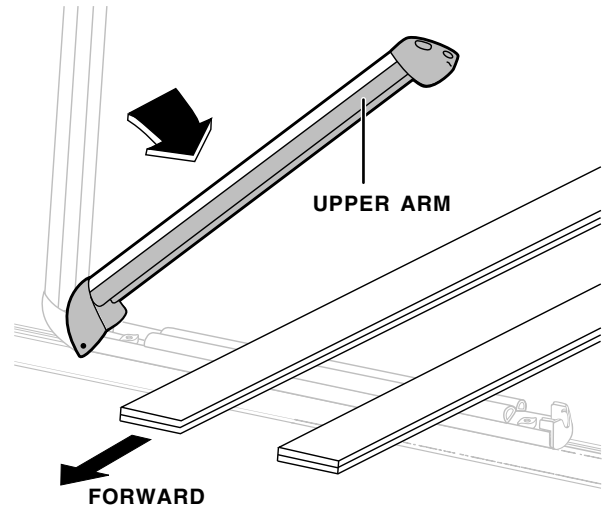
2. Push in on the button to unlock hood. Lift hood up to open carrier.



3. Insert the T-track nut of the assembled ski / snowboard attachment into the T-track.



4. Before mounting the skis, lower the upper arm to the position shown. Mount skis into the carrier with rear of the skis facing forward.



5. To close the carrier, push the upper arm down until the latch clicks securely. The latch is designed with two settings to accommodate varying thicknesses.

