



INSTALLATION INSTRUCTIONS

Accessory

CARGO NET
P/N 08L96-SDN-100

Application

2003-2006 ACCORD
2-DOOR

Publications No.

All 30213

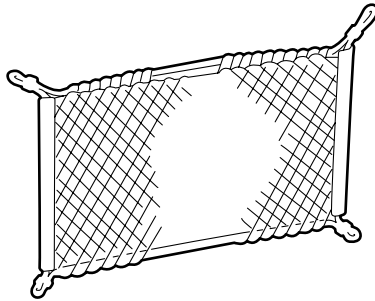
Issue Date

SEP 2005

Put this information in the glove box with the vehicle owner's manual.

PARTS LIST

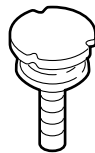
Cargo net



2 Self-tapping hooks



2 Screw hooks



TOOLS REQUIRED

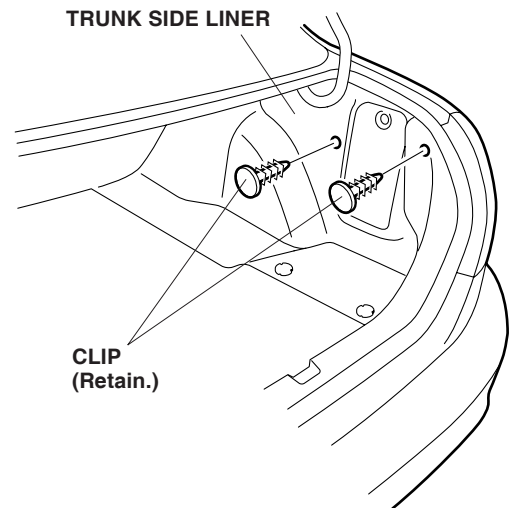
Clip remover

INSTALLATION

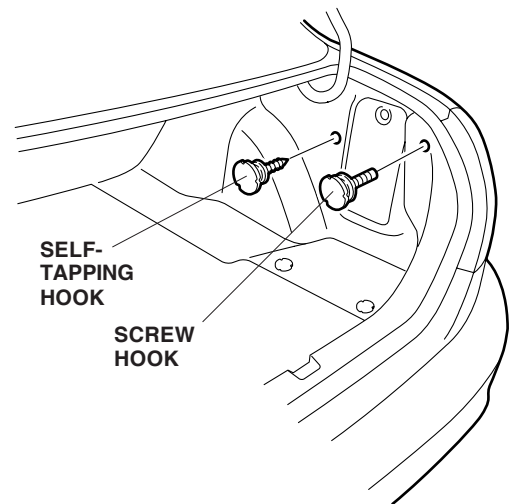
NOTE:

- These instructions show the right hooks being installed. The same procedure applies to installing the left hooks.
- Do not store large or fragile objects in the net.
- Do not store objects with sharp edges or corners; they may damage the cargo net or the car. Wrap such objects in paper or a blanket so they will not contact the net directly.

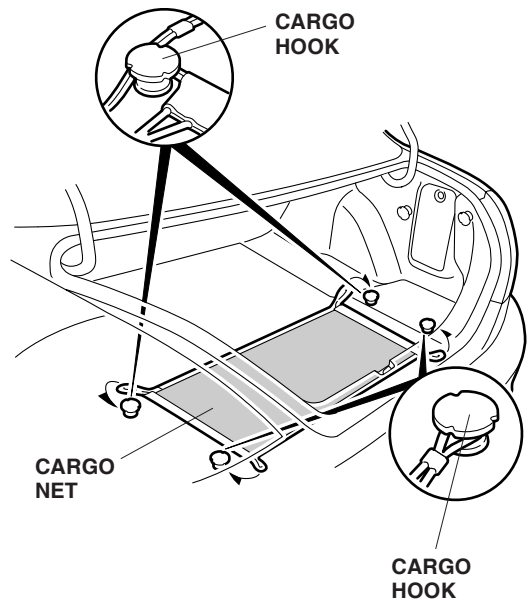
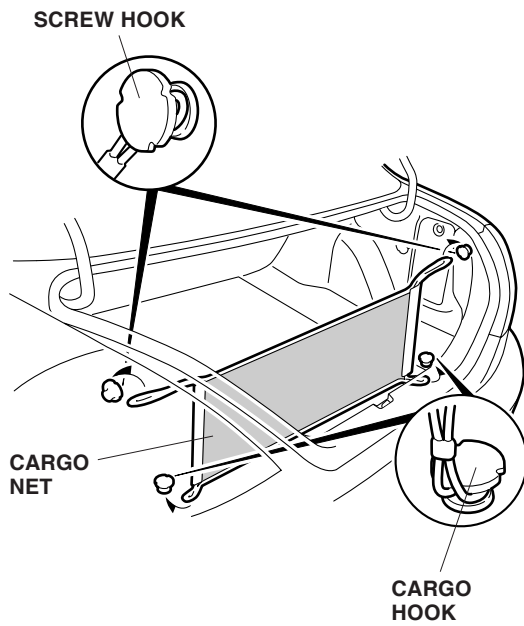
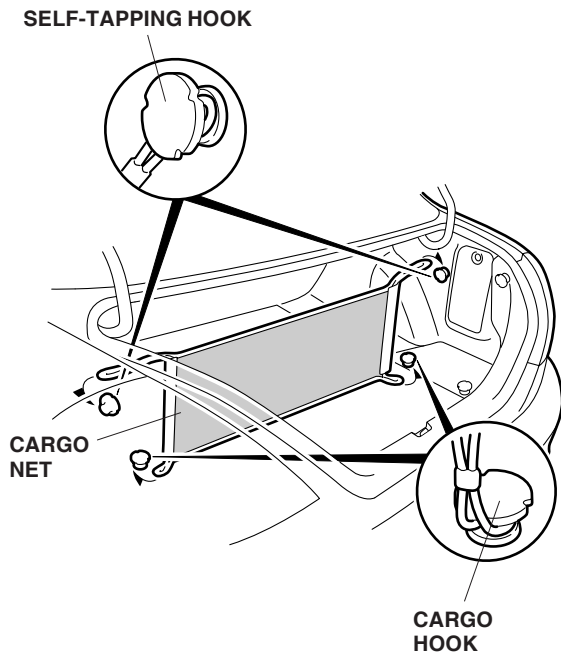
1. Open the trunk. Using a clip remover, remove the two clips shown from the right trunk side liner. Remove the same clips from the left trunk side liner. Save the clips for your customer so they can be reinstalled if the cargo net is removed.



2. Install the two self-tapping hooks and two screw hooks into the clip holes in the trunk side liner as shown.



3. Attach the cargo net to the hooks according to your preference.



4. Put a copy of these instructions, and the clips removed in step 1, in the glove box for your customer.