

**INSTALLATION  
INSTRUCTIONS**

Accessory

**SPLASH GUARDS  
P/N 08P00-SDA-101A**

Application

**2006 ACCORD  
4-DOOR**

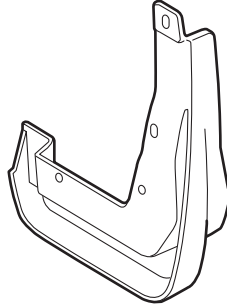
Publications No.

**All 30275**

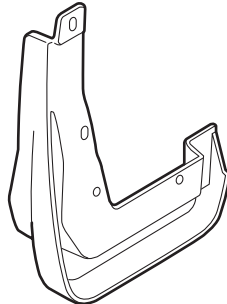
Issue Date

**AUG 2005****PARTS LIST**

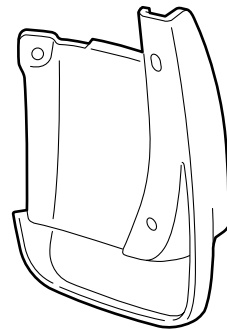
Left front splash guard



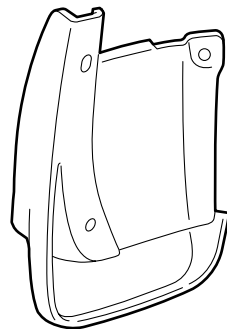
Right front splash guard



Left rear splash guard



Right rear splash guard



2 Self-tapping screws

**TOOLS REQUIRED**

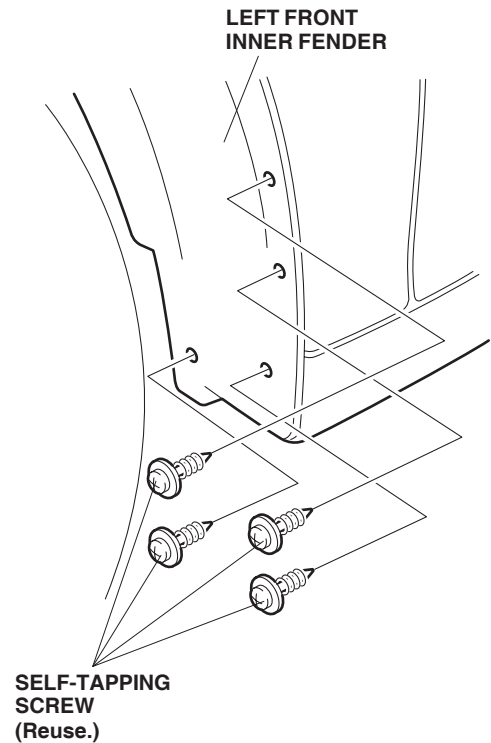
Stubby Phillips screwdriver

**INSTALLATION****NOTE:**

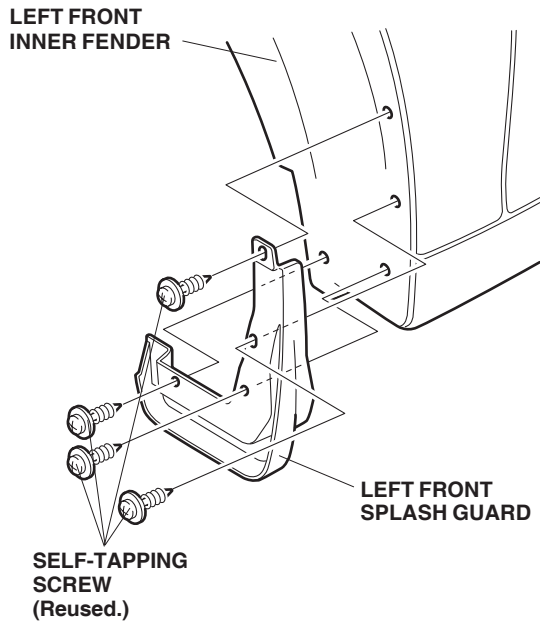
- These instructions show the left splash guards being installed. The same procedure applies to installing the right splash guards.
- Clean and wax the areas to be covered with a high-quality paste wax.

**Installing the Front Splash Guards**

1. Turn the steering wheel all the way counterclockwise.
2. Remove and retain the four self-tapping screws that fasten the left front inner fender to the front fender and fenderwell.



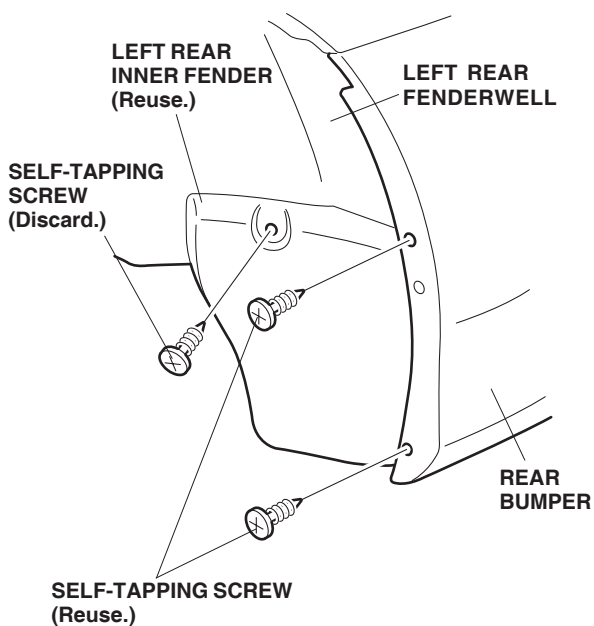
- Position the left front splash guard on the left front inner fender, and install the four self-tapping screws you just removed.



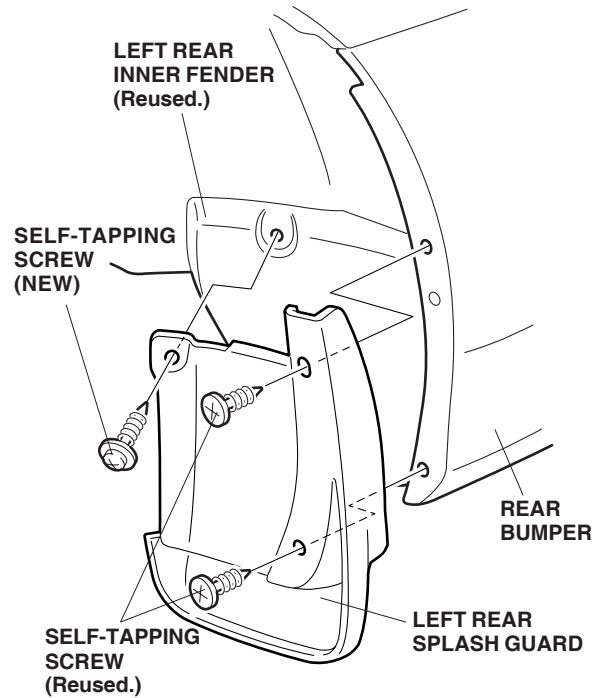
- Turn the steering wheel all the way clockwise, and repeat steps 2 and 3 to install the right front splash guard.

### Installing the Rear Splash Guards

- Remove the three self-tapping screws that secure the left rear inner fender to the rear bumper and left rear fenderwell. Discard one screw.



- Position the left rear splash guard on the rear bumper and left rear inner fender, and install the three self-tapping screws.



- Repeat steps 5 and 6 to install the right rear splash guard.