



INSTALLATION INSTRUCTIONS

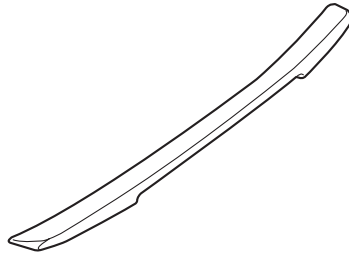
Accessory
TRUNK SPOILER (LOW)

Application
**2006 ACCORD
4-DOOR**

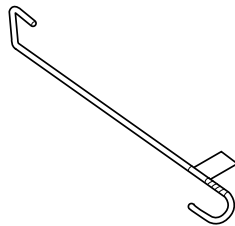
Publications No.
All 30276
Issue Date
AUG 2005

PARTS LIST

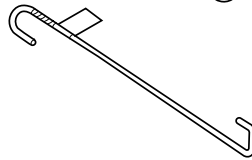
Trunk spoiler



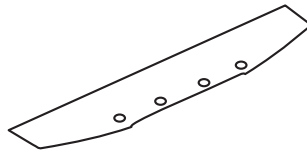
Right trunk spring
(marked green)



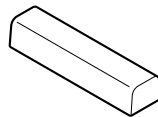
Left trunk spring
(marked purple)



Template



2 Rubber cushions



4 Washer nuts



2 Collars



TOOLS AND SUPPLIES REQUIRED

- Clip remover
- Eye protection (face shield, safety goggles, etc.)
- Drill
- 3 mm, 6 mm, 8 mm, and 11 mm Drill bits
- Drill stop
- File
- Center punch
- Touch-up paint
- Ratchet
- 10 mm Socket
- Torque wrench
- Gloves
- Trunk spring installer/remover:
P/N 07XAZ-S0K-0100
- Masking tape
- Felt-tip pen
- Shop towel
- Isopropyl alcohol
- Utility knife
- Scissors
- Tape Measure

INSTALLATION

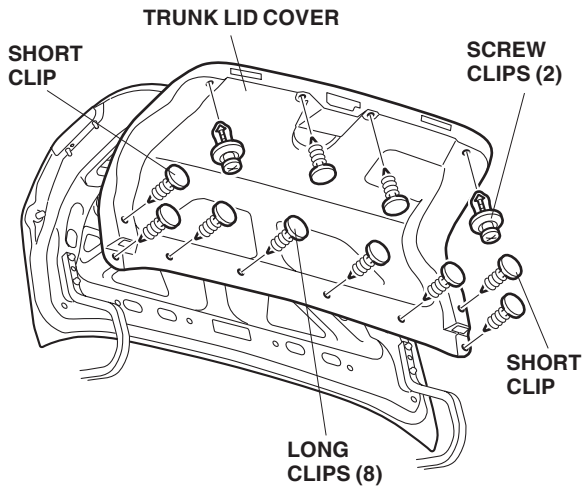
Customer Information: The information in this installation instruction is intended for use only by skilled technicians who have the proper tools, equipment, and training to correctly and safely add equipment to your vehicle. These procedures should not be attempted by "do-it-yourselfers."

NOTE:

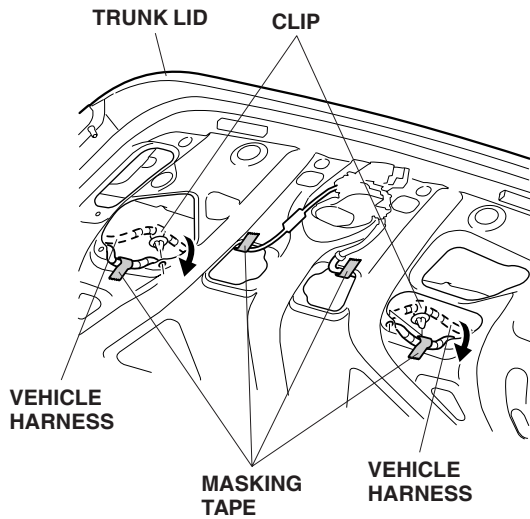
- Be careful not to damage the body paint finish.
- This trunk spoiler kit should be installed only if the ambient air temperature is 60°F (15°C) or above.
- Wash and wax the area to be covered with a high-quality paste wax.
- To allow the adhesive to cure, do not wash the car for 24 hours.

Installing the Trunk Spoiler

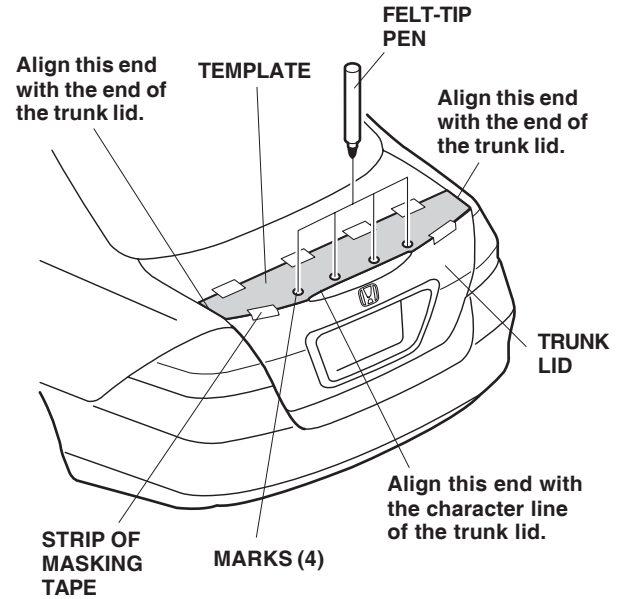
1. Open the trunk lid. If equipped, remove the trunk lid cover (two short clips, eight long clips and two screw clips).



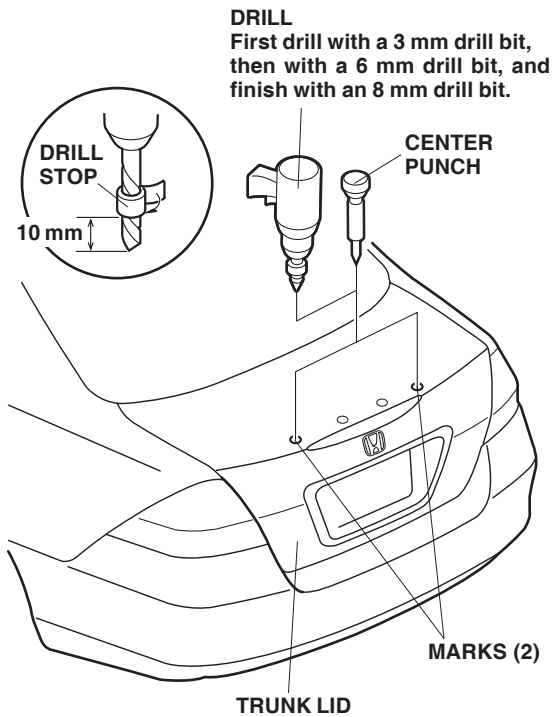
2. Remove the two clips that secure the vehicle harnesses to the trunk lid, and tape the harnesses to the trunk lid with masking tape.



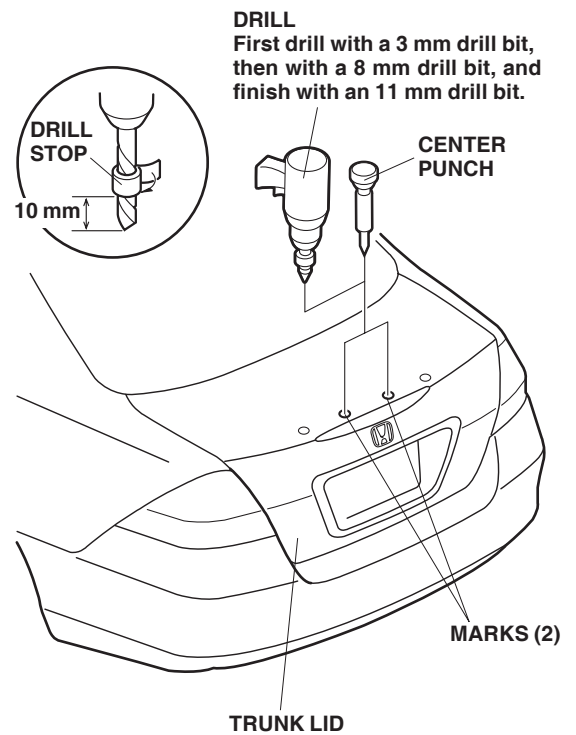
3. Close the trunk lid. Align the left and right edge of the template with the left and right edge of the trunk lid, and align the rear edge with the character line of the trunk lid. Tape the template to the trunk lid. Using a felt-tip pen, mark the trunk lid as indicated on the template. Remove the template.



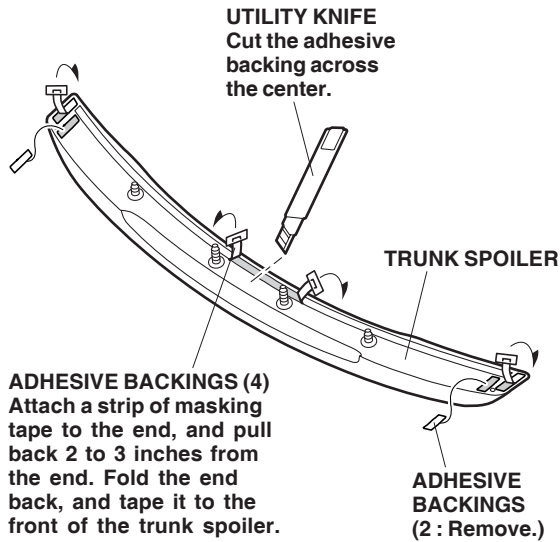
4. Lightly center-punch the two outside marks on the trunk lid. While wearing eye protection, drill a 8 mm hole through the marks as shown.
 - Using a drill stop on the end of each bit, first drill with a 3 mm drill bit, then with a 6 mm drill bit, and finish with a 8 mm drill bit.
 - Take care not to damage the wire harnesses when drilling the holes.



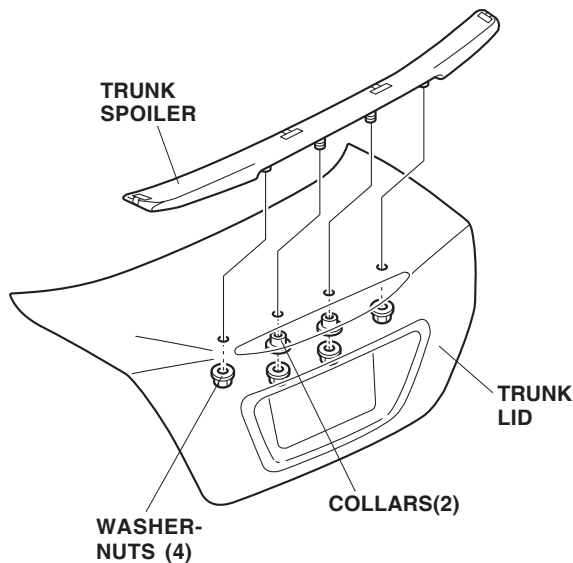
5. Lightly center-punch the two marks in the center of the trunk lid. While wearing eye protection, drill a 11 mm hole through the marks as shown.
 - Using a drill stop on the end of each bit, first drill with a 3 mm drill bit, then with a 8 mm drill bit, and finish with a 11 mm drill bit.
 - Take care not to damage the wire harnesses when drilling the holes.
 - After drilling, remove all burrs and metal shavings, and apply touch-up paint to the edges of the holes you drilled. Allow the touch-up paint to dry thoroughly before proceeding to the next step.



- On the inside of the trunk spoiler, cut the front adhesive backing across the center with a utility knife. Attach a strip of masking tape to the ends of the front and side adhesive backings, and pull back 1 to 1 1/2 inches (25 to 35 mm) of the front and side adhesive backings as shown. Fold the ends back, and tape them to the front of the trunk spoiler. On both sides, remove the small strips of adhesive backing.

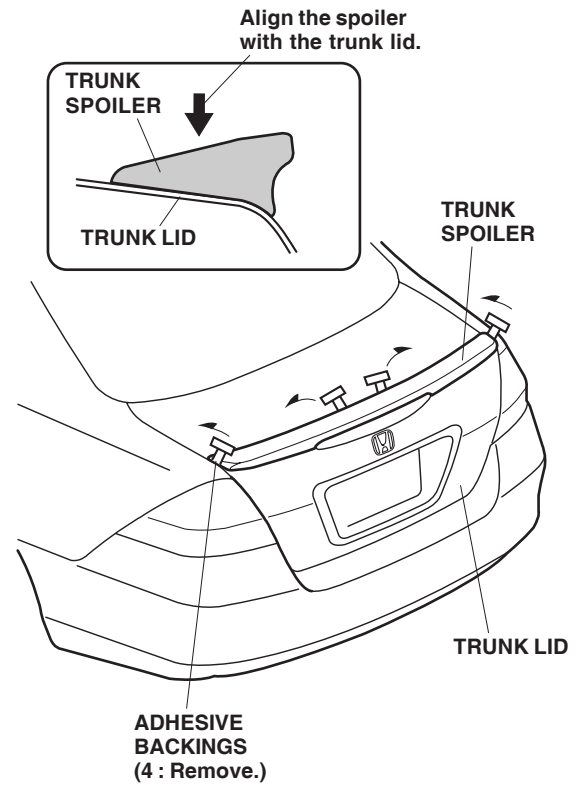


- Using isopropyl alcohol on a shop towel, thoroughly clean the area where the trunk spoiler will attach.



- Fit the trunk spoiler into position on the trunk lid by inserting the four studs into the holes in the trunk lid. With an assistant holding the trunk lid open, install the two collars and four washer-nuts, but do not tighten them yet.

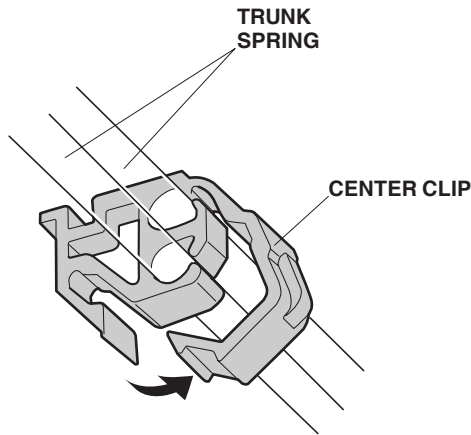
- While aligning the trunk spoiler with the trunk lid, carefully remove the adhesive backings from both sides. Hold the spoiler firmly against the trunk lid with the palm of your hand.



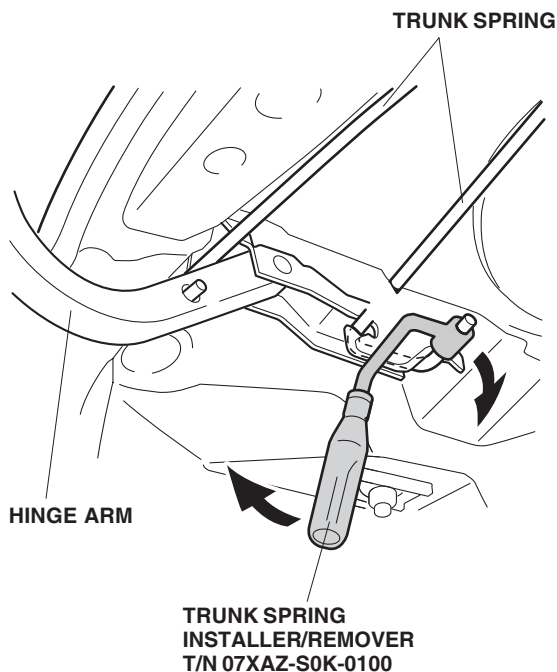
- While holding pressure on the trunk spoiler, carefully remove the front adhesive backing. Hold the spoiler firmly against the trunk lid with the palm of your hand.
- Torque the four washer-nuts to 2.0 N·m (1.5 lb-ft).
- Again, use the palm of your hand to hold the trunk spoiler firmly against the trunk lid over the adhesive tapes for 30 seconds.

Installing the Trunk Springs

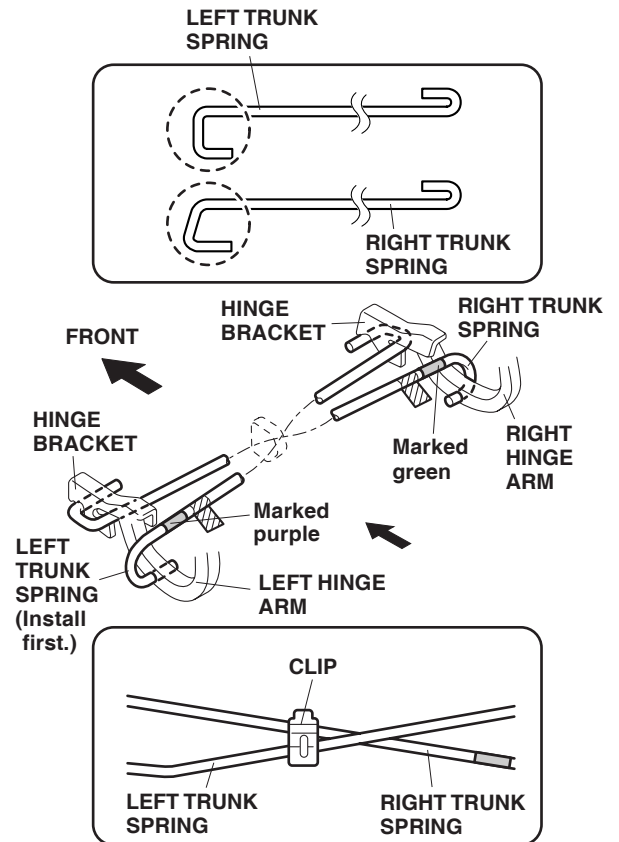
13. Open the trunk lid, and remove the center clip from the trunk springs.



14. With an assistant holding the trunk lid open, remove the old trunk springs from the trunk hinge arms using the special tool. Wear gloves to protect your hands, and pull the special tool slowly and carefully toward you.



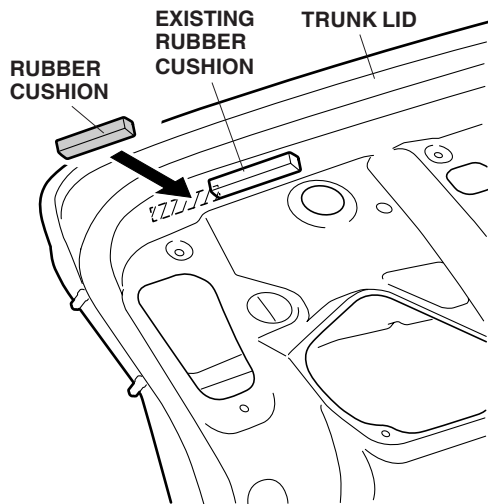
15. Install the right trunk spring and the left trunk spring in the reverse order of removal:
- Set the tool on the marked end of each trunk spring.
 - Install the green-marked spring in the slot in the right (passenger's) side trunk hinge arm and to the hinge bracket on the left (driver's) side of the car; install the purple-marked spring in the slot in the left (driver's) side trunk hinge arm and to the hinge bracket on the right (passenger's) side of the car.
 - Wearing gloves, rotate the tool as you pull it toward you.
 - Set the springs in the first notch (original position) of the hinge brackets.



16. Reinstall the center clip on the trunk springs.

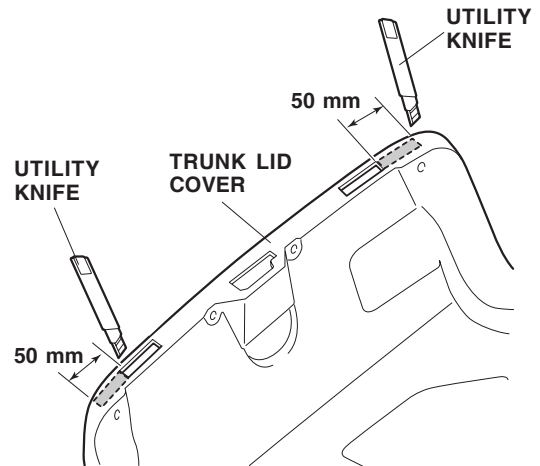
If the vehicle does not have a trunk lid cover; continue with step 17. If the vehicle has a trunk lid cover go to 19.

17. Using isopropyl alcohol on a shop towel, clean the areas where the rubber cushions will attach.

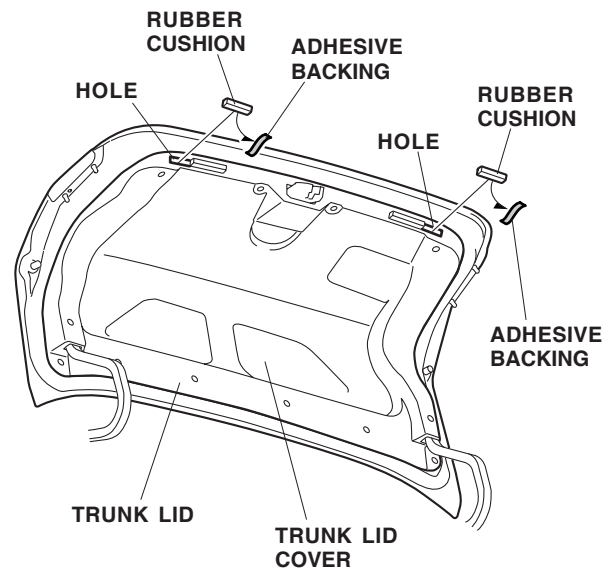


18. Remove the adhesive backing from the rubber cushion, and attach it to the inside panel of the trunk lid next to the existing rubber cushion. After attaching it, use the palm of your hand to hold pressure against it for 30 seconds. Repeat on the right side. Then go to step 23.

19. Using a tape measure and felt-tip pen, measure and mark the trunk lid cover. Using a utility knife, cut out the marked areas of the trunk lid cover.



20. Using isopropyl alcohol on a shop towel, clean the areas where the rubber cushions will attach.



21. Reinstall the two clips that secure the vehicle harness to the trunk lid.

22. Install the trunk lid cover in its original position.
23. Remove the adhesive backing from each of the two rubber cushions. Attach a rubber cushion to the trunk lid while aligning it with the hole you made in the trunk lid cover in step 19.
24. Open the trunk lid, and make sure the trunk lid stays open on its own. If it won't, adjust the trunk springs to the second position.

USE AND CARE

- Handle the spoiler with care. It is not designed to absorb impact.
- Do not open or close the trunk lid by grasping the spoiler.
- Check the spoiler mounting nuts periodically, and retighten them if necessary.