



INSTALLATION INSTRUCTIONS

Accessory

SPLASH GUARDS
P/N 08P00-S5T-100A

Application

2004-2005 CIVIC SI

Publications No.

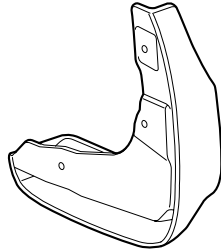
All 27951

Issue Date

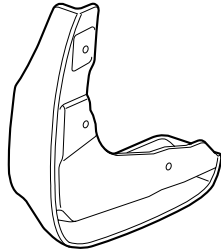
AUG 2004

PARTS LIST

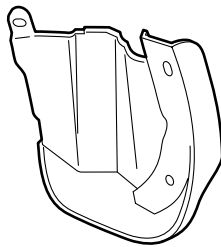
Left front splash guard



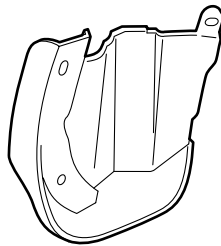
Right front splash guard



Left rear splash guard



Right rear splash guard



8 Long self-tapping screws



2 Short self-tapping screws



TOOLS REQUIRED

Stubby Phillips screwdriver

Phillips screwdriver

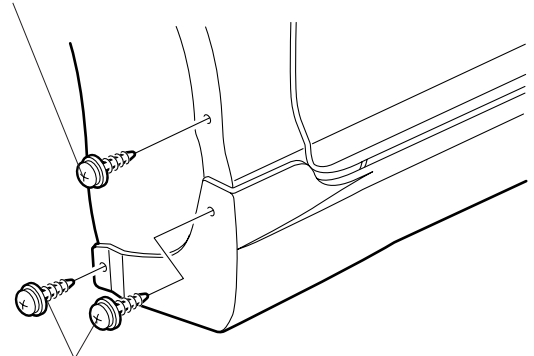
INSTALLATION

NOTE: In these instructions, the illustrations show the left splash guards being installed. The same procedure applies to installing the right splash guards.

Installing the Front Splash Guard

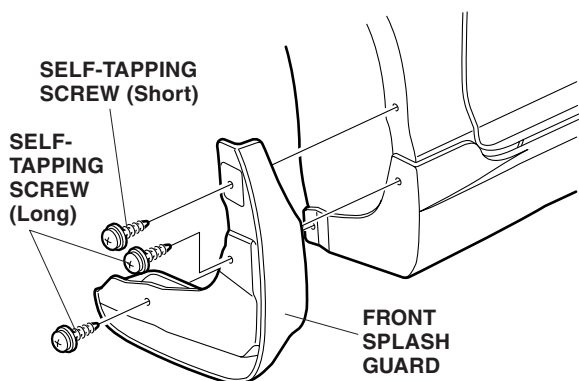
1. Make sure the area to be covered is clean and has been waxed with a high-quality paste wax.
2. Turn the steering wheel all the way counterclockwise.
3. Remove and discard the three self-tapping screws from the left front inner fender.

SELF-TAPPING SCREW
(Discard.)



SELF-TAPPING SCREW
(Discard.)

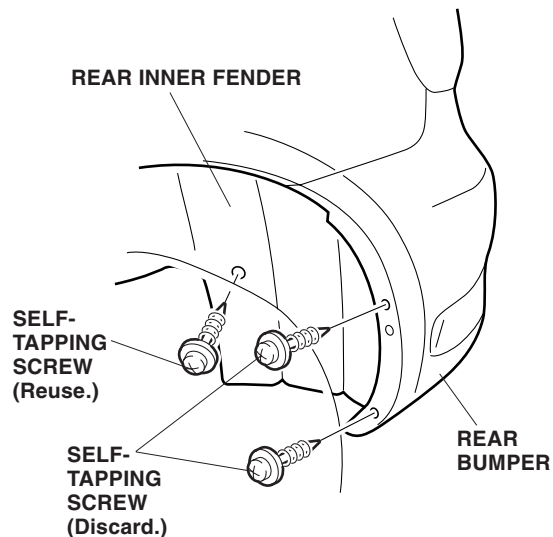
- Position the front splash guard on the inner fender, and install two long self-tapping screws and one short self-tapping screw from the kit.



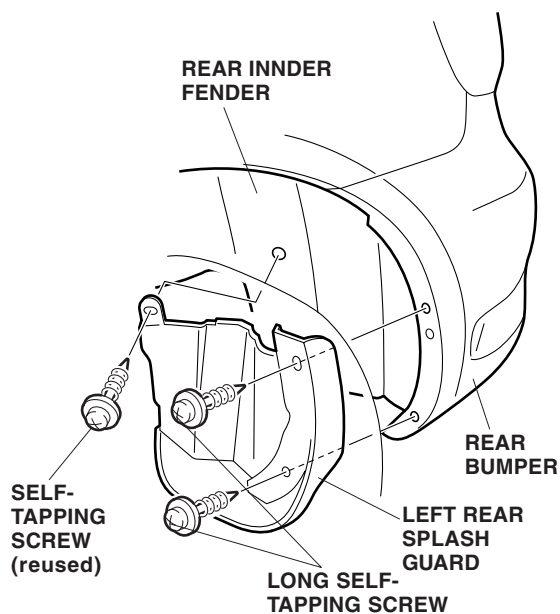
- Turn the steering wheel all the way clockwise, and repeat steps 3 and 4 to install the right front splash guard.

Installing the Rear Splash Guard

- Make sure the area to be covered is clean and has been waxed with a high-quality paste wax.
- Remove the three self-tapping screws from the rear bumper and rear inner fender.



- Position the left rear splash guard on the rear bumper, and install two long self-tapping screws from the kit and one self-tapping screw (reused).



- Repeat steps 7 and 8 to install the right rear splash guard.