



INSTALLATION INSTRUCTIONS

Accessory

HATCH SPOILER

Application

2004-2005 CIVIC SI

Publications No.

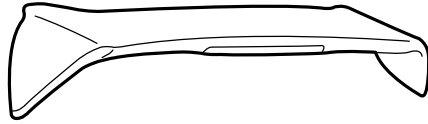
All 27939

Issue Date

AUG 2004

PARTS LIST

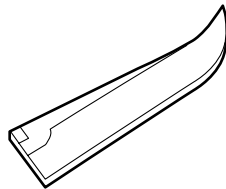
Hatch spoiler



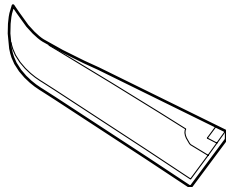
2 Nuts



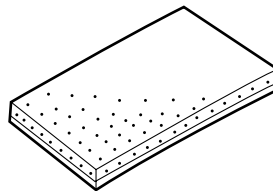
Film tape (Right)



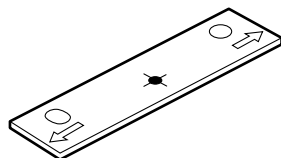
Film tape (Left)



EPT sealer



Template



Primer



TOOLS AND SUPPLIES REQUIRED

Flat-tip screwdriver

Ratchet

10 mm Socket

Isopropyl alcohol

Shop towel

Drill

3 mm Drill bits

Drill stop

20 mm Hole saw

Center punch

File

Touch-up paint

Eye protection (face shield, safety goggles, etc.)

String

Utility knife

Paper towels

Detergent solution (100:1)

Squeegee (plastic)

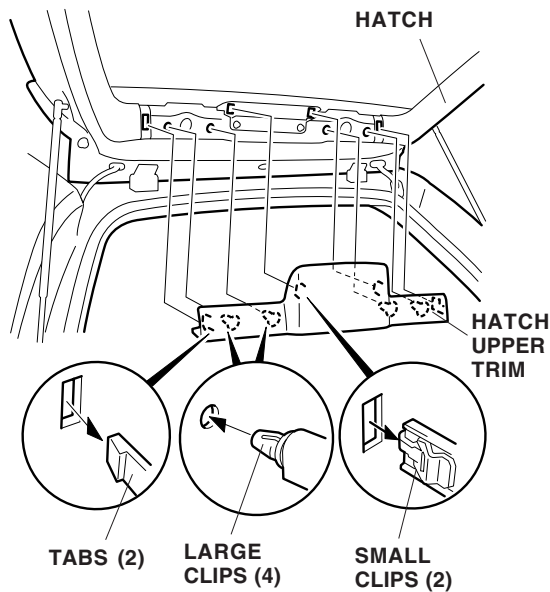
Spray bottle, 16-ounce

Masking tape

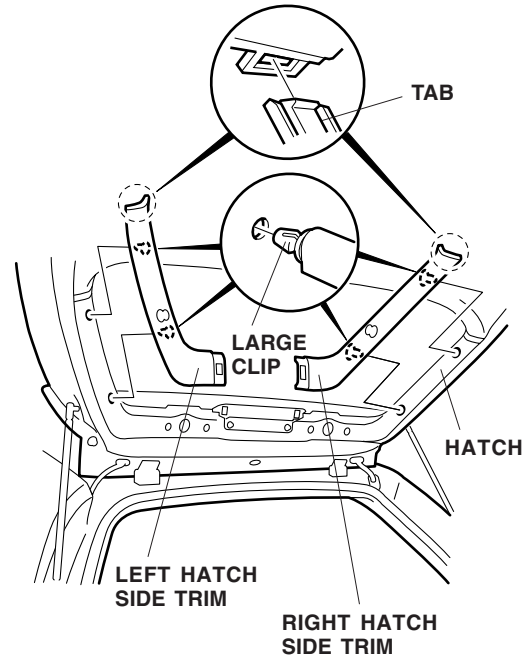
INSTALLATION

NOTE:

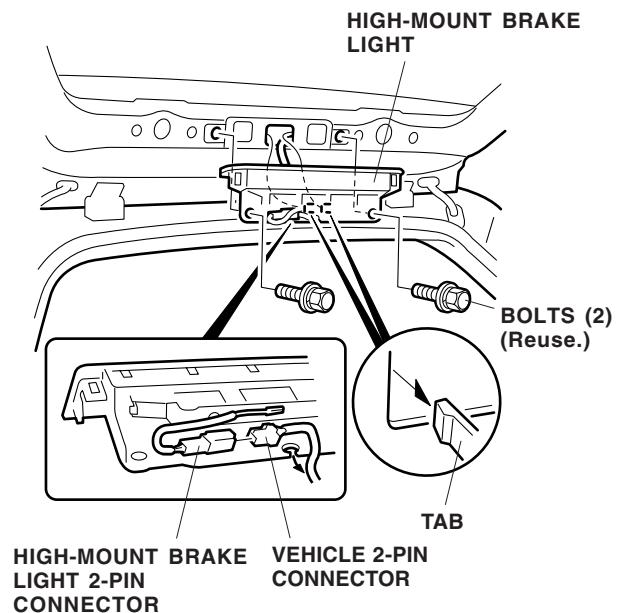
- Be careful not to damage the hatch and the body paint finish.
 - Note the locations of all parts before removal so they can be reinstalled correctly.
 - The hatch spoiler should be installed only if the outside air temperature is 60°F (15°C) or above.
 - To allow the adhesive to cure, do not wash the car for 24 hours.
 - Read the label on the primer before using.
 - Prepare a solution of 1:100 liquid dishwashing soap and water (about 1/2 capful of dishwashing soap in 16 ounces of water) in a spray bottle.
1. Open the hatch, and pull the hatch upper trim toward you to remove it (two small clips, four large clips, and two tabs).



2. Remove the side trims by pulling the right and left side hatch trims out toward you (two large clips and one tab).

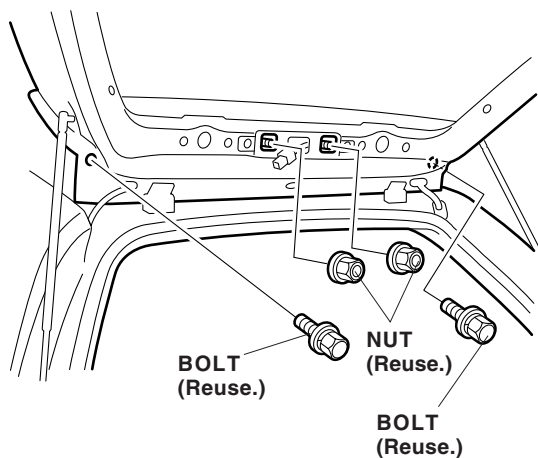


3. Remove the high-mount brake light from the hatch (two bolts, and two tabs).

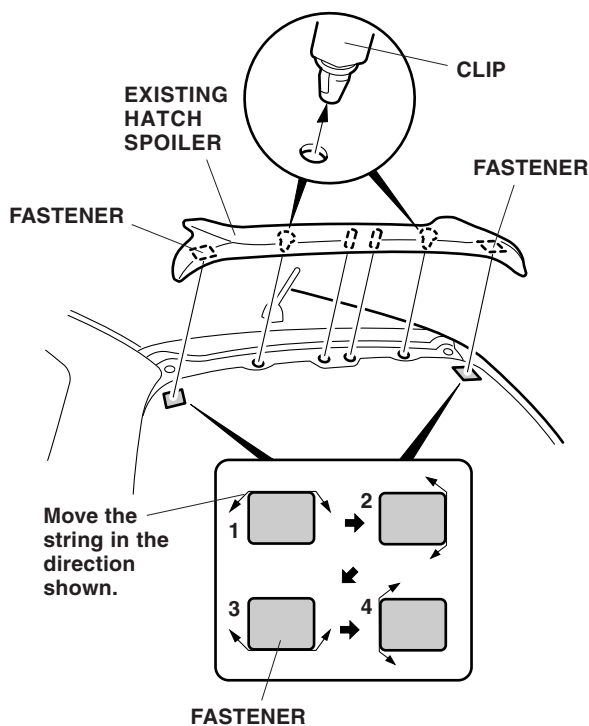


4. Disconnect the 2-pin connector on the rear of the high-mount brake light from the vehicle 2-pin connector, and remove the high-mount brake light from the hatch.

- Remove the two bolts and the two nuts that attach the existing spoiler from the hatch.

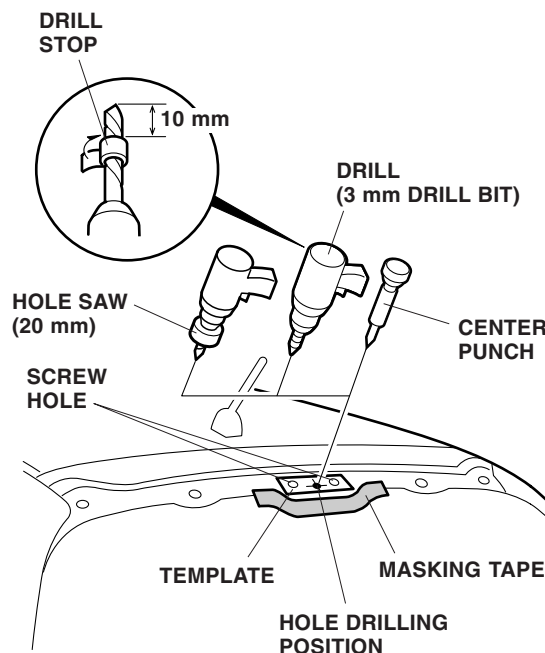


- Close the hatch, and remove the spoiler (two clips and two fasteners).



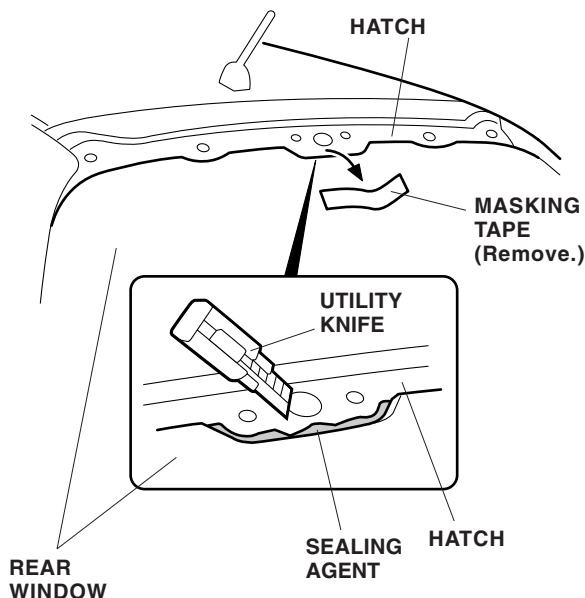
- Use string to remove the two fasteners at the upper corners of the rear window. Afterward, use isopropyl alcohol to wipe off any traces of adhesive.

- Seal the clearance between the upper ends of the rear window and hatch with masking tape.

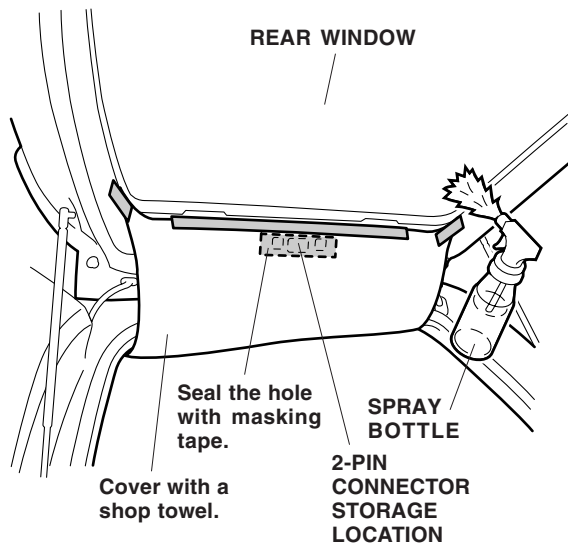


- Place the template onto the hatch at the position shown, and mark the hole positions indicated on the template with a center punch.
- While wearing eye protection, use a 3 mm drill and a 20 mm hole saw to drill holes at the positions marked in the preceding step. To prevent damage to the inner harnesses, use a drill stop. After drilling, clean any metal shavings from around the holes; using a file, remove any burrs from the edges of the holes, and apply touch-up paint.

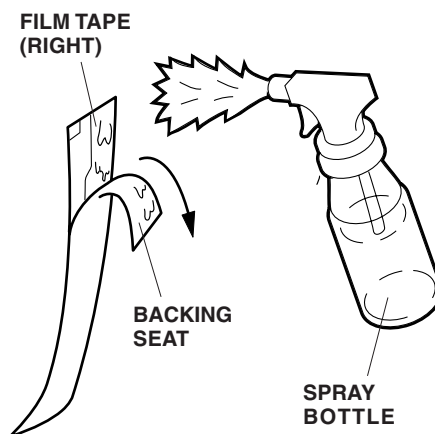
- Remove the masking tape. Using a utility knife, trim away any visible sealing agent from the upper edge of the rear window.



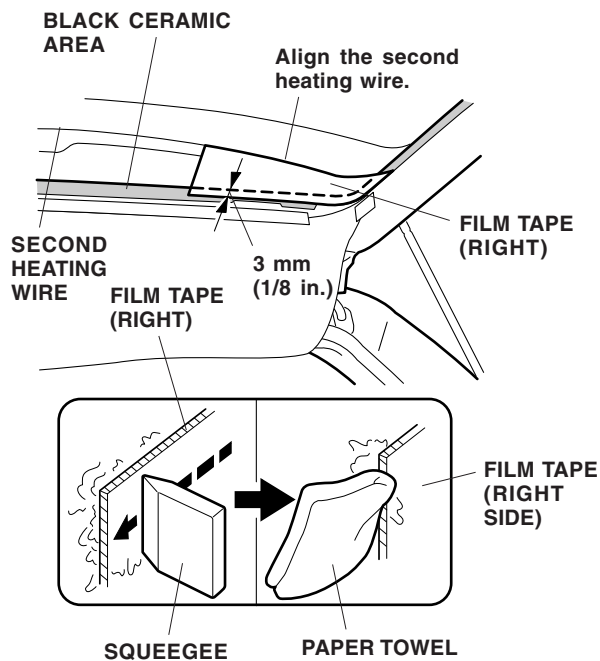
- Open the hatch; using isopropyl alcohol, clean the surface on the inside of the rear window where the film tape will attach.
- Seal the hole and surrounding area at the center of the hatch with tape as shown. To prevent overspray of the detergent solution, use tape to attach a shop towel as shown. Using the spray bottle, spray the detergent solution uniformly onto the lower right side of the rear window (the attachment surface for the film tape).



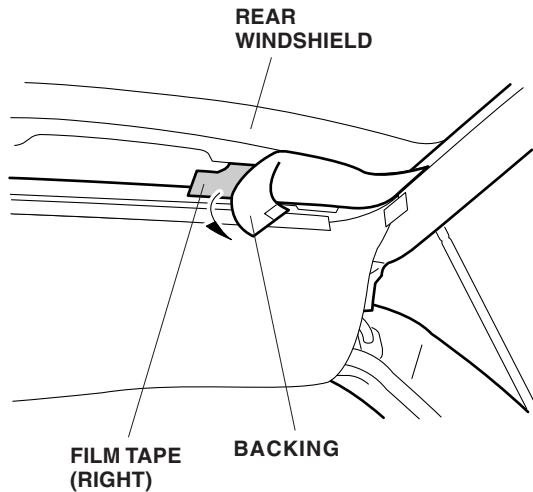
- Peel off the backing from the film tape right after spraying the detergent solution. When the backing is off, spray the detergent solution onto the entire adhesive surface of the film tape.



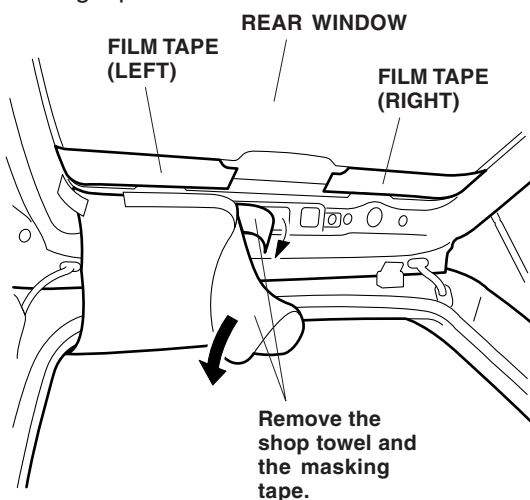
- Align the upper edge of the film tape with the second heating wire on the rear window (as counted down from the top of the hatch), and align the lower edge with the black-ceramic area, overlapping the tape 1/8 in. (3 mm) as shown. Position the film tape on the rear window carefully because once attached and dry, correction is impossible.



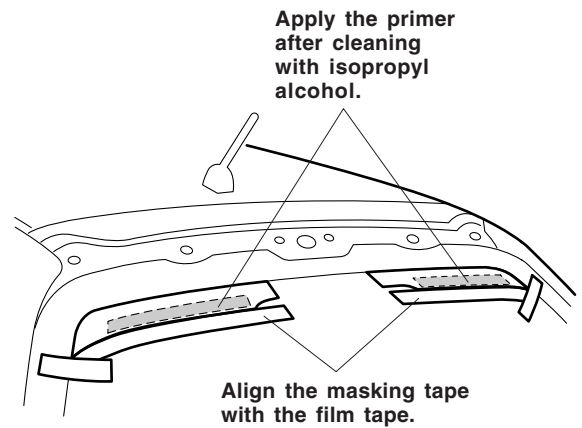
- Using a plastic squeegee, press out any detergent solution and bubbles; using paper towels, wipe any remaining detergent solution from around the film tape. Allow the film tape to air dry.



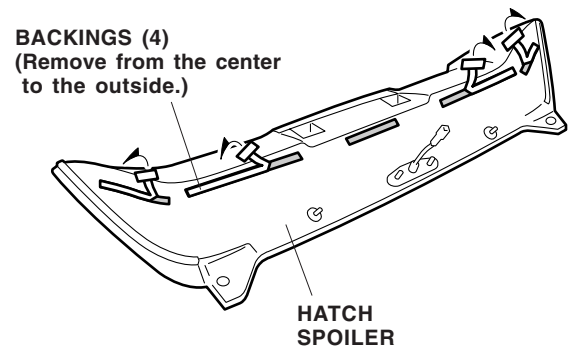
- Remove the backing from the film tape.
- Repeat the steps 12 thru 17 to attach the film tape to the left side.
- When attachment of the left and the right film tapes is complete, remove the shop towel and the masking tape.



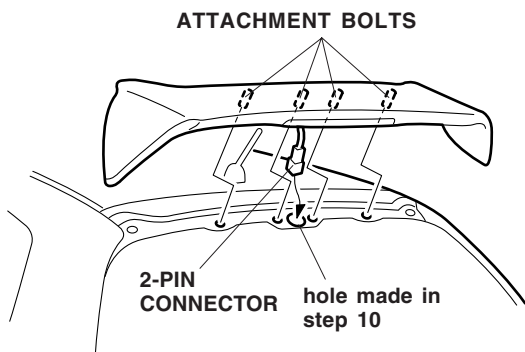
- Close the hatch. On the surface, apply masking tape to the rear window by aligning it with the lines of the film tapes as shown. Using isopropyl alcohol on a shop towel, clean the area where the hatch spoiler will attach.



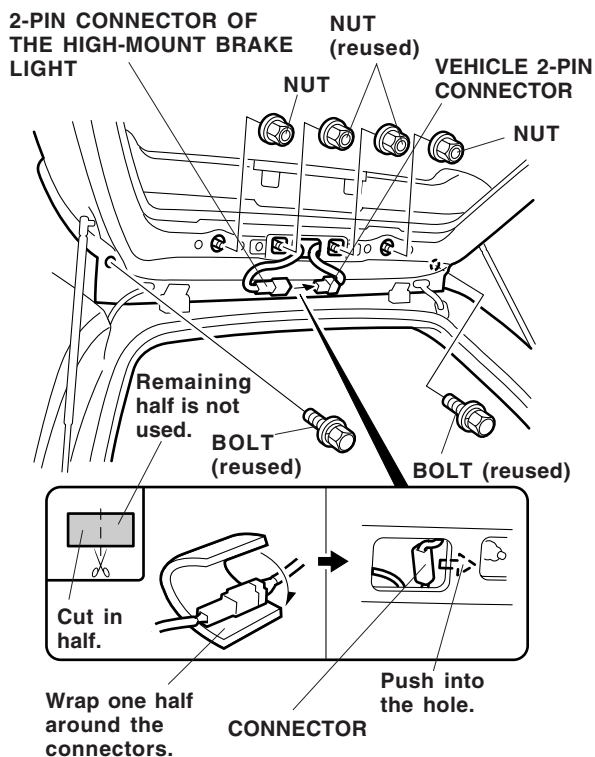
- Apply the primer to the areas you just cleaned. Remove the masking tape after the primer is dry.
- Peel off 1½ in. (39 to 50 mm) of each of the four backings on the underside of the hatch spoiler, peeling from the center of the hatch spoiler to the outside as shown. Attach the backings with masking tape to the front of the hatch spoiler.



23. Using isopropyl alcohol on a shop towel, clean the hatch surfaces where the spoiler will attach.
24. Route the 2-pin connector of the high-mount brake light through the hole made in step 10, and install the hatch spoiler by inserting the four attachment bolts.

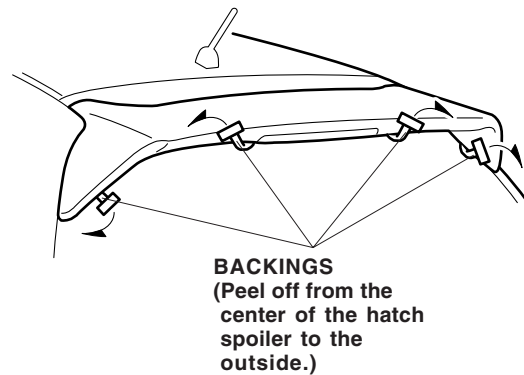


25. While holding the hatch spoiler in place with one hand, open the hatch with your other hand; secure the spoiler with the two bolts and four nuts. Torque the nuts to 8.8 N·m (6.5 lb-ft).

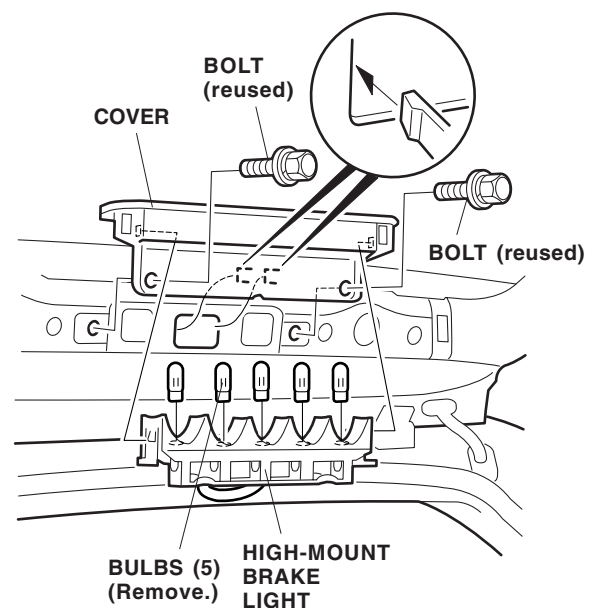


26. Connect the high-mount brake light 2-pin connector into the 2-pin connector of the vehicle harness. Cut the EPT sealer in half, wrap one half around the connectors, and push them into the center hole of the hatch. (The remaining half of the EPT sealer is not used.)

27. Close the hatch, peel off the four backings sequentially from the center of the hatch spoiler to the outside, and apply pressure for at least 30 seconds to attach the spoiler.



28. Open the hatch, remove the cover from the high-mount brake light, and remove the five bulbs from the inside. After removing the bulbs, reinstall the cover, and secure the cover with two bolts onto the inside of the hatch.



29. Reinstall the upper hatch side and upper trims onto the hatch in their original positions.