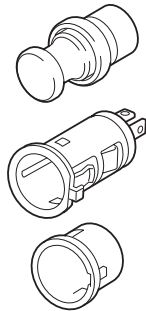


# INSTALLATION INSTRUCTIONS

Accessory	Application	Publications No.
<b>CIGARETTE LIGHTER P/N 08U96-S9A-100</b>	<b>2002-2005 CIVIC Si</b>	<b>All 27937</b>
		Issue Date
		<b>AUG 2004</b>

## PARTS LIST

Cigarette lighter



## TOOLS AND SUPPLIES REQUIRED

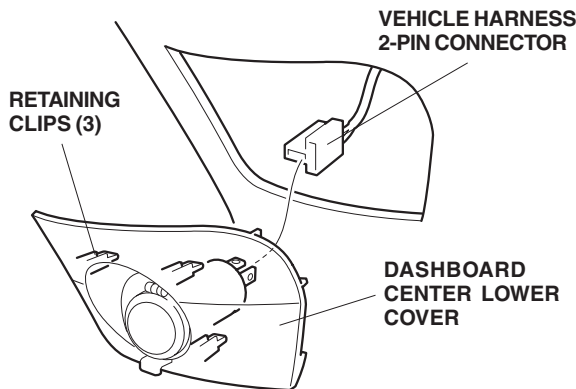
Flat-tip screwdriver

10 mm Combination wrench

## INSTALLATION

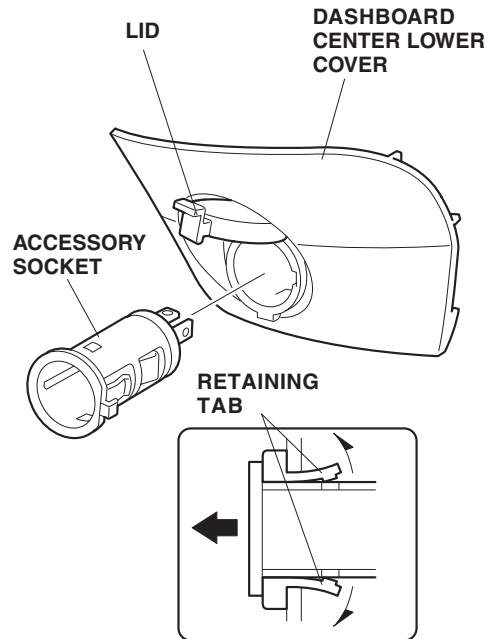
**Customer Information:** The information in this installation instruction is intended for use only by skilled technicians who have the proper tools, equipment, and training to correctly and safely add equipment to your vehicle. These procedures should not be attempted by "do-it-yourselfers."

1. Make sure you have the anti-theft code for the radio, then write down the radio station presets.
2. Disconnect the negative cable from the battery.
3. Pull the dashboard center lower cover toward you to release the three retaining clips. Take care not to damage the retaining clips.

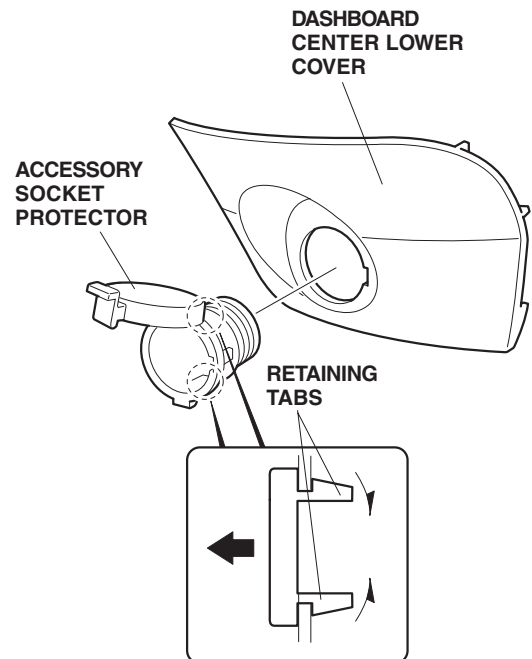


4. Unplug the vehicle harness 2-pin connector from the accessory socket, and remove the dashboard center lower cover.

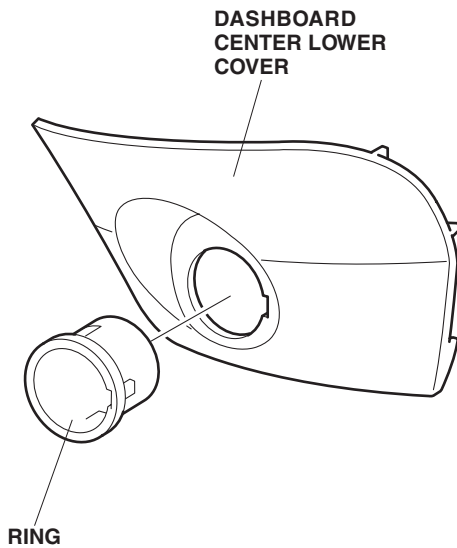
5. Open the lid, and remove the accessory socket from the dashboard center lower cover by releasing the two retaining tabs.



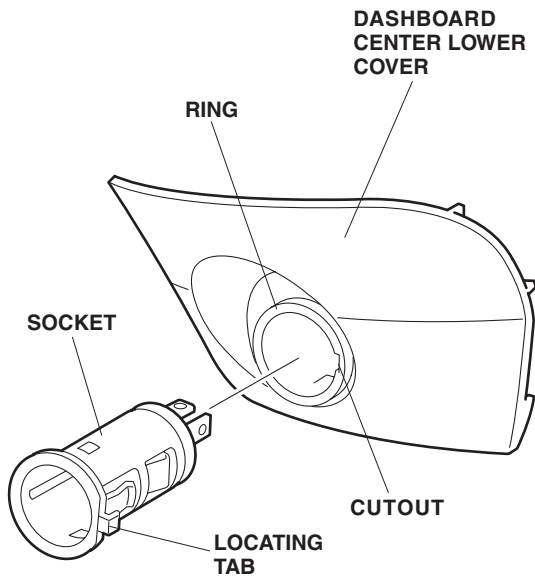
6. Remove the accessory socket protector from the dashboard center lower cover by releasing the two retaining tabs.



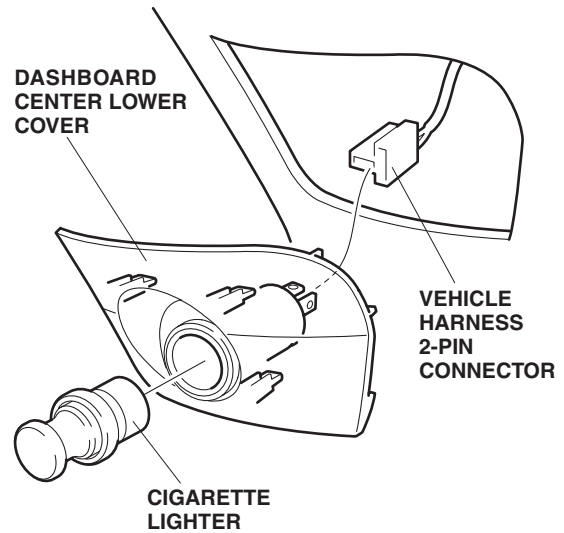
- Slide the ring into the hole in the dashboard center lower cover in the direction shown.



- Align the locating tab of the socket with the cutout in the ring, and slide the socket of the cigarette lighter into the ring.



- Reconnect the vehicle harness 2-pin connector to the cigarette lighter, then reinstall the dashboard center lower cover. Make sure that all retaining clips are securely fastened.



- Push the cigarette lighter into the socket.
- Reconnect the negative cable to the battery.
- Reset the clock and the radio station presets.
- Test the function of the cigarette lighter.
- Do the engine control module (ECM) idle learn procedure. The idle learn procedure must be done so the ECM can learn the engine idle characteristics. To complete the idle learn procedure, do this:
  - Make sure all electrical items (A/C, audio, rear defogger, lights, etc.) are off.
  - Start the engine, and hold it at 3,000 rpm with no load (in neutral) until the radiator fan comes on, or until the engine coolant temperature reaches 194°F (90°C).
  - Let the engine idle for 5 minutes with the throttle fully closed.

**NOTE:** If the radiator fan comes on, do not include its running time in the 5 minutes.