



INSTALLATION INSTRUCTIONS

Accessory

SKI/SNOWBOARD ATTACHMENTS
P/N 08L03-TA1-101

Application

2002-2004 CR-V

Publications No.

All 23089

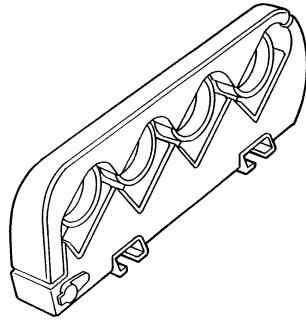
Issue Date

NOV 2001

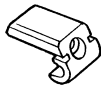
Keep this information in the glove box for future reference.

PARTS LIST

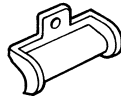
2 Ski/snowboard attachments



4 Holders



4 Rubber spacers



4 Bolts



4 Plain washers



4 Lock washers



Key



TOOLS REQUIRED

Phillips screwdriver

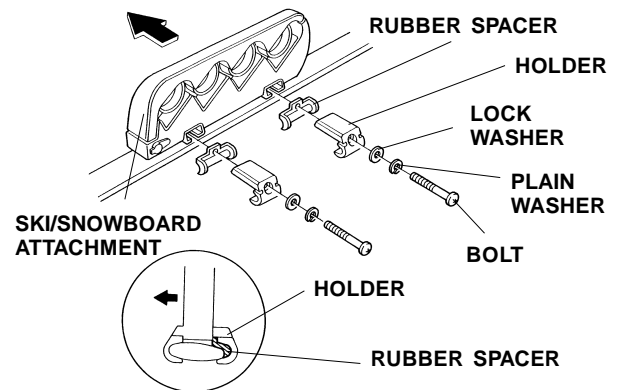
INSTALLATION

NOTE:

- The ski/snowboard attachments are designed to be used exclusively with a Honda roof rack, which is sold separately. If the vehicle is not equipped with a roof rack, have the recommended roof rack on hand, and install the roof rack before installing the ski/snowboard attachment.
- The ski/snowboard attachments may be installed either with both on the driver's side or with both on the passenger's side.

Installing the Attachments on the Driver's Side

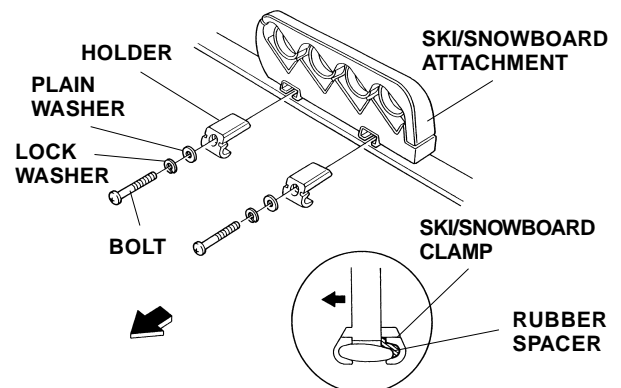
- Position the ski/snowboard attachment on the cross bar of the roof rack with the key cylinder facing toward you.
- Install the rubber spacer into the holder, and insert the holder into the ski/snowboard attachment. Install one bolt with a lock washer and a plain washer through the hole in the rubber spacer and into the attachment.



- Install the other rubber spacer, bolt and washers the same way, and tighten the bolts securely.
- Install the other ski/snowboard attachment onto the other crossbar the same way as you installed the first attachment.

Installing the Attachments on the Passenger's Side

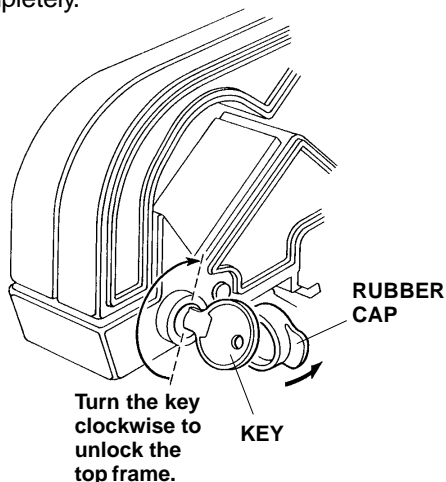
- Insert both rubber spacers into the clamps on the ski/snowboard attachment, then position the ski/snowboard attachment on the cross bar of the roof rack with the key cylinder facing toward you.



2. Insert the holder into the ski/snowboard attachment. Install one bolt with a lock washer and a plain washer into the ski/snowboard attachment and through the hole in rubber spacer.
3. Install the other bolt and washers the same way, and tighten the bolts securely.
4. Install the other ski/snowboard attachment the same way as you installed the first attachment.

Loading the Skis/Snowboard on the Vehicle

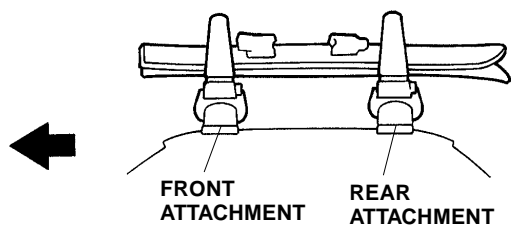
1. Remove the rubber cap; insert the key, and turn it clockwise to unlock the top frame. Open the top frame completely.



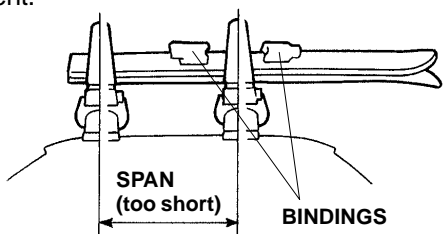
2. Position the skis or the snowboard on the attachment:

Skis

- Load with the rear of the skis facing forward and the bindings between the front and rear attachments.

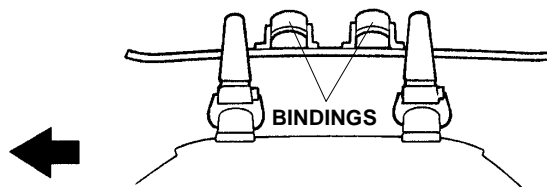


- If the bindings cannot be positioned between the front and rear attachments, install the skis with one of the bindings positioned behind the rear attachment.

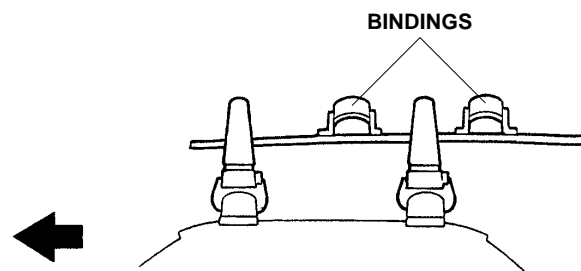


Snowboard

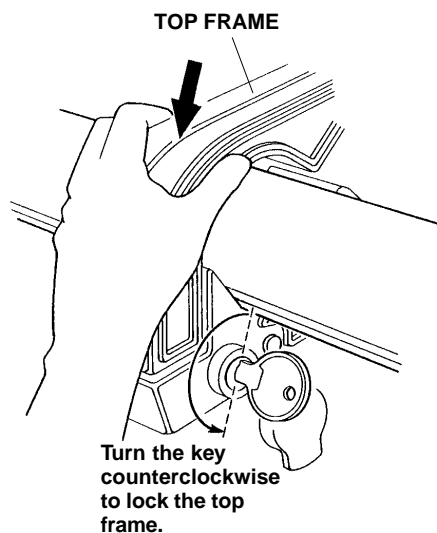
- Load with the bindings between the front and rear attachments.



- If the bindings cannot be positioned between the front and rear attachments, install the snowboard with one of the bindings positioned behind the rear attachment.



3. Close the top frame. While holding the top frame firmly against the ski/snowboard, lock the top frame by turning the key counterclockwise.



4. Remove the key, and reinstall the rubber cap.
5. Put the two keys and this instruction in the glove box for future use.