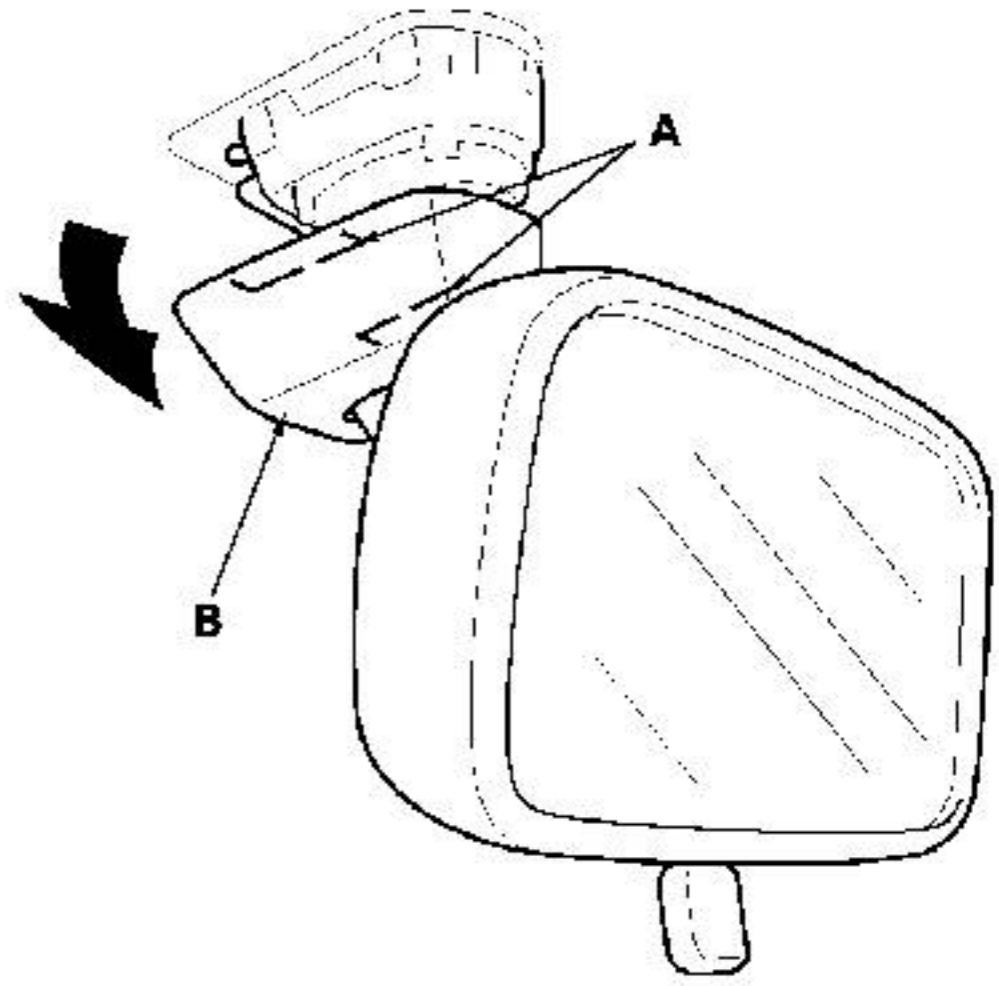




1. Release the hooks (A), then pull the mirror base cover (B) down.

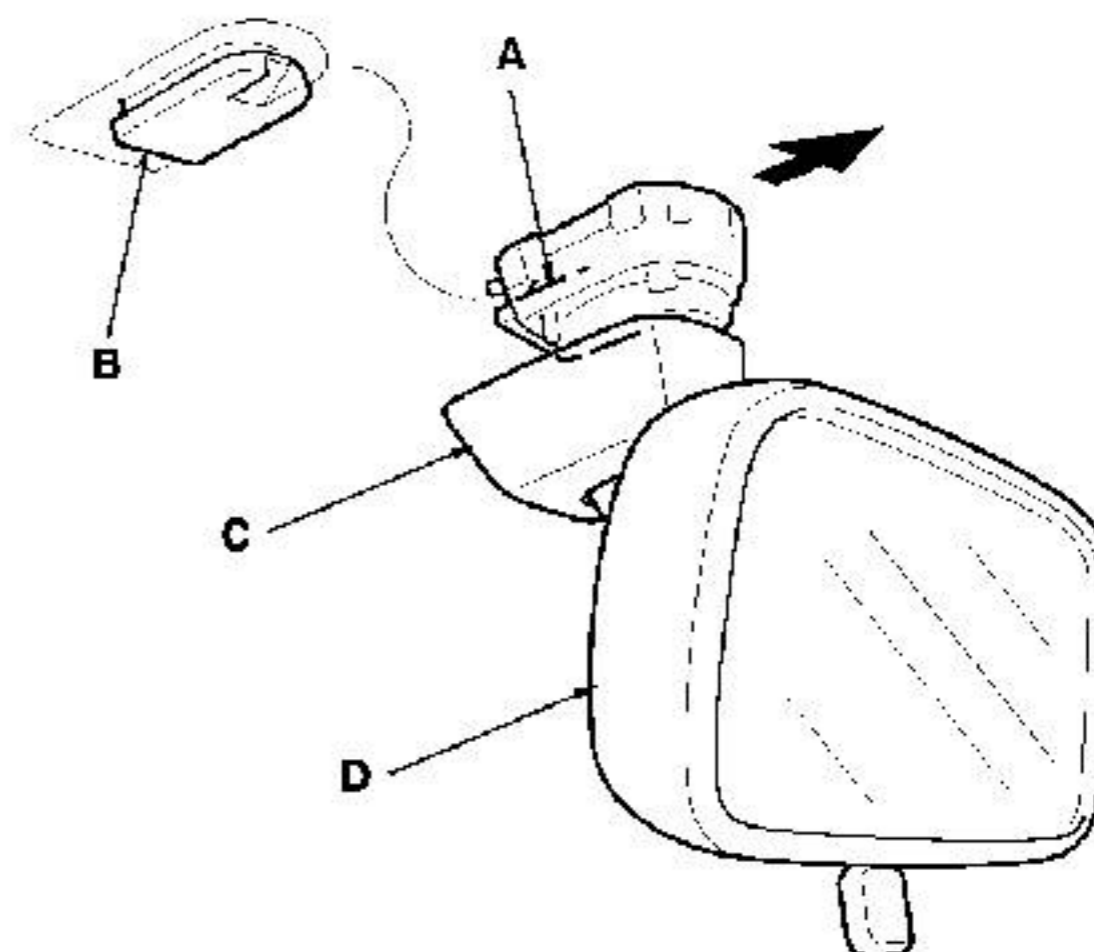




## 2005 CR-V - Rearview Mirror Replacement

## Screen 2 of 3

2. Pull the hook (A) down to release it from the mount (B), and slide the mirror base (C) rearward, then remove the rearview mirror (D).
3. Install the mirror base cover on the mirror base securely.





## 2005 CR-V - Rearview Mirror Replacement

## Screen 3 of 3

4. Fit the mirror base (A) over the mount (B), and secure the rearview mirror with the spring (C) and hook (D).

