



# INSTALLATION INSTRUCTIONS

Accessory

KEYLESS ENTRY  
P/N 08E60-S9A-100

Application

2002-2004 CR-V

Publications No.

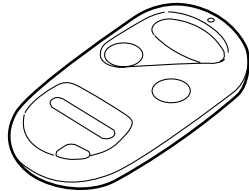
All 23081

Issue Date

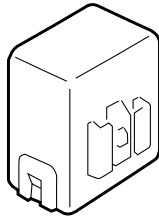
NOV 2001

## PARTS LIST

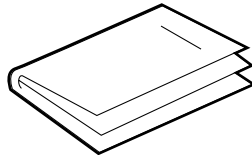
2 Transmitters



Receiver unit



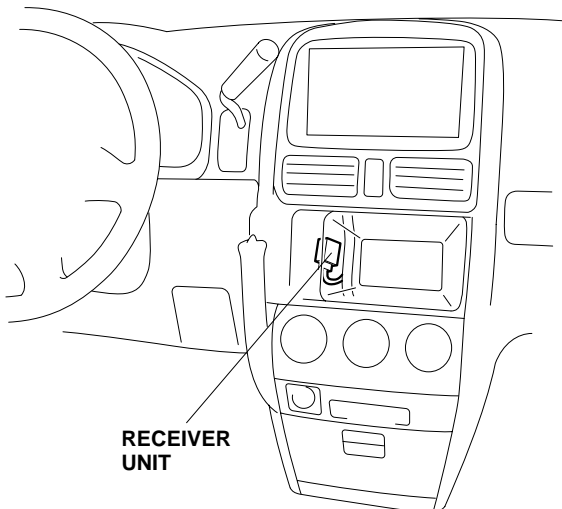
Owner's manual



## TOOL REQUIRED

#2 Phillips screwdriver

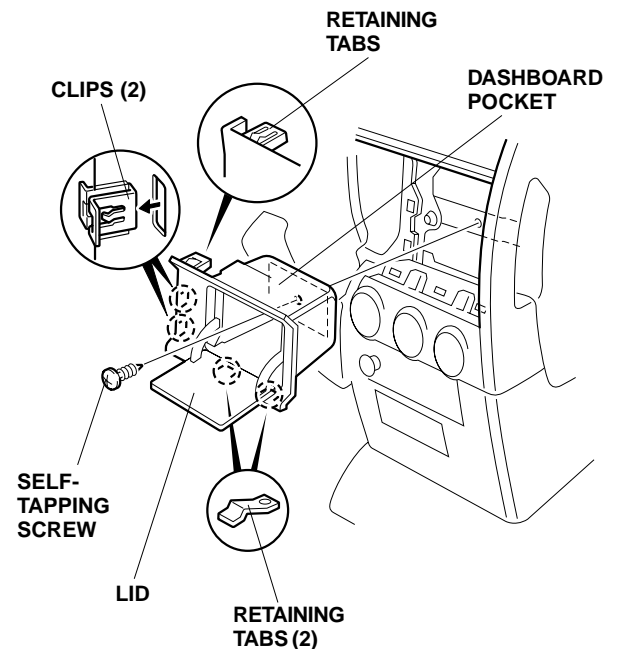
### Illustration of the Keyless Entry Installed on the Vehicle



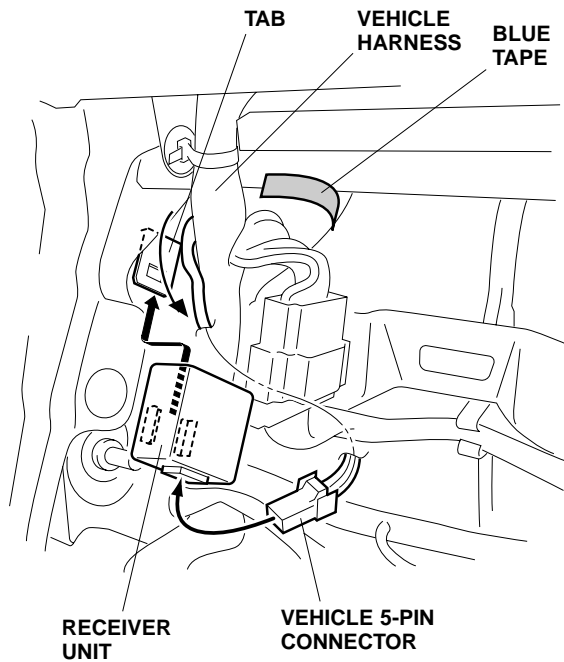
## INSTALLATION

**Customer Information:** The information in this installation instruction is intended for use only by skilled technicians who have the proper tools, equipment, and training to correctly and safely add equipment to your vehicle. These procedures should not be attempted by "do-it-yourselfers."

1. Make sure you have the anti-theft code for the radio, then write down the frequencies for the preset buttons.
2. Disconnect the negative cable from the battery.
3. Open the lid. Remove the dashboard pocket (one self-tapping screw, and pull out to release the two clips and three retaining tabs).



- Slide the receiver unit onto the tab located at the left corner of the pocket opening. Locate the 5-pin connector blue-taped to the vehicle harness, and remove the blue tape to free the connector. Plug the 5-pin connector into the receiver unit.



- Reinstall the dashboard pocket.
- Reconnect the negative cable to the battery.
- Enter the customer's radio anti-theft code, and reset the radio station presets.
- Reset the clock.

**NOTE:** Whenever the battery is disconnected, the driver's AUTO window function is disabled.

- Start the engine. Push down on the driver's window switch until the window is fully open.
- Pull up on the driver's window switch to close the window completely, then hold the switch for a second or two more.
- Test the AUTO window function.