



INSTALLATION INSTRUCTIONS

Accessory

CARGO TRIM
P/N 08P45-S9A-100

Application

2002-2006 CR-V

Publications No.

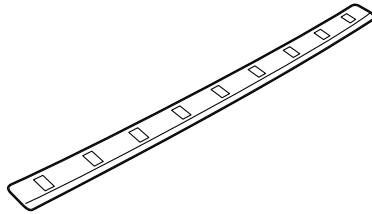
All 30550

Issue Date

SEP 2005

PARTS LIST

Cargo trim



SUPPLIES REQUIRED

Isopropyl alcohol

Shop towel

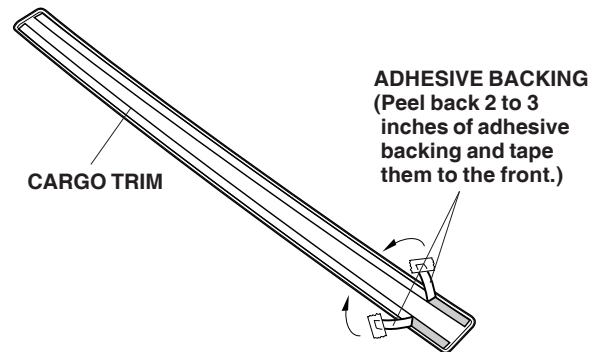
Masking tape

INSTALLATION

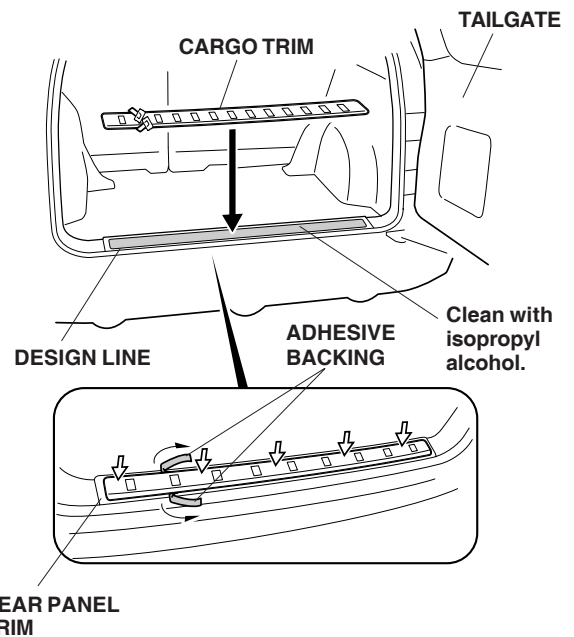
NOTE:

- Be careful not to damage the body paint finish.
- This cargo protector should be installed only if the outside air temperature is 60°F (15°C) or above.

1. Open the tailgate. Using isopropyl alcohol on a shop towel, clean the area where the cargo protector will attach.
2. Peel back about 2 to 3 inches of adhesive backing from the back of the cargo trim and tape them to the front of the cargo trim.



3. Attach the cargo trim on top of the existing rear panel trim.



4. Attach the cargo trim by removing the adhesive backings. Hold pressure on the rear panel trim for 30 seconds.