



# INSTALLATION INSTRUCTIONS

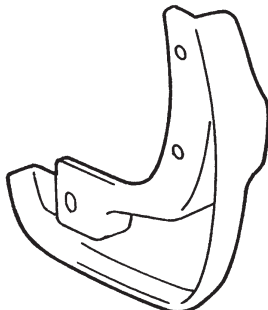
Accessory  
**SPLASH GUARDS**  
2-DOOR: P/N 08P00-S5P-100A  
4-DOOR: P/N 08P00-S5D-100A

Application  
**2004-2005 CIVIC**  
**2- AND 4-DOOR**

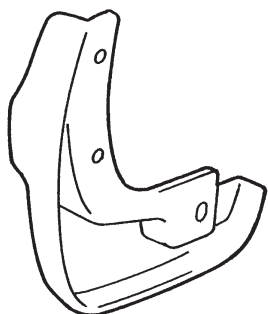
Publications No.  
**All 27877**  
Issue Date  
**AUG 2004**

## PARTS LIST

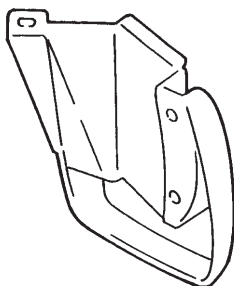
Left front splash guard



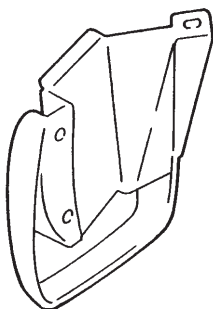
Right front splash guard



Left rear splash guard



Right rear splash guard



6 Self tapping screws



4 Spring nuts



2 Plastic grommets



## TOOLS REQUIRED

Stubby Phillips screwdriver

Phillips screwdriver

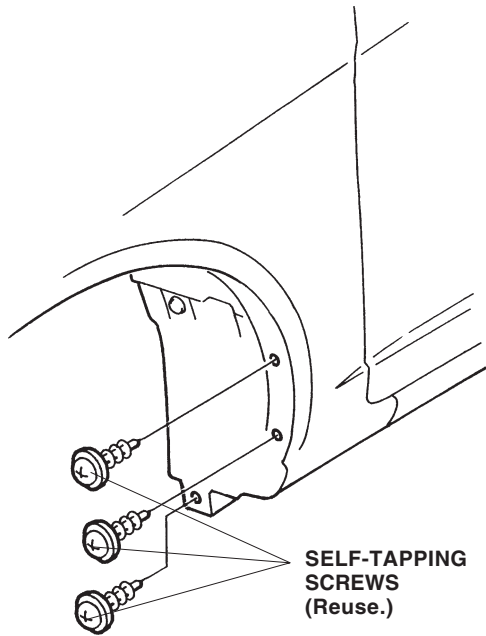
## INSTALLATION

NOTE: These instructions show the left splash guards being installed; the same procedure applies to installing the right splash guards.

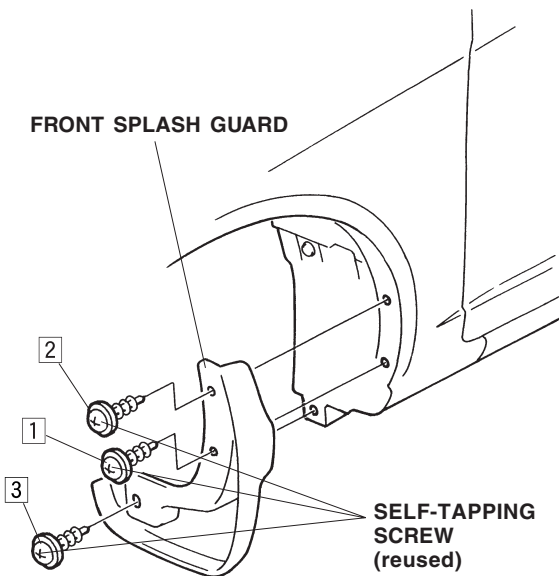
### Installing the Front Splash Guards

1. Clean and wax the area to be covered with a high-quality paste wax.

- Turn the steering wheel all the way counterclockwise.
- Remove and retain the three self-tapping screws that fasten the left front inner fender to the front fender and fenderwell.



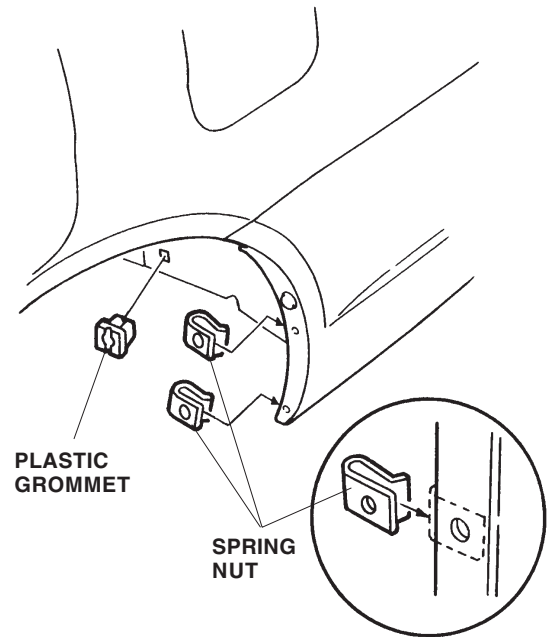
- Position the splash guard on the inner fender, and install the three self-tapping screws you removed. Tighten the three self-tapping screws in the order shown.



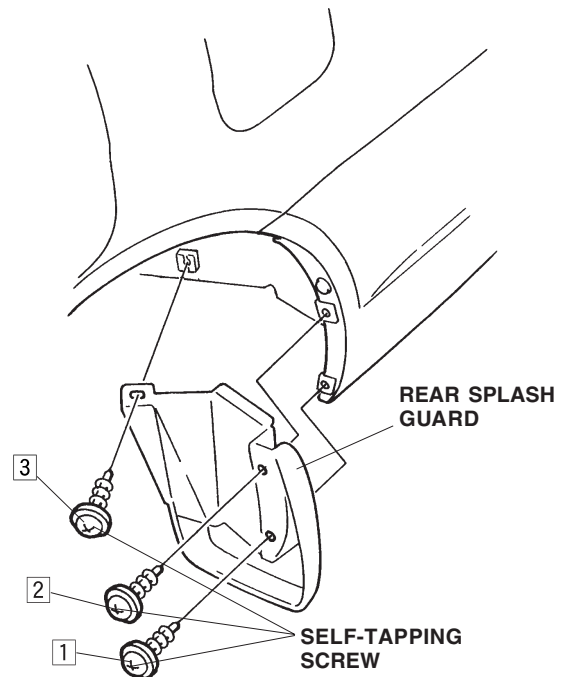
- Turn the steering wheel all the way clockwise, and repeat steps 3 and 4 to install the right front splash guard.

### Installing the Rear Splash Guards

- Slide the two spring nuts over the dimpled areas of the rear bumper. Push one plastic grommet into the square hole in the left rear inner fender.



- Position the left rear splash guard on the rear bumper, and install three self-tapping screws. Tighten the self-tapping screws in the order shown.



- Repeat steps 6 and 7 to install the right rear splash guard.