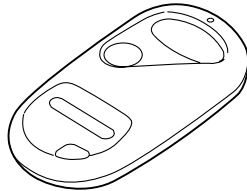
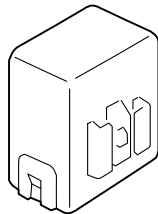


PARTS LIST

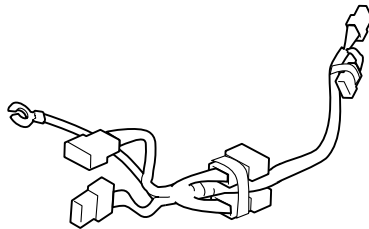
Transmitter



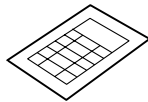
Keyless unit



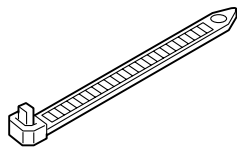
Keyless entry harness



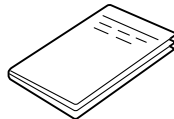
Fuse label



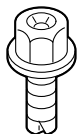
3 Wire ties



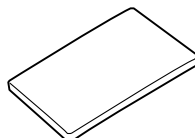
Owner's Manual



Ground bolt



Cushion tape (not used)

**TOOLS AND SUPPLIES REQUIRED**

Flat-tip screwdriver

Ratchet

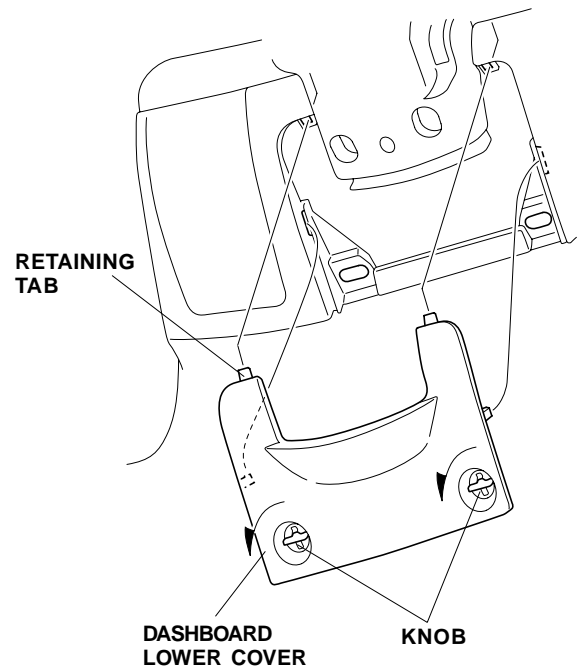
10 mm Socket

Diagonal cutters

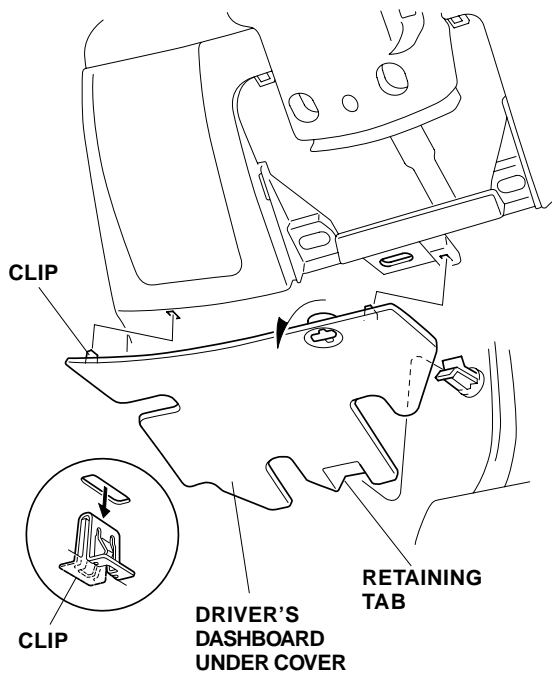
INSTALLATION

Customer Information: The information in this installation instruction is intended for use only by skilled technicians who have the proper tools, equipment, and training to correctly and safely add equipment to your car. These procedures should not be attempted by "do-it-yourselfers."

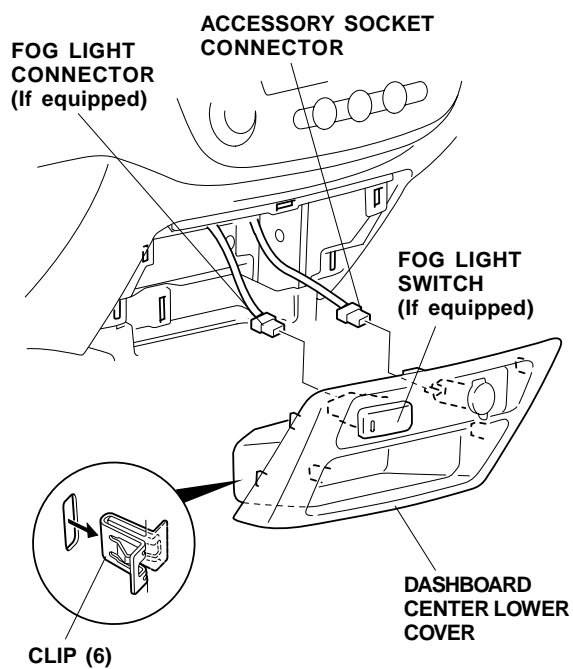
1. Write down the frequencies for the radio station preset buttons.
2. Disconnect the negative cable from the battery.
3. Remove the dashboard lower cover on the driver's side of the vehicle. Turn the two knobs counterclockwise, and release the four retaining tabs.



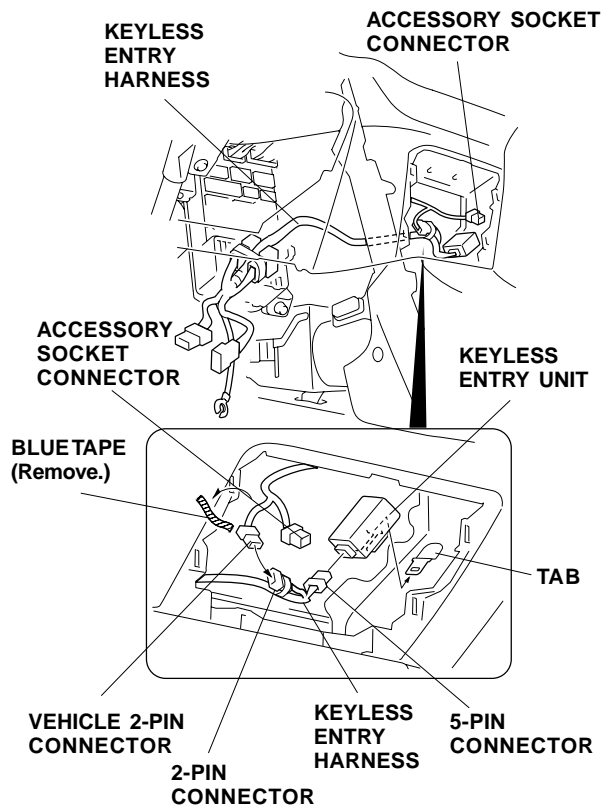
- Remove the driver's dashboard under cover. Turn the knob counterclockwise, and release the two clips and one retaining tab.



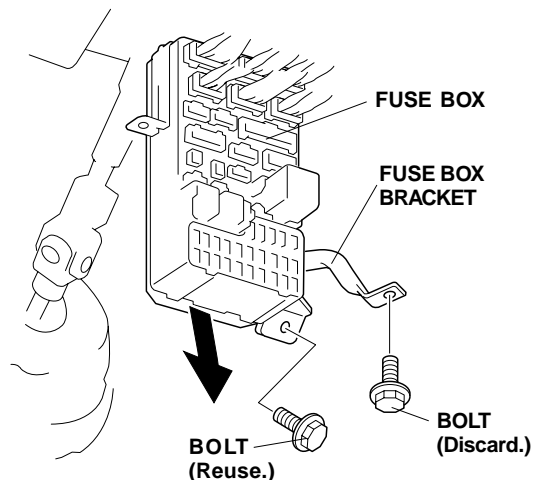
- Remove the dashboard center lower cover:
 - With the parking brake applied, place the gear shift lever in the Neutral position.
 - Gently pry out on the lower cover to release the six retaining clips.
 - Unplug the accessory socket connector, and remove the lower cover. If equipped, unplug the fog light harness.



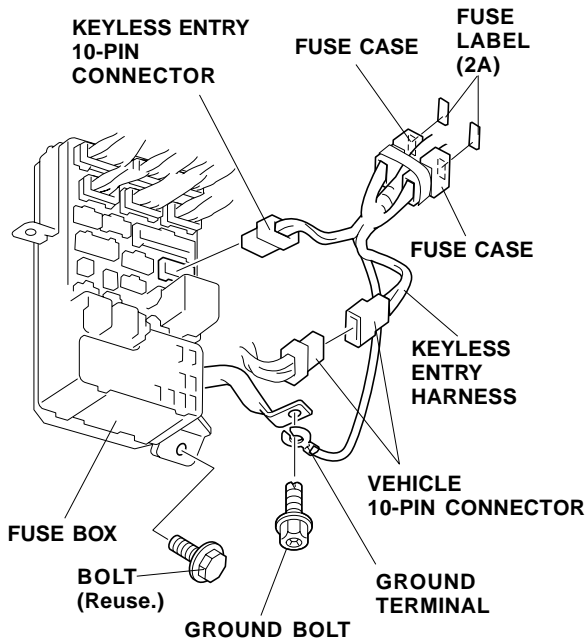
- Route the keyless entry harness behind the dashboard on the driver's side of the vehicle.



- Plug the 5-pin connector of the keyless entry harness into the keyless entry unit, then attach the keyless entry unit to the tab on the center console frame.
- Locate the 2-pin connector blue-taped to the vehicle accessory socket harness, and remove the blue tape to free the connector. Plug the 2-pin connector into the keyless entry harness 2-pin connector.
- Remove the two bolts that fasten the fuse box, and remove the fuse box bracket, and slide the fuse box down.

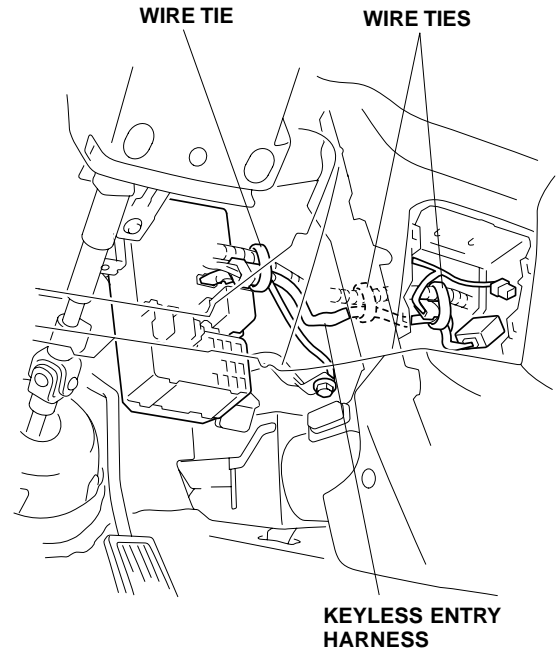


- Unplug the 10-pin connector from the fuse box, and plug the the 10-pin connector from the keyless entry harness into the fuse box. Plug the vehicle 10-pin connector into the remaining 10-pin connector on the keyless entry harness.



- Attach the two fuse labels (2A) to the fuse cases on the keyless entry harness.
- Attach the ground terminal of the keyless entry harness to the fuse box bracket with the ground bolt provided.
- Reinstall the fuse box. Be careful not to pinch any harnesses.

- Secure the keyless entry harness to the vehicle harness with three wire ties in the areas shown.



- Check that all wire harnesses are routed properly and all connectors are plugged in.
- Reinstall all removed parts.
- Reconnect the negative cable to the battery, and reset the radio station presets.
- Reset the clock.
- Check the operation of the security system as described in the Owner's Manual supplied.