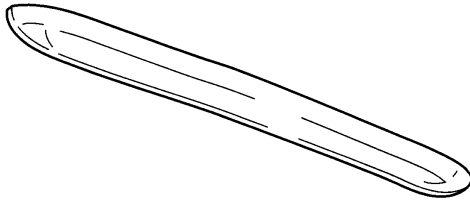


PARTS LIST

Gold trunk molding

**TOOLS REQUIRED**

Long nose pliers

8 mm Socket

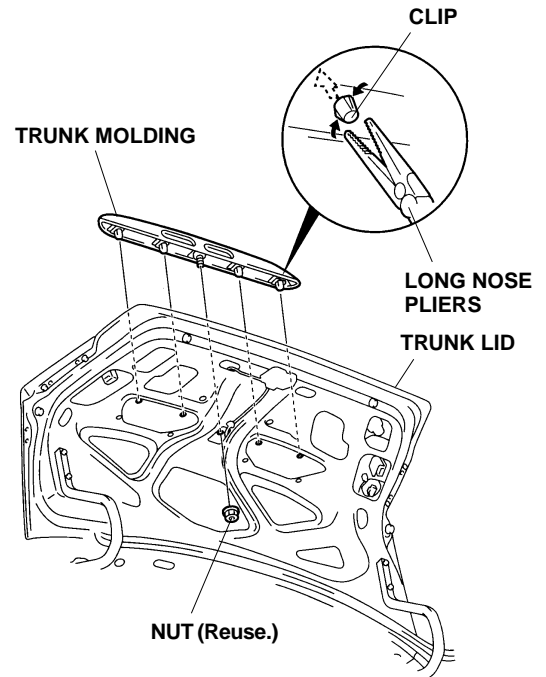
Ratchet

Extension

INSTALLATION

NOTE: Be careful not to damage the body finish when installing the gold trunk molding.

1. Open the trunk lid, and remove center nut from the existing trunk molding.



2. Using long nose pliers, remove the existing trunk molding by removing the four clips.
3. Position the gold trunk molding on the trunk lid, and install the four clips. Reinstall the center nut you removed in step 1.

