



INSTALLATION INSTRUCTIONS

Accessory

CARGO NET
P/N 08L96-S5D-100

Application

2001-2005 CIVIC
2- AND 4-DOOR

Publications No.

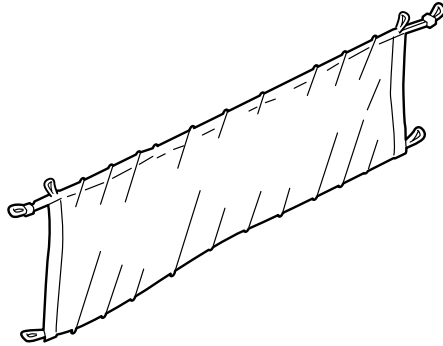
All 27856

Issue Date

AUG 2004

PARTS LIST

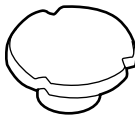
Cargo net



2 Hooks A



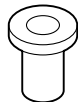
4 Hooks B



6 Screws



6 Well nuts



6 Washers



TOOLS REQUIRED

Clip remover

Phillips screwdriver

Drill

8 mm Drill bit

Eye protection (face shield, safety goggles, etc.)

File

Utility knife

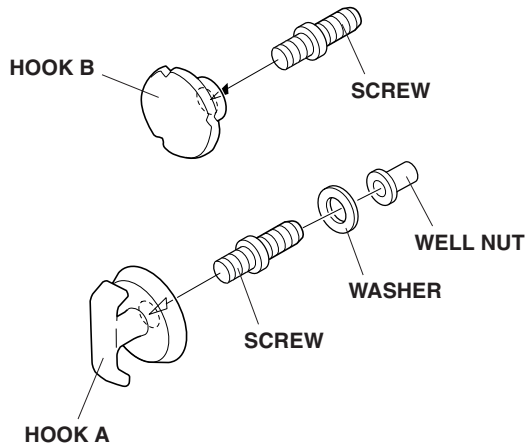
Touch-up paint

Tape measure

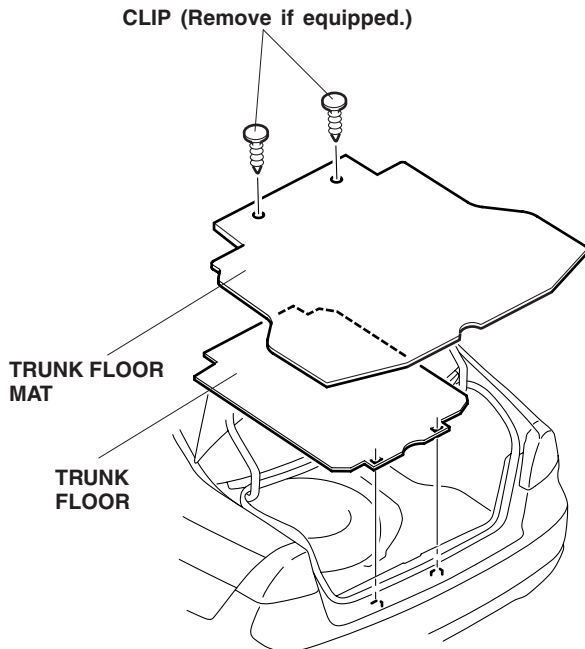
INSTALLATION

Customer Information: The information in this installation instruction is intended for use only by skilled technicians who have the proper tools, equipment, and training to correctly and safely add equipment to your vehicle. These procedures should not be attempted by "do-it-yourselfers."

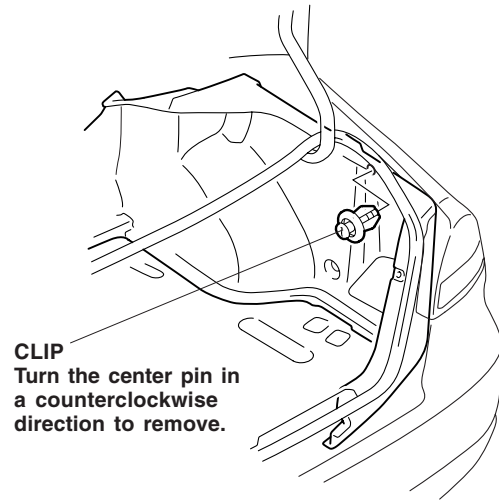
1. Temporarily install a screw, washer and well nut into each hook A, and install a screw into each hook B.



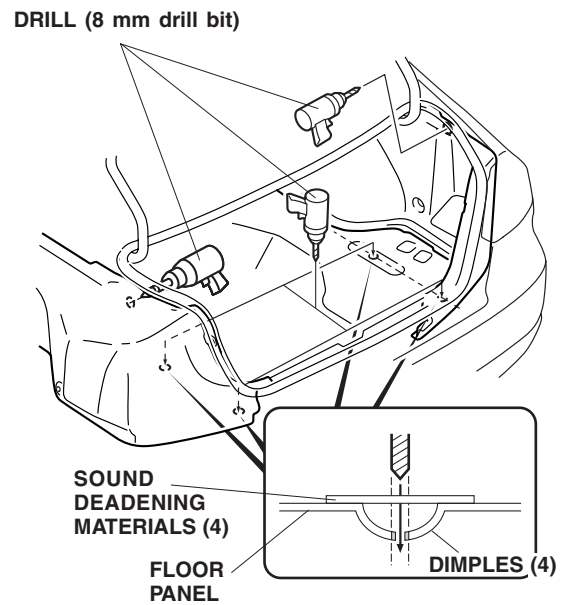
2. Open the trunk lid and remove the two clips fastening the trunk floor mat where installed. Remove the trunk floor mat and the trunk floor.



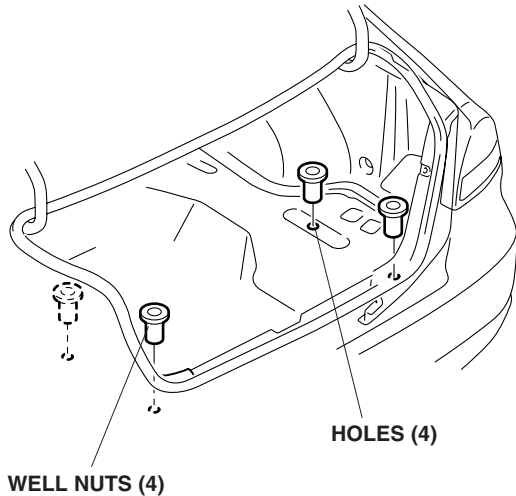
3. Remove the clip from the right trunk side panel.



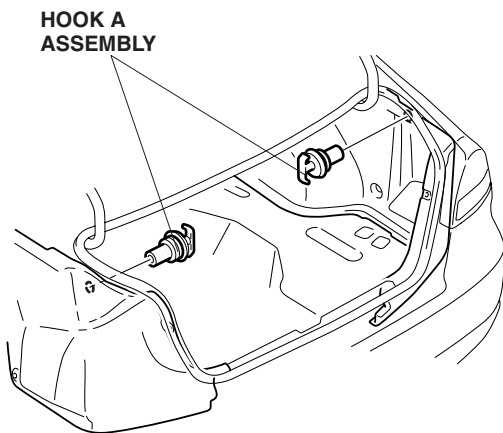
4. Repeat on the other side. Save the clips for your customer so they can be reinstalled if the cargo net is removed.
5. Locate the four dimples (two on each side) in the trunk floor. While wearing eye protection, enlarge the clip holes with an 8 mm drill bit in the right and left trunk side panels, and the hole through each of the four dents in the floor panel.



- Remove all burrs, and apply touch-up paint to the edges of the holes. If necessary, gently pull the trunk side lining down to apply the touch-up paint.
- Install the four well nuts into the holes on the floor panel you made in step 5.

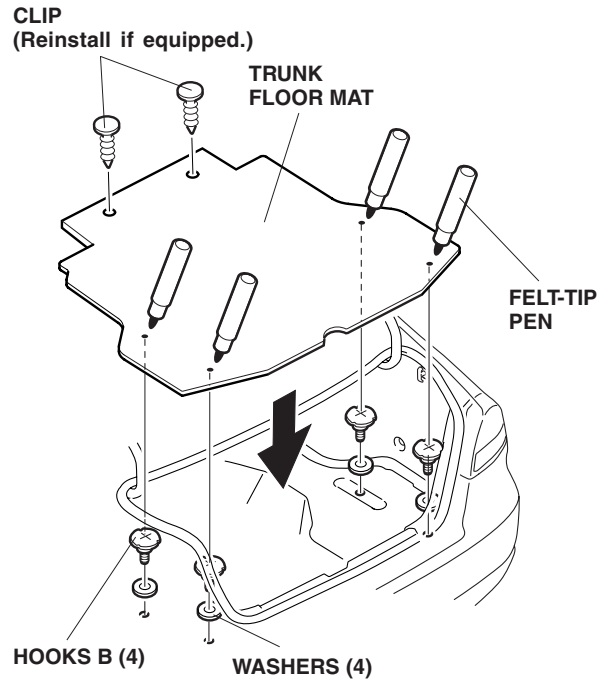


- Install the two hooks A into the holes in the right and left trunk side panels.

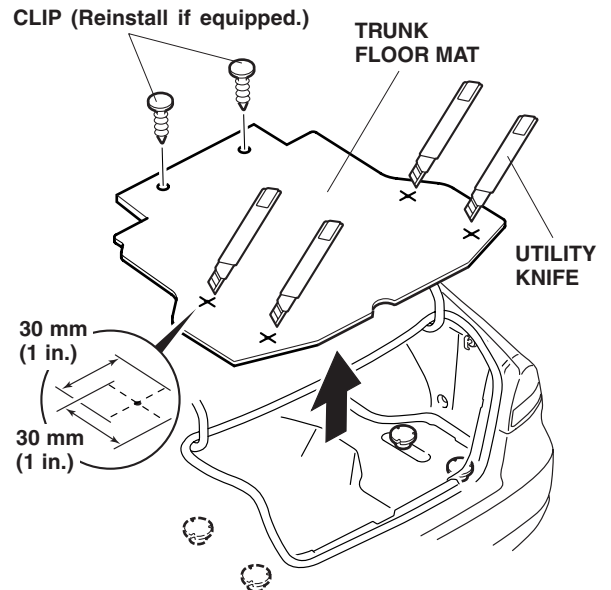


Check the back of the trunk floor mat. If the trunk floor mat has no insulator on the back, continue with step 9; otherwise, go to step 12.

- Attach the four hooks B and washers to the holes in the floor panel, and reinstall the trunk floor carpet mat. Also install the clips in the mat. Do not install the trunk floor at this time.

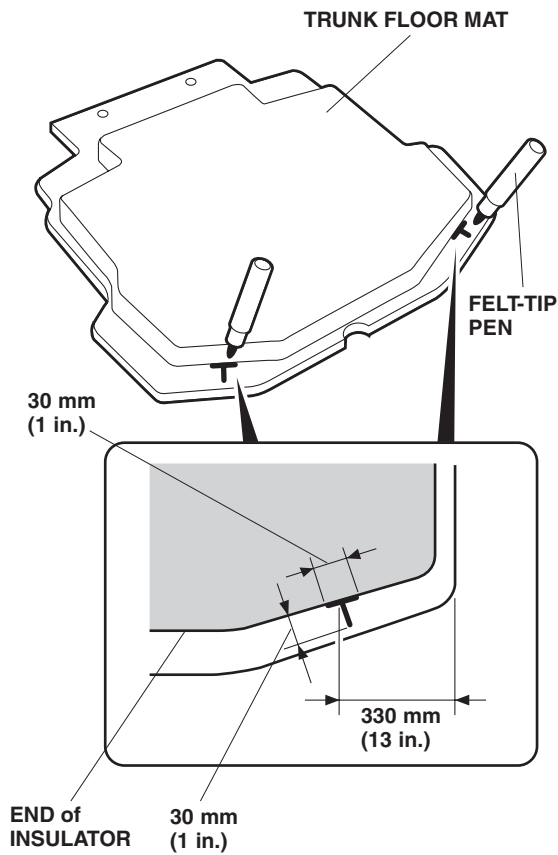


- Pressing along the top trunk floor mat, locate the center of each hook B, then mark the trunk floor mat with a felt-tip pen.
- Remove the trunk floor mat. Using a utility knife, make an “+” cut in the trunk floor mat at each marked location as shown.

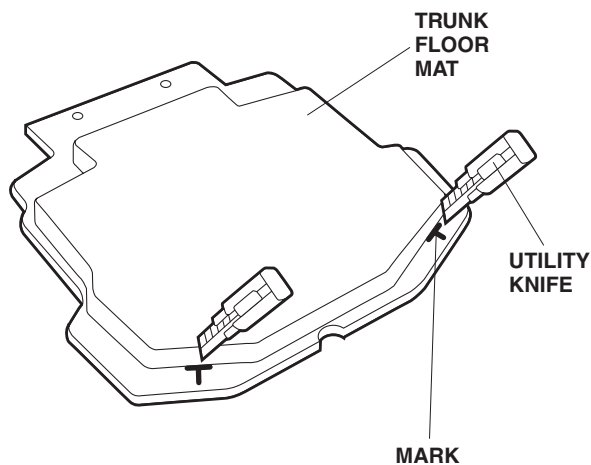


Check the back of the trunk floor mat. If the trunk floor mat has an insulator, continue with step 12; otherwise, go to step 17.

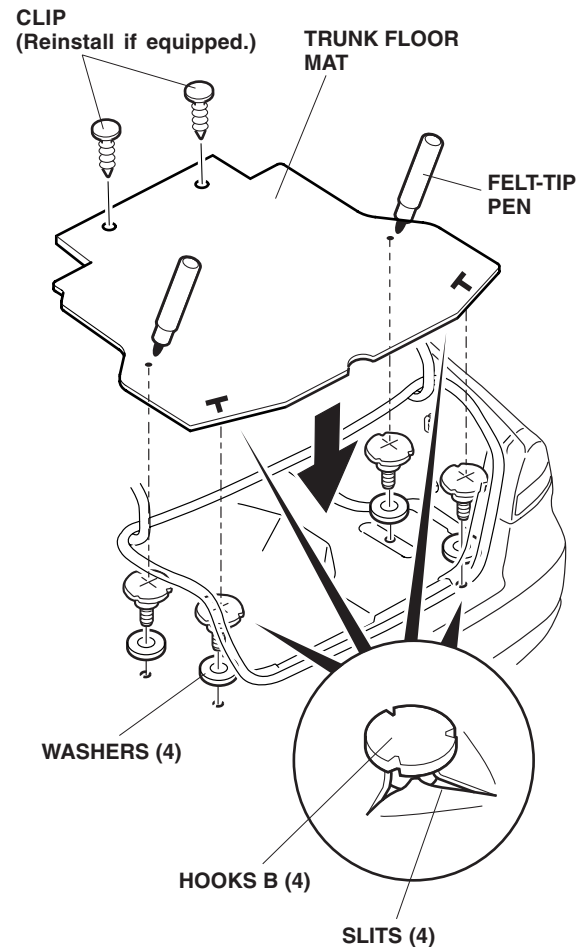
- Turn the trunk floor mat over, and use a tape measure and a felt-tip pen to measure and mark the trunk floor mat as shown.



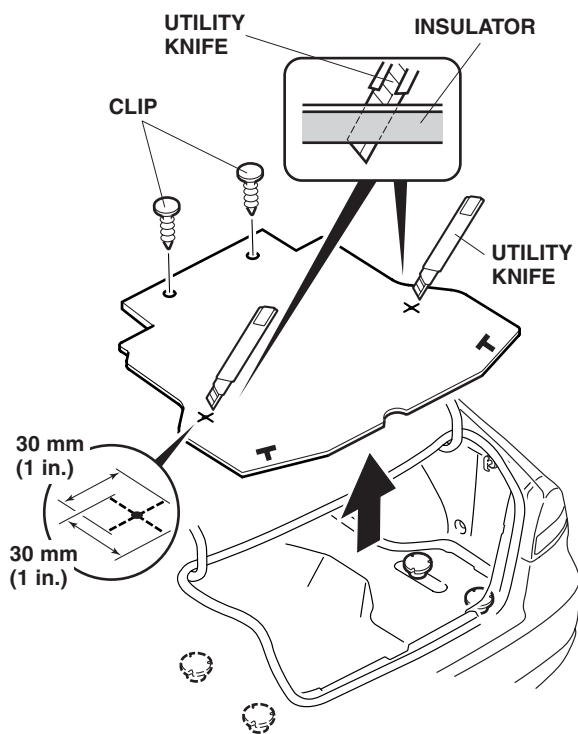
- Using a utility knife, make a "T" cut in the trunk floor mat at each of the two marks you just made.



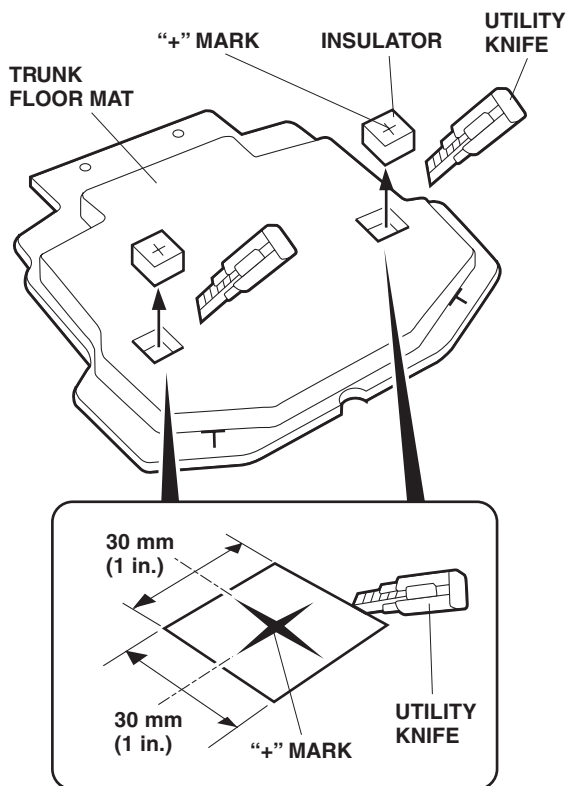
- Install the four hooks B and washers in the holes in the floor panel, then reinstall the trunk floor mat. Feel the centers of the two front hooks by touching the surface of the trunk floor mat and mark the mat with a felt-tip pen.



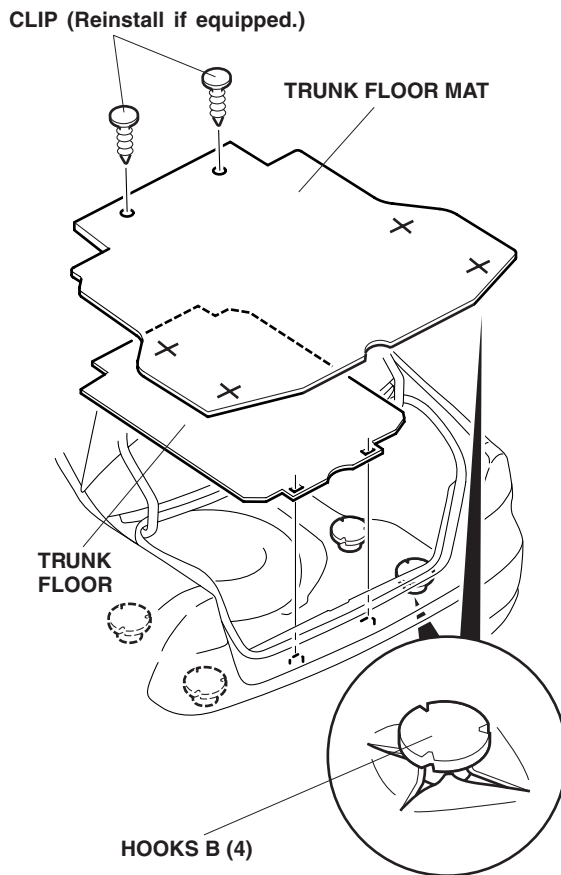
15. Remove the trunk floor mat and make a “+” cut in the trunk floor mat at each of the two marks you just made.



16. Using a tape measure and a felt-tip pen, measure and mark the insulator just behind the two “+” cuts made in step 15 as shown. Cut out the marked areas from the insulator with a utility knife.



17. Reinstall the trunk floor and trunk floor mat.



18. Attach the cargo net to the hooks A and hooks B.

