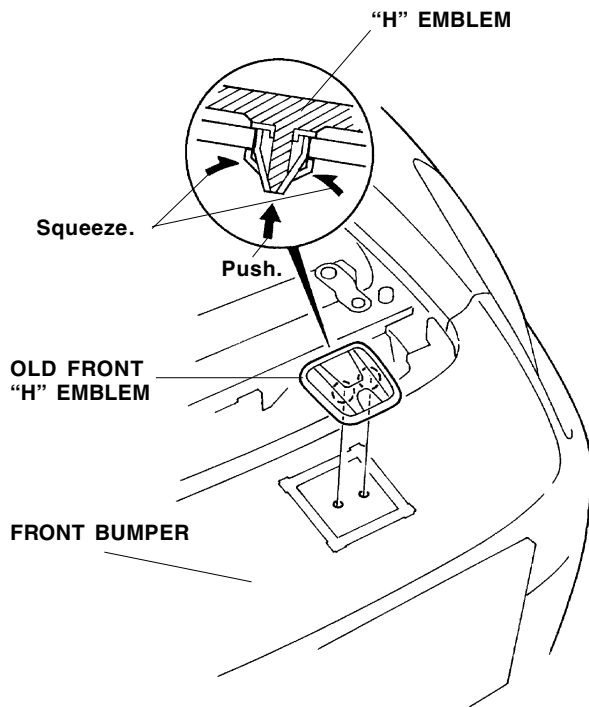
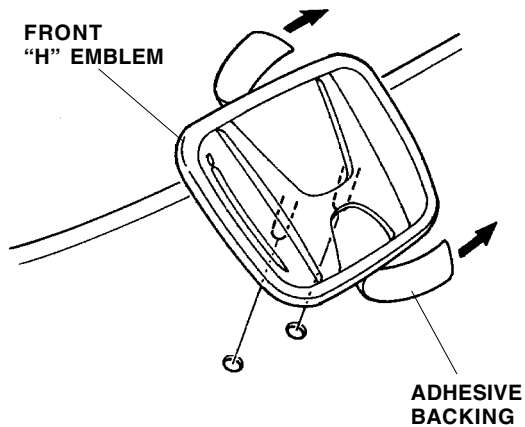


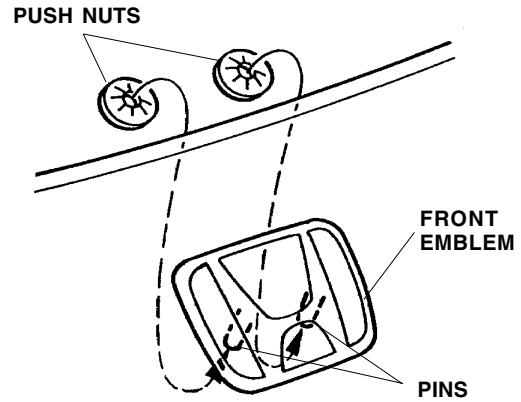
- Open the hood, and locate the two pins extending from the "H" emblem. Reach behind the front bumper, squeeze the retaining tabs on the pins, and remove the emblem.



- Using isopropyl alcohol on a shop towel, clean the area where the emblem was removed.
- Remove the adhesive backing from the new "H" emblem, and attach it to the front bumper by aligning the locating pins with the holes in the front bumper. Press the emblem firmly against the front bumper with the palm of your hand.

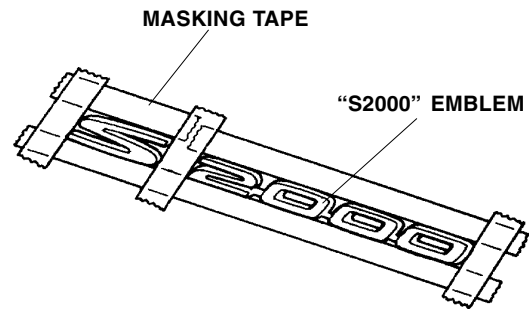


- Attach the emblem with the push nuts.

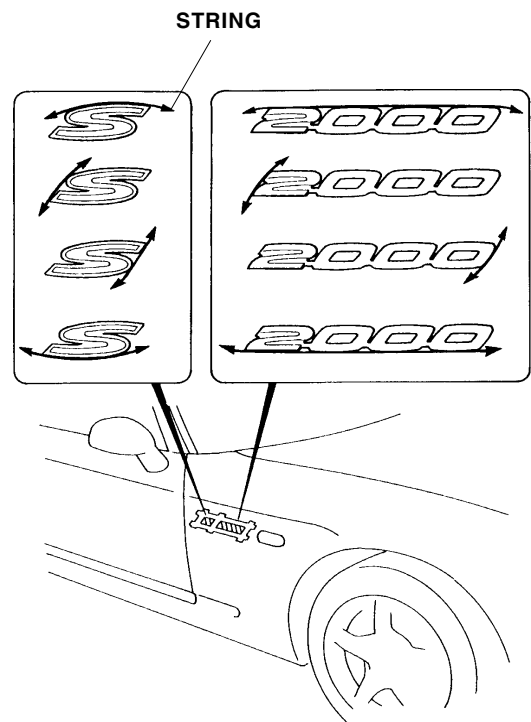


Installing the "S2000" Emblem

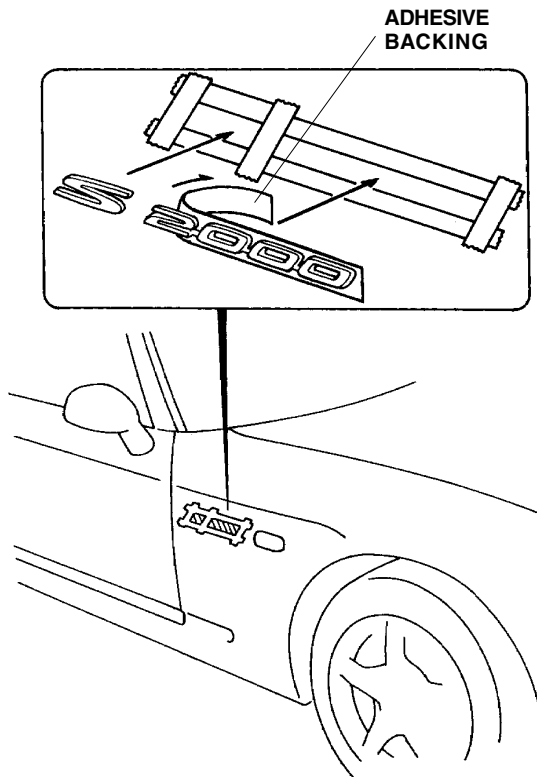
- To prevent damage to the body finish, apply masking tape around the existing "S2000" emblems.



- Using a piece of string, remove the emblems.



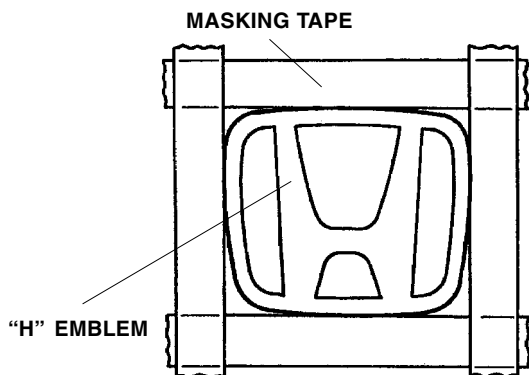
9. Using isopropyl alcohol on a shop towel, clean the area where the emblems were removed.
10. Remove the adhesive backings from the new "S2000" emblems, and install them on the vehicle so they line up with the masking tape.



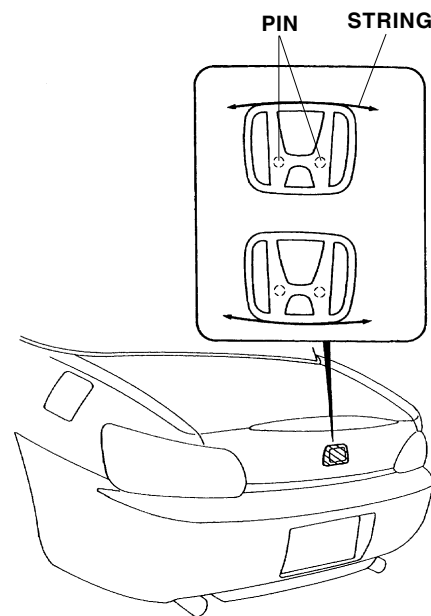
11. Repeat steps 7 through 10 to install the other "S2000" emblems.
12. Remove the masking tape.

Installing the Rear "H" Emblem

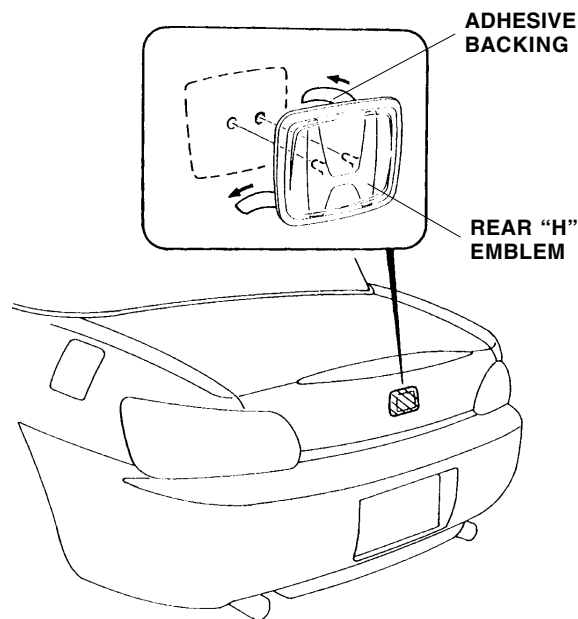
13. To prevent damage to the trunk lid, apply masking tape along the four edges of the existing rear "H" emblem.



14. Using a piece of string, remove the emblem from the trunk lid. Move the string in the directions shown to cut the emblem free. Take care not to damage the body finish.



15. Remove the emblem pin inserts from the trunk lid. Using isopropyl alcohol on a shop towel, clean the area where the emblem was removed.
16. Remove the adhesive backing from the new "H" emblem, and attach it to the trunk lid by aligning the locating pins with the holes in the trunk. Press the emblem firmly against the trunk lid with the palm of your hand.



17. Remove the masking tape.