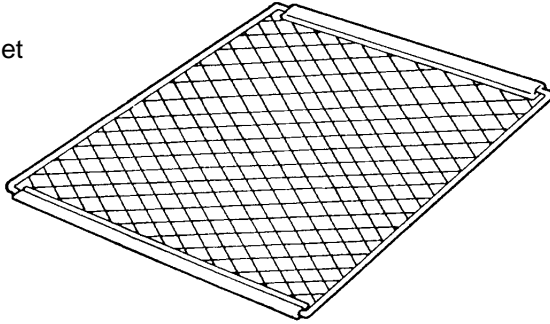


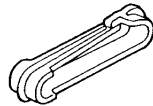
Keep this information in the glove box for future reference.

PARTS LIST

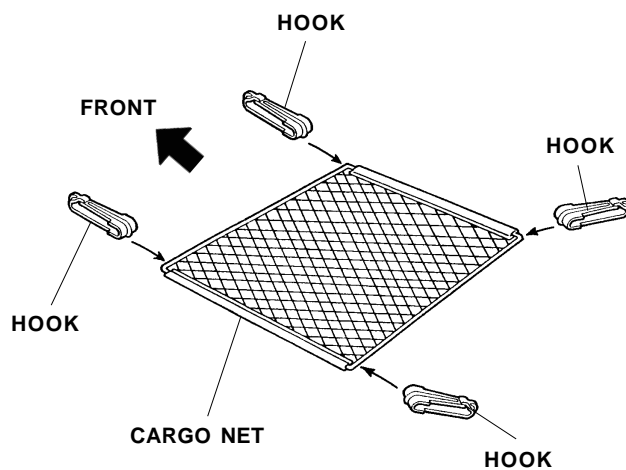
Cargo net



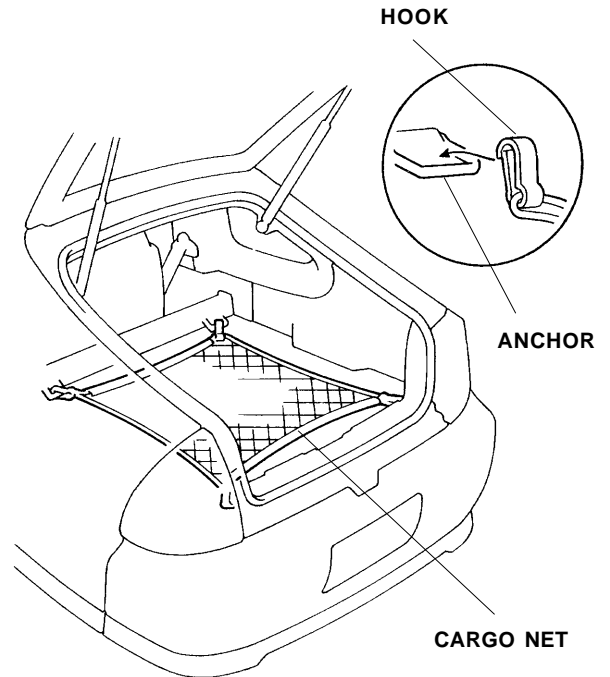
4 Hooks

**INSTALLATION**

1. Attach the four hooks onto the cargo net.



2. Attach the hooks you just installed to the anchors in the trunk.

**NOTE:**

- Do not allow the weight of cargo to exceed 22 lb (10 kg).
- Do not store large or fragile objects in the net.
- Do not store objects with sharp edges or corners, as they may damage the cargo net or the vehicle. Wrap such objects in paper or a blanket so they will not contact the net directly.