

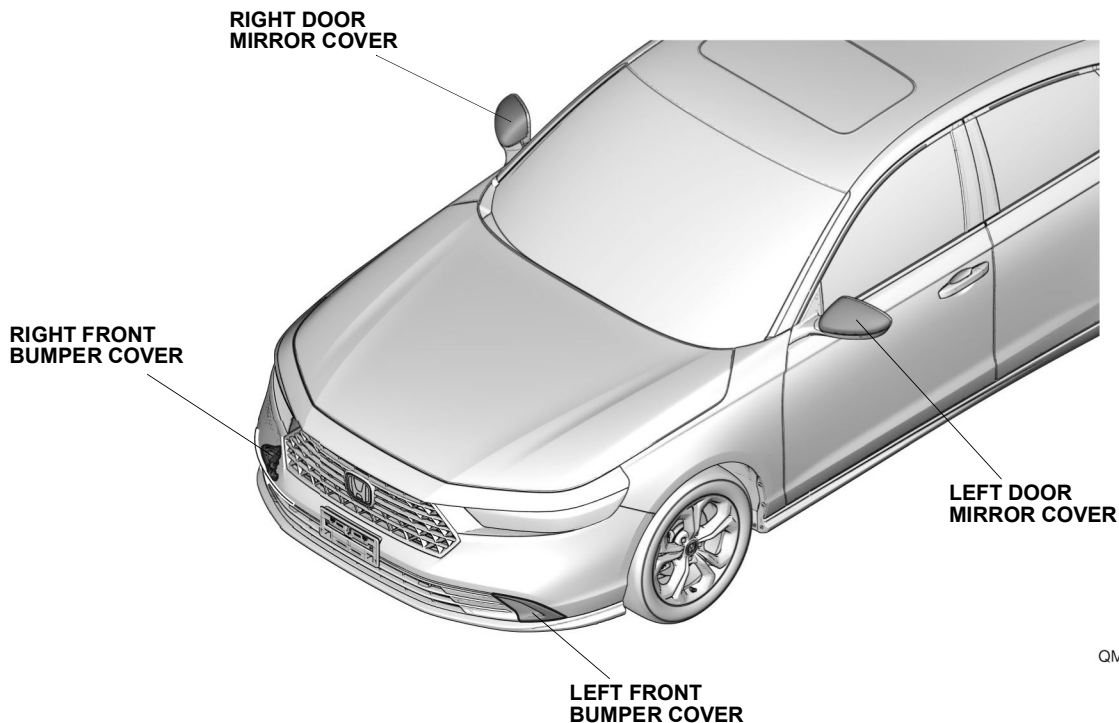
Germain Honda of College Hills



INSTALLATION INSTRUCTIONS

Accessory COVER SET	Application 2023 ACCORD MODEL SERIES	Publications No. VERSION 1
		Issue Date DEC 2022

GENERAL VIEW



QM32201AG

FOR YOUR SAFETY (Read carefully.)

Warning Symbols

Safety: Your safety, and the safety of others, is important. To help you make informed decisions about service procedures, we have provided safety messages where appropriate. Of course, it is not practical or possible to warn you about all the hazards associated with servicing a vehicle - you must use your own good judgment.

You will find important safety messages preceded by one of the following symbols:

*All symbols are not used in all installation instructions.

⚠ DANGER

You will be killed or seriously hurt if you do not follow the instructions.

⚠ WARNING

You can be killed or seriously hurt if you do not follow the instructions.

⚠ CAUTION

You can be hurt if you do not follow the instructions.

NOTICE

Gives advice to prevent damage to the product, vehicle, the environment or other property.

NOTE

Gives helpful information or instructions to be followed when installing this product.



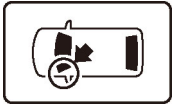
Indicates a prohibited action.

Germain Honda of College Hills

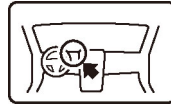
Procedure and Location Icons

These icons indicate the work location and the worker's point of view.

*All icons are not used in all installation instructions.



The location on the vehicle.



The location in the vehicle.
(Instrument panel.)



Wear eye protection.



Wear heavy gloves.



Use an assistant.



Place the part on a blanket.



Work perpendicular.



Remove any burrs.



Use touch-up paint and allow to dry.



Tighten to the specified torque.



Apply firm pressure while rolling, especially at the ends, to set the adhesive.



Press firmly.

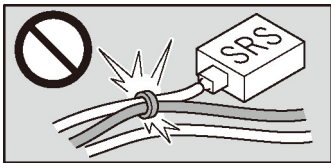


Clean with isopropyl alcohol.

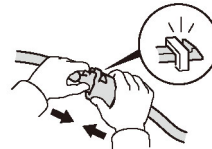


Return the original part to the customer.
(Do not reuse.)

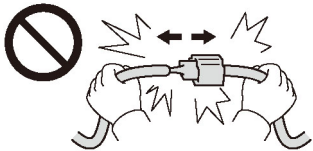
Wire Harness Routing Precaution



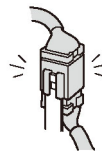
Do not secure the accessory harness to the SRS harness.
(except for instruction cases.)



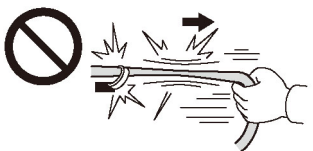
Push the connectors and terminals together until they lock.



Do not pull the harness to unplug the connectors.



Install removed connectors in their original location.



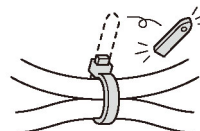
Do not pull the harness.



Secure the accessory harness as shown.



Do not pinch the harness.



Cut off the excess wire tie.

Germain Honda of College Hills

Safety: General

- Observe all safety notes and precautions described in the service information, in addition to those described in this Installation Instruction. Be extremely careful for your safety and safety of others.
- Be careful not to damage the vehicle or the parts.
- Be extremely careful when handling retaining tabs and clips.
- Note the locations of the parts before removing them so they can be properly installed in their original positions.
- The illustrations may differ slightly from the actual accessory.

Safety: Electric Parts

Always disconnect the negative cable from the battery before beginning work.

Safety: Accessory

Always use the parts and tools specified in the installation instructions.

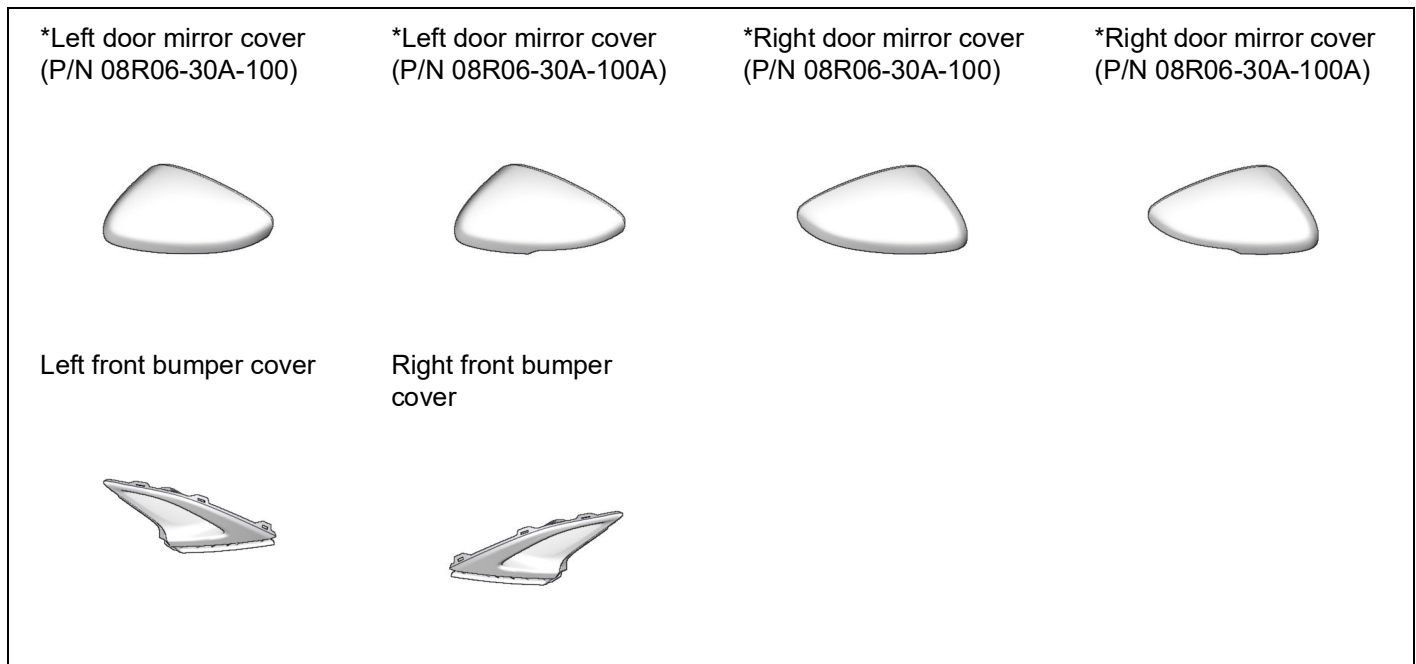
PARTS LIST

Cover Set Kit

(P/N 08R06-30A-100)

(P/N 08R06-30A-100A)

(*: The part differs depending on the kit.)



REQUIRED TOOLS AND SUPPLIES

- Flat-tip screwdriver
- Masking tape
- 10 mm Open end wrench
- Blanket
- Phillips screwdriver
- Shop towel

The following tools are available through the Honda Tool and Equipment Program:

- Trim Tool Set (T/N SOJATP2014)
- Plastic Trim Tool (T/N SILTRIMTL10)

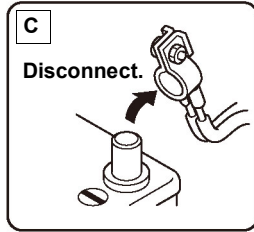
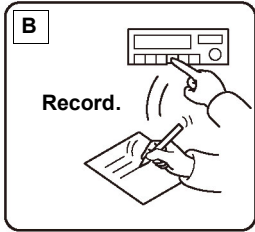
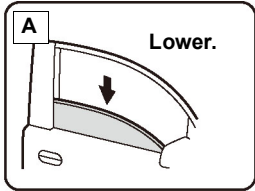
Germain Honda of College Hills

INSTALLATION

1. Disconnect the negative cable from the battery.

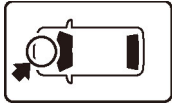
NOTE

With the driver's door open, turn the vehicle to the OFF (Lock) mode, then wait at least 3 minutes before disconnecting the 12 volt negative battery cable.



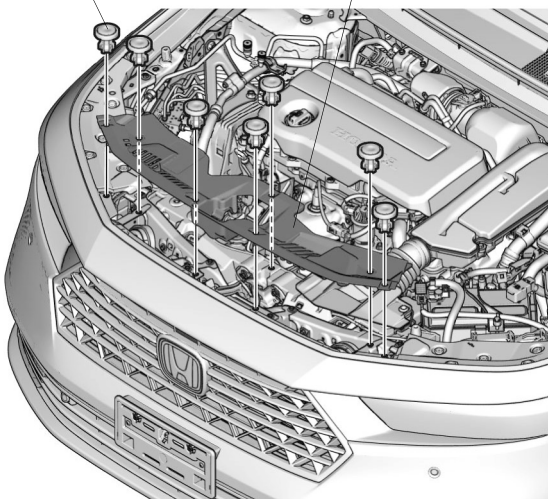
QCD0502BM

2. Remove the front grille cover.



7 CLIPS

FRONT GRILLE COVER

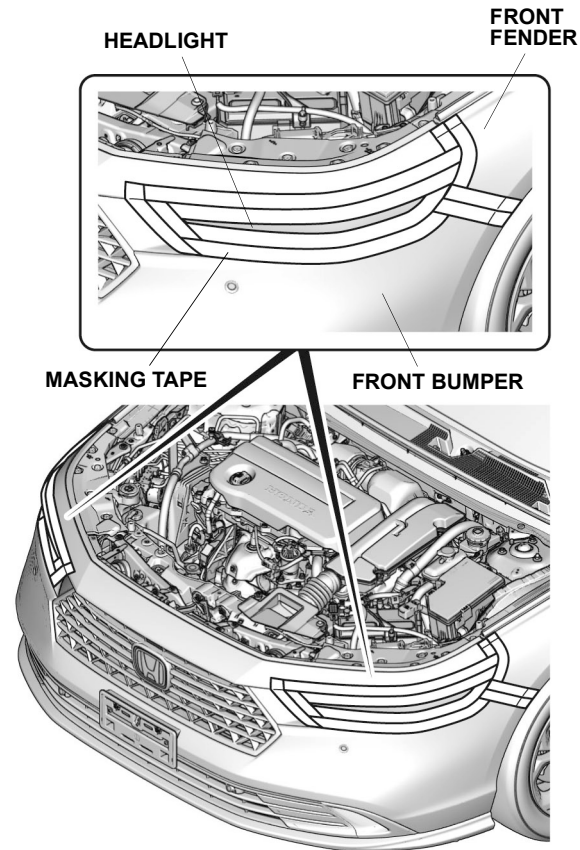


QM30802AG

3. Attach masking tape to protect the vehicle.

NOTE

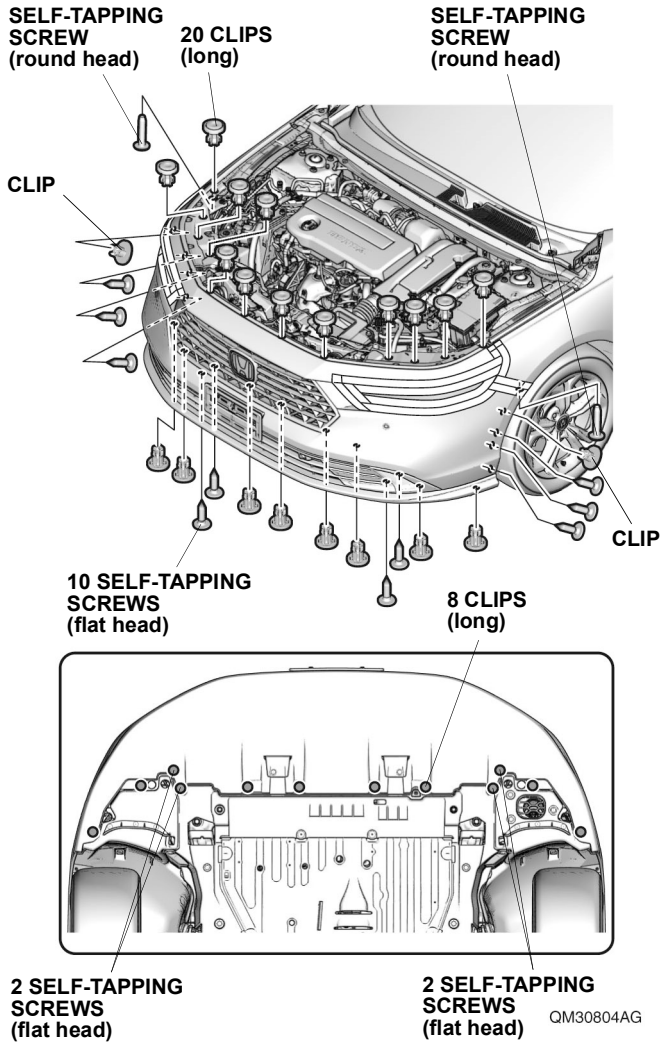
Do not remove the masking tape until after the parts are installed.



QM30803AG

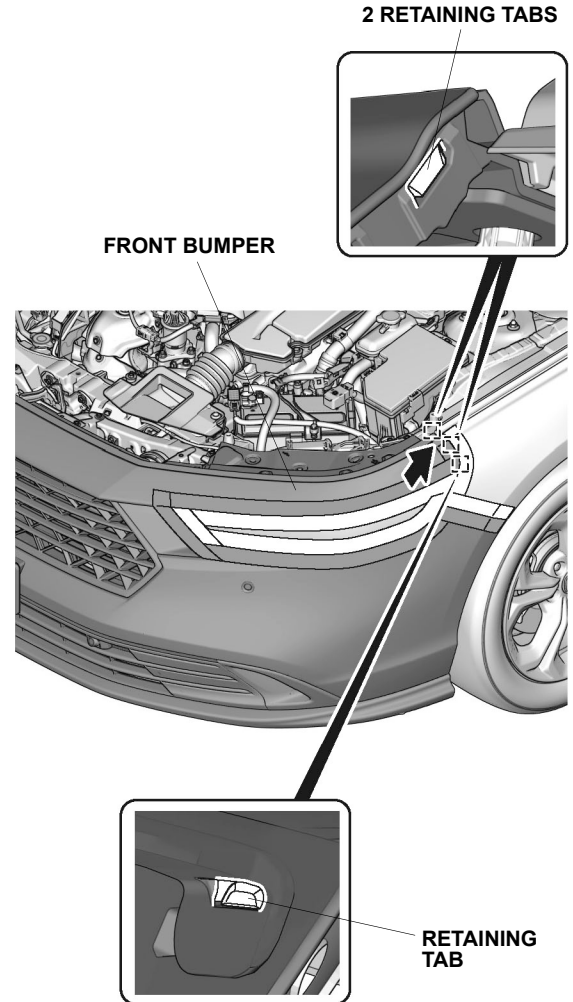
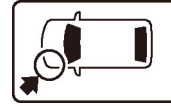
Germain Honda of College Hills

4. Remove the clips and self-tapping screws.



5. Release the retaining tabs.

NOTE
Make sure to release the retaining tabs in the correct orientation.



QM92201AA

Germain Honda of College Hills

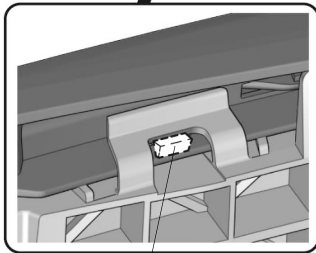
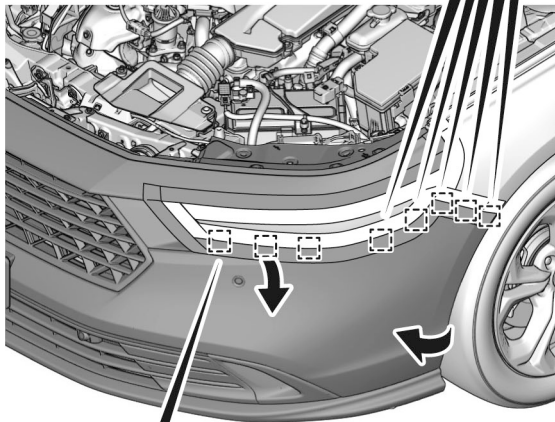
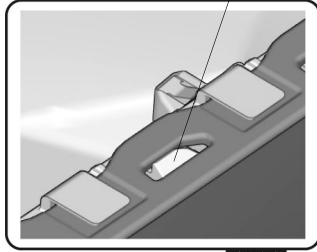
6. Release the retaining tabs.

NOTE

- Release the retaining tabs starting from outside working in.
- Make sure to release the retaining tabs in the correct orientation.



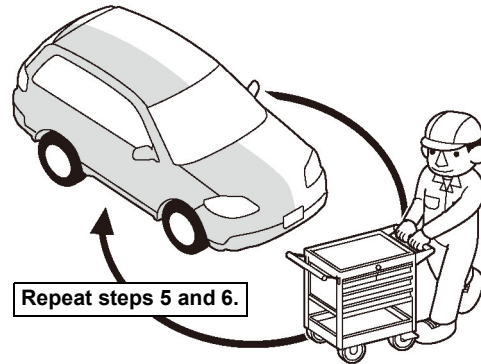
5 RETAINING TABS



3 RETAINING TABS

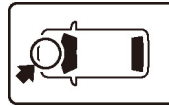
QM30805AG

7. Repeat the same procedures on the other side.

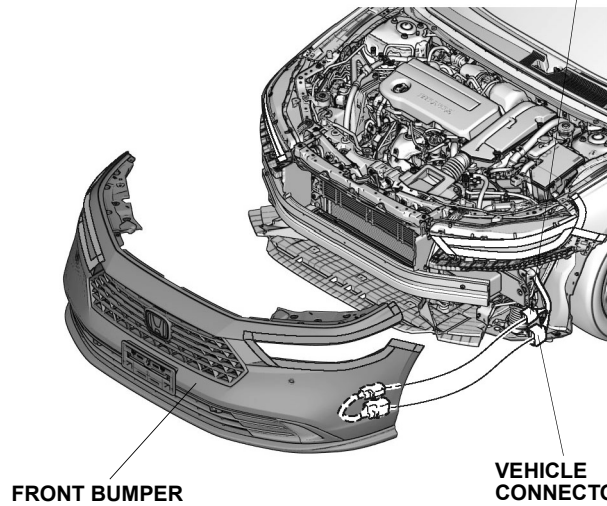


Q9D1014AM

8. Remove the front bumper.



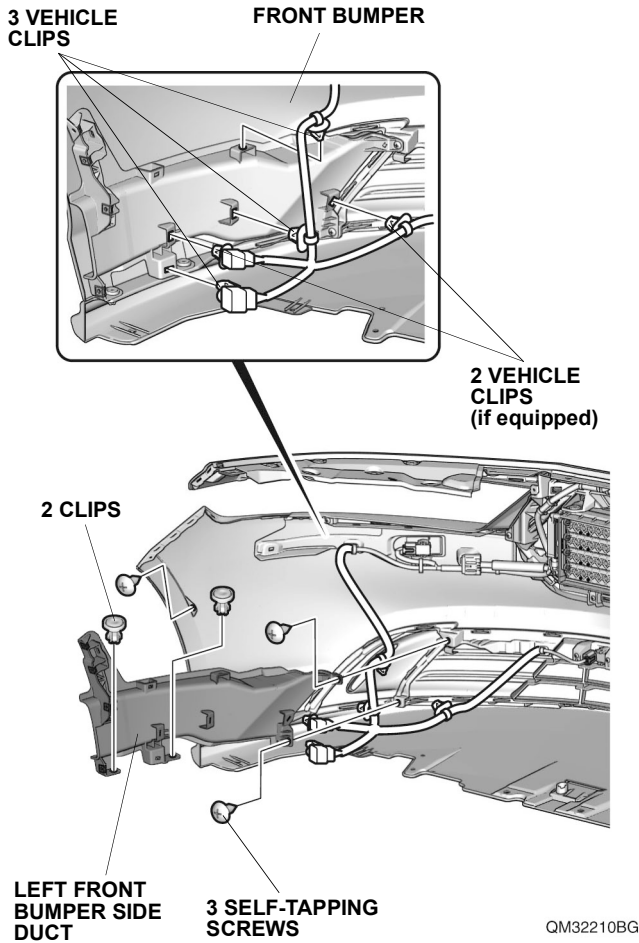
VEHICLE CONNECTOR
(if equipped)



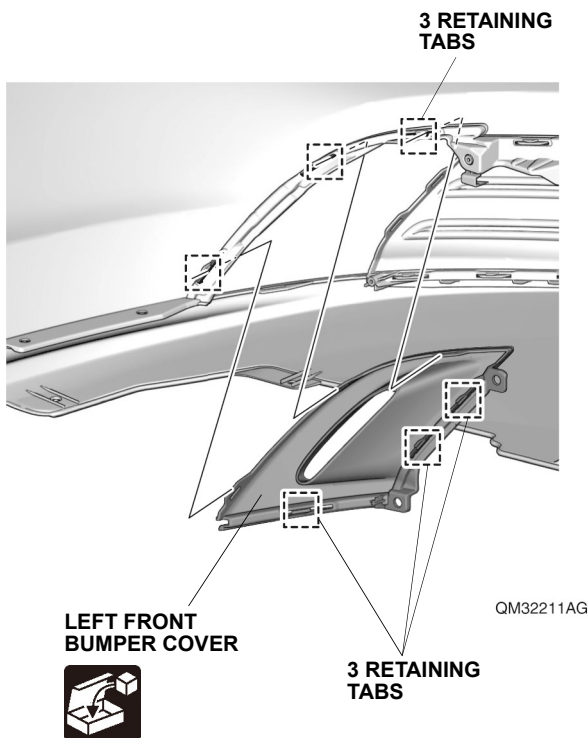
QM30806BG

Germain Honda of College Hills

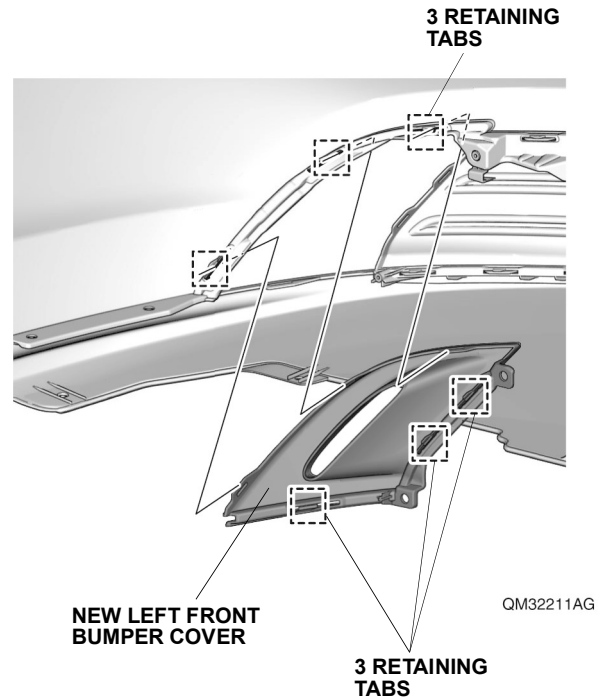
9. Remove the left front bumper side duct.



10. Remove the left front bumper cover.

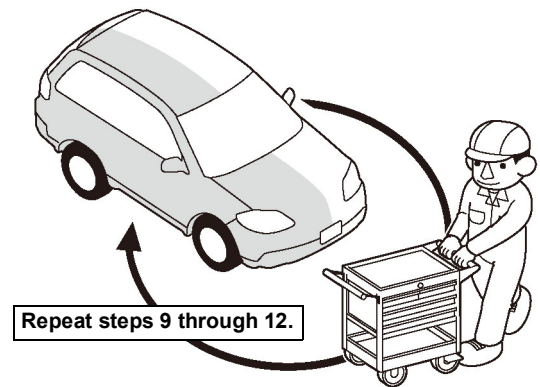


11. Install the new left front bumper cover.



12. Install the left front bumper side duct.

13. Repeat the same procedures on the other side.



Q9D1012AE

Germain Honda of College Hills

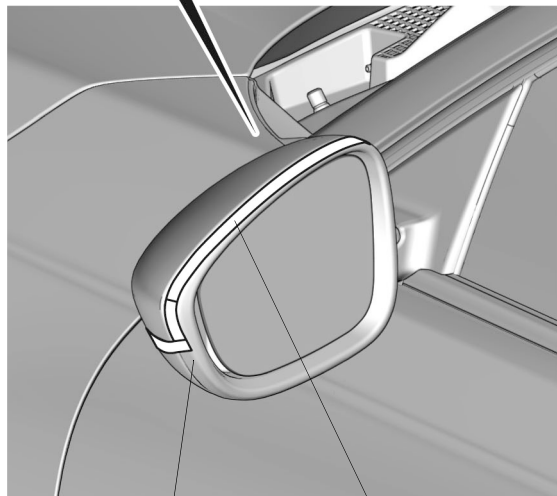
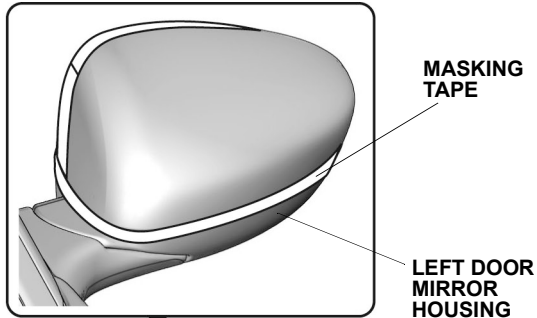
14. Attach masking tape to protect the vehicle.

NOTE

Do not remove the masking tape until after the parts are installed.



OPPOSITE SIDE VIEW

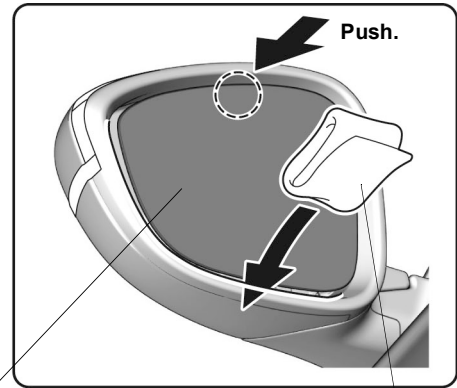


LEFT VISOR

MASKING TAPE

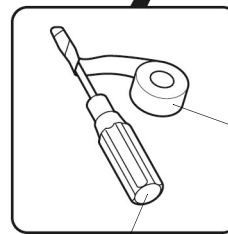
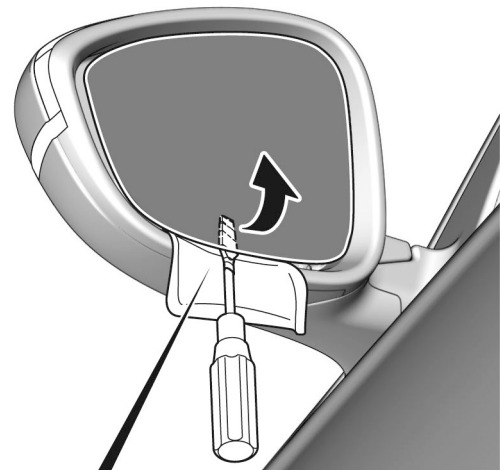
QM32202AG

15. Release the left mirror holder.



LEFT MIRROR HOLDER

SHOP TOWEL



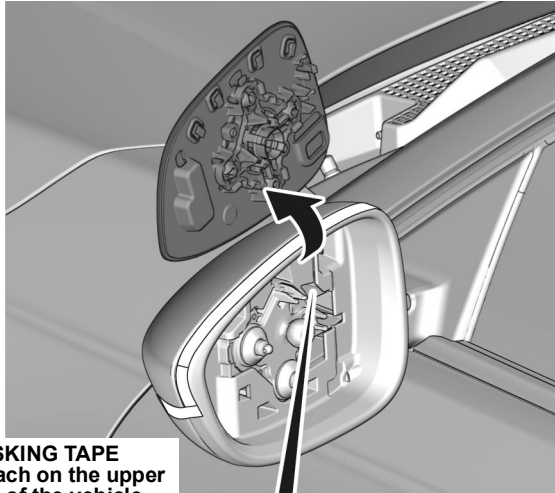
MASKING TAPE

FLAT-TIP SCREWDRIVER

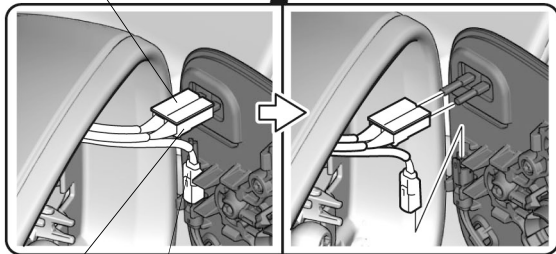
QM32203AG

Germain Honda of College Hills

16. Attach masking tape to prevent incorrect vehicle connector (with heated door mirrors).



MASKING TAPE
(Attach on the upper side of the vehicle connector (large).)



VEHICLE CONNECTOR (large)

VEHICLE CONNECTOR (small)

WITH HEATED DOOR MIRRORS

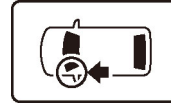
QM32204AG

17. Remove the left mirror holder.

18. Release the retaining tabs.

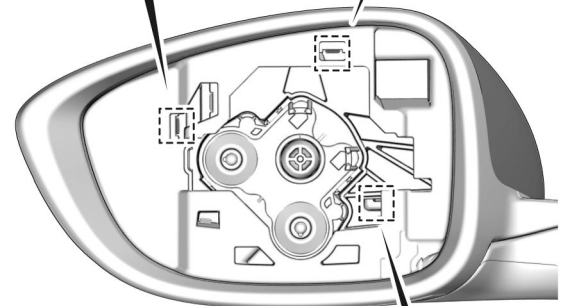
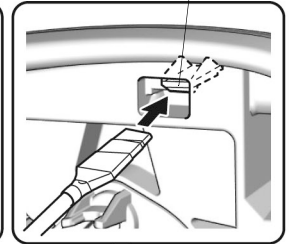
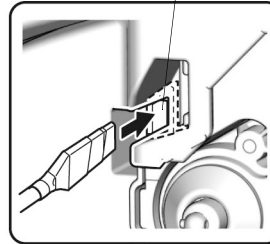
NOTE

Be careful not to damage the retaining tabs.

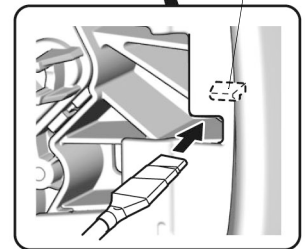


RETAINING TAB

RETAINING TAB



RETAINING TAB



QM32205AG

Germain Honda of College Hills

19. Remove the left mirror housing cover.

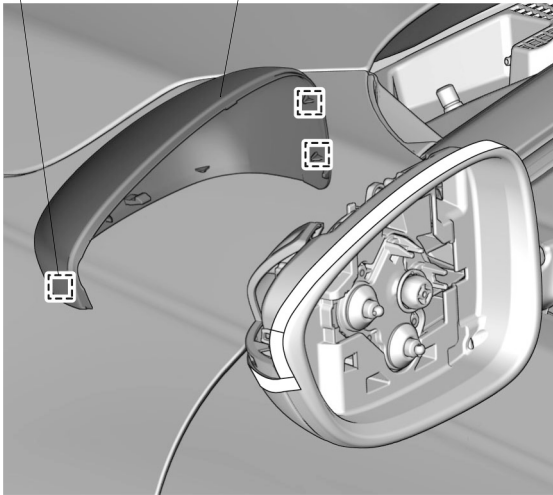
NOTE

Be careful not to damage the retaining tabs.



LEFT MIRROR HOUSING COVER

3 RETAINING TABS



QM32206AG

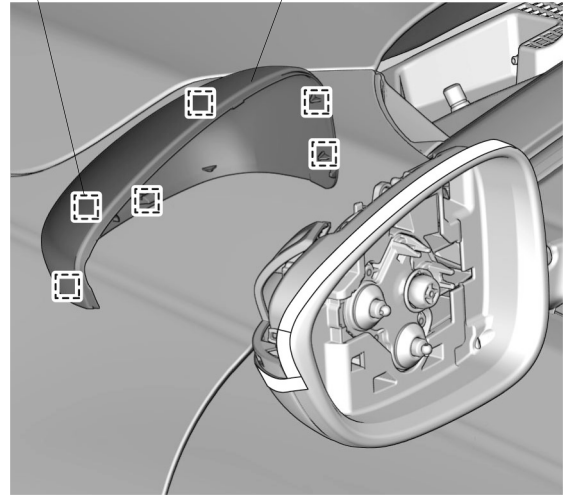
20. Install the left door mirror cover.

NOTE

- Make sure that there is no gap between the door mirror cover and the visor.
- Make sure to secure the retaining tabs properly.

6 RETAINING TABS

LEFT DOOR MIRROR COVER



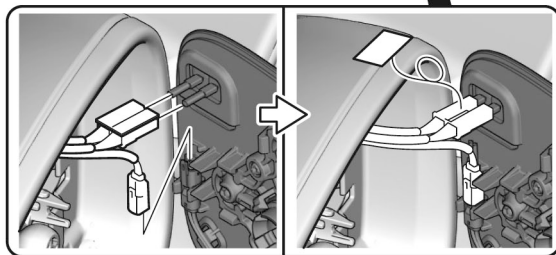
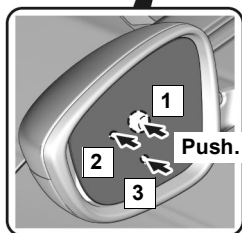
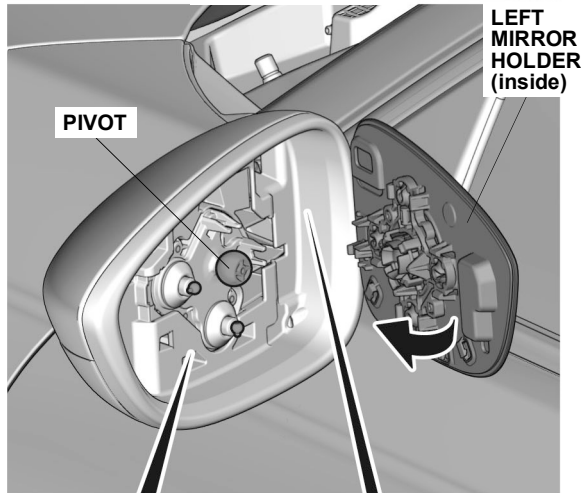
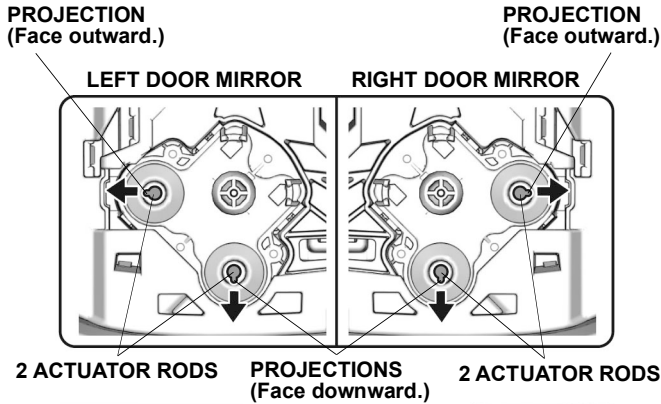
QM32207AG

Germain Honda of College Hills

21. Connect the vehicle connectors and remove the masking tape (with heated door mirrors).

NOTE

Make sure to install vehicle connectors in the correct orientation.



WITH HEATED DOOR MIRRORS

QM32208AG

22. Install the left mirror holder.

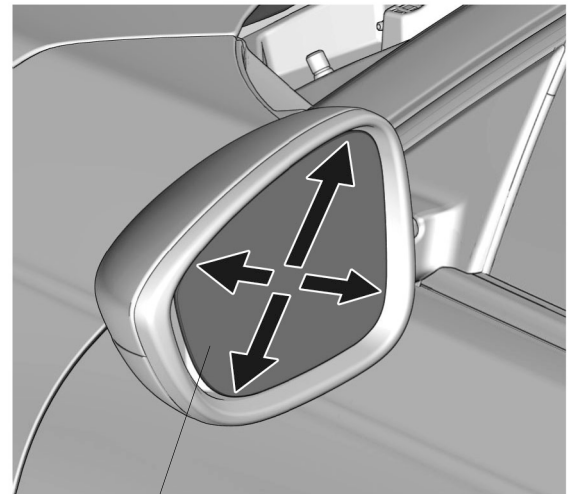
NOTE

- Apply the grease as described in the service information.
- Install in the order shown.

23. Check the left mirror holder.

NOTE

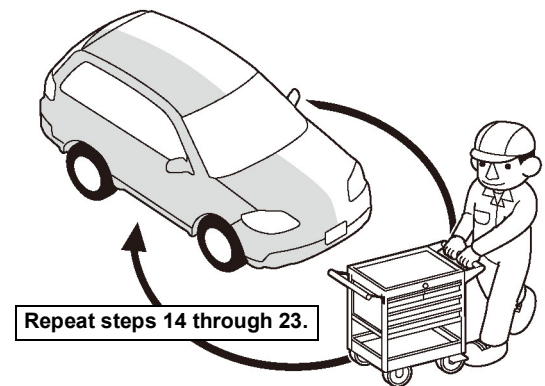
Move the mirror holder in all directions to check if it is installed securely.



LEFT MIRROR HOLDER (outside)

QM32209AG

24. Repeat the same procedures on the other side.



Q9D1012AE

Germain Honda of College Hills

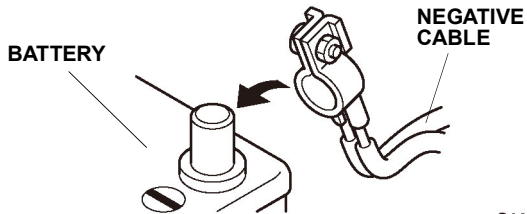
25. Check that all parts are installed and properly routed.

NOTE

- Check that all harnesses are not pulled or pinched.
- Make sure all clips and wire ties are securely installed.

26. Install all removed parts.

27. Connect the negative cable to the battery.



28. For vehicles equipped with Honda SENSING system, aim the millimeter-wave radar as described in the service information.
29. Make sure all accessories and systems operate properly.
30. If necessary, restore the systems back to normal operation as described in the service information.
31. Press and hold the audio unit power button for 2 seconds to restore the audio and navi (if equipped) system functions.