



## INSTALLATION INSTRUCTIONS

Accessory	Application	Publications No.
SPLASH GUARDS P/N 08P00-THR-100	2018 ODYSSEY	VERSION 1
		Issue Date MAY 2017

### PARTS LIST

Left front splash guard



Right front splash guard



Left rear splash guard



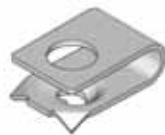
Right rear splash guard



14 Self-tapping screws



Spring nut



2 Grommets



Clip



### TOOLS AND SUPPLIES REQUIRED

Phillips screwdriver

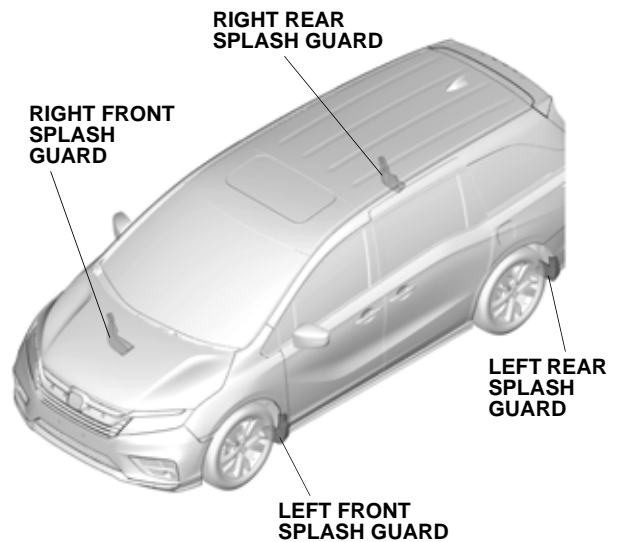
Stubby Phillips screwdriver

Pushpin

*The following tools are available through the Honda Tool and Equipment Program. On the iN, click on Service > Service Bay > Tool and Equipment Program, then enter the number under "Search." Or, call 888-424-6857.*

- Trim Tool Set (T/N SOJATP2014)
- Plastic Trim Tool (T/N SILTRIMTL10)

### Illustration of the Splash Guards Installed on the Vehicle



QF70610AH

## INSTALLATION

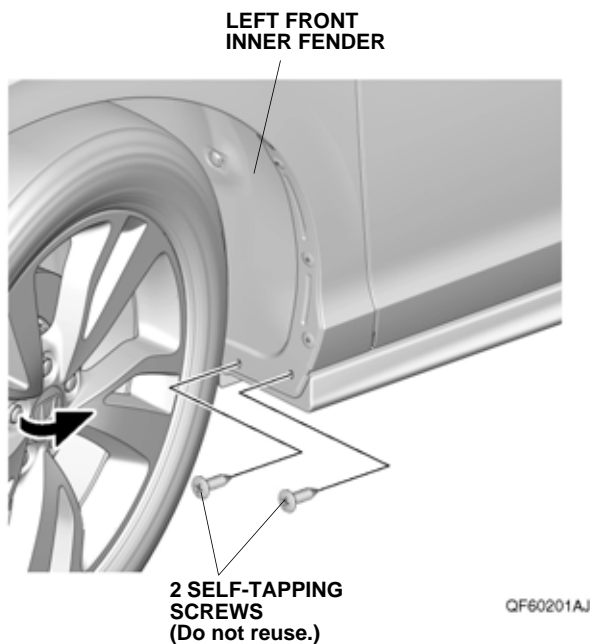
**Customer Information:** The information in this installation instruction is intended for use only by skilled technicians who have the proper tools, equipment, and training to correctly and safely add equipment to your vehicle. These procedures should not be attempted by “do-it-yourselfers.”

### NOTE:

- Be careful not to damage the paint finish.
- Clean the areas to be covered.

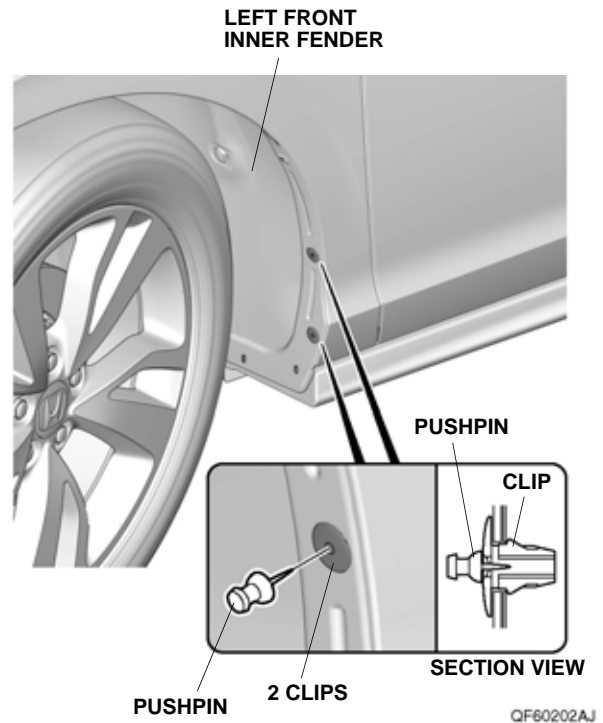
### Installing the Front Splash Guards

1. Turn the steering wheel fully counterclockwise.

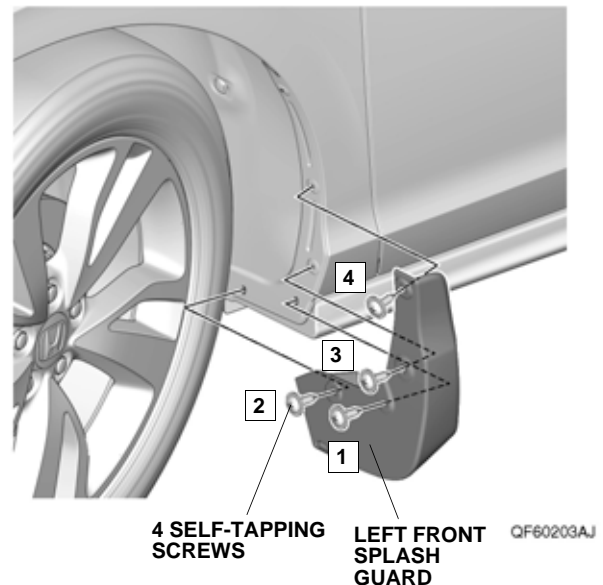


2. Remove the two self-tapping screws from the left front inner fender.

3. Using a pushpin, pierce the center of the two clips on the left front inner fender.



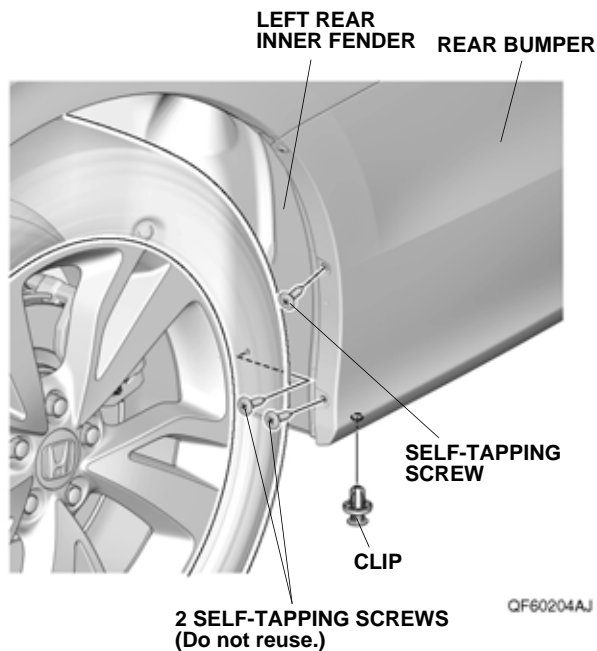
4. Secure the left front splash guard with four self-tapping screws in the order shown below.  
NOTE: Make sure there is no gap between the left front splash guard and the vehicle body. If there is a gap, loosen the self-tapping screws, hold the splash guard against the body, and retighten the screws.



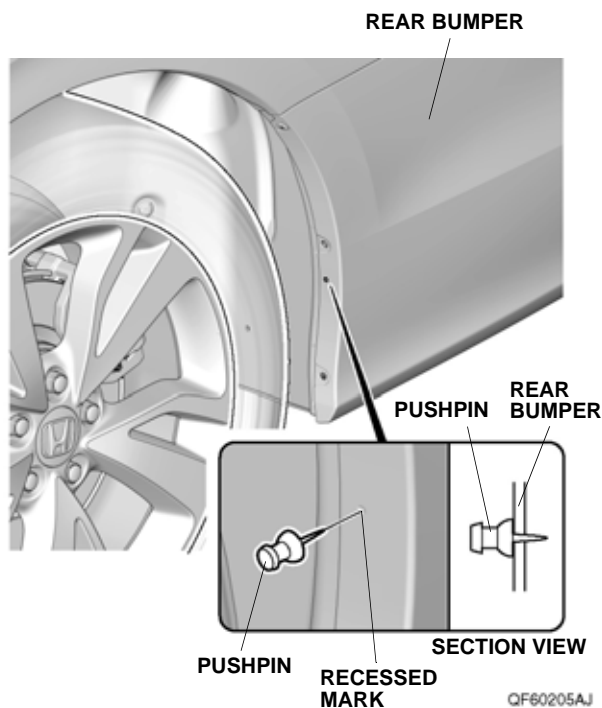
5. Turn the steering wheel fully clockwise, and repeat steps 2 through 4 for the right side of the vehicle.

## Installing the Rear Splash Guards

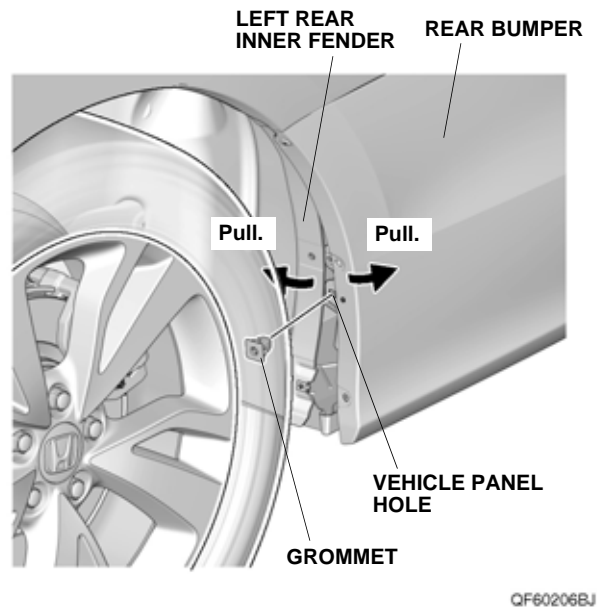
- Remove the three self-tapping screws and one clip from the rear bumper and left rear inner fender.



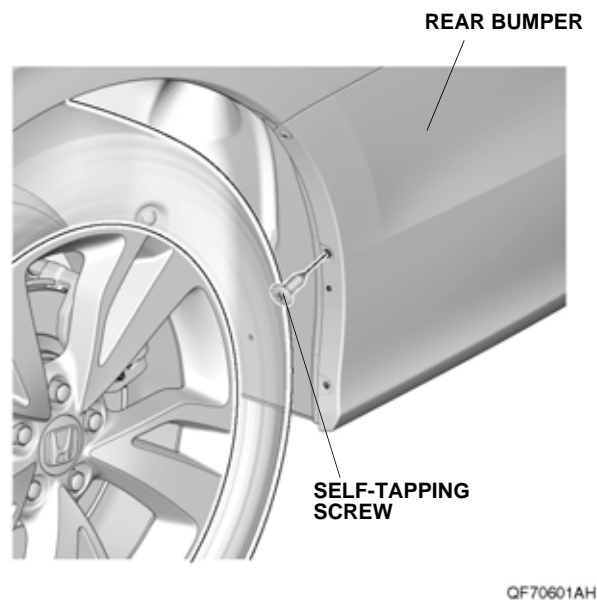
- Locate the recessed mark. Using a pushpin, pierce the rear bumper at the recessed mark. NOTE: Make sure to pierce the recessed mark perpendicular to the rear bumper.



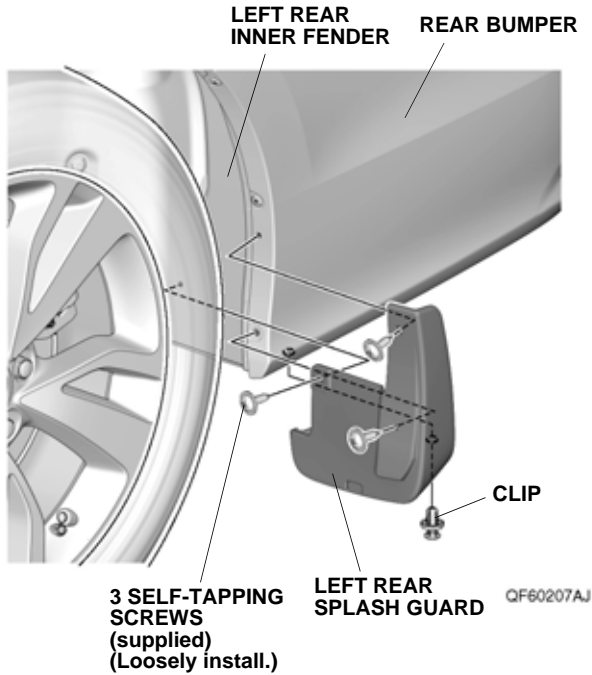
- Pull apart the rear bumper and the left rear inner fender. Install one grommet on the vehicle panel hole.



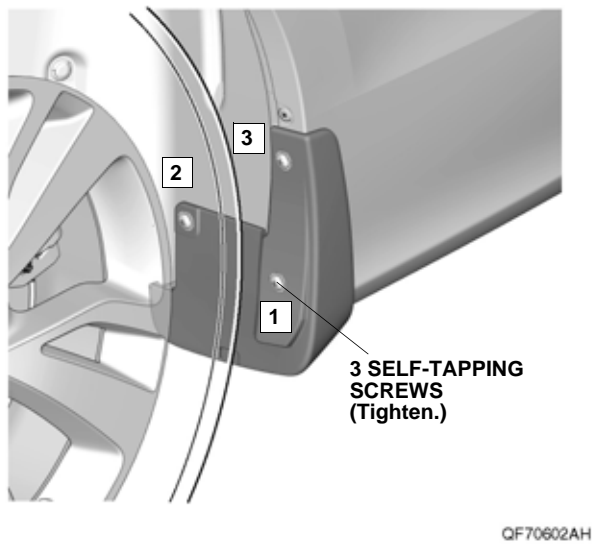
- Install the self-tapping screw removed in step 6.



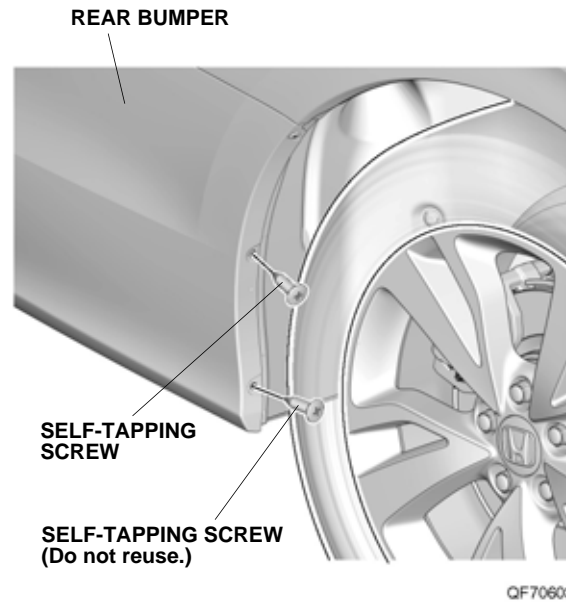
10. Loosely install the left rear splash guard on the rear bumper and left rear inner fender with three self-tapping screws, and install the clip removed in step 6.



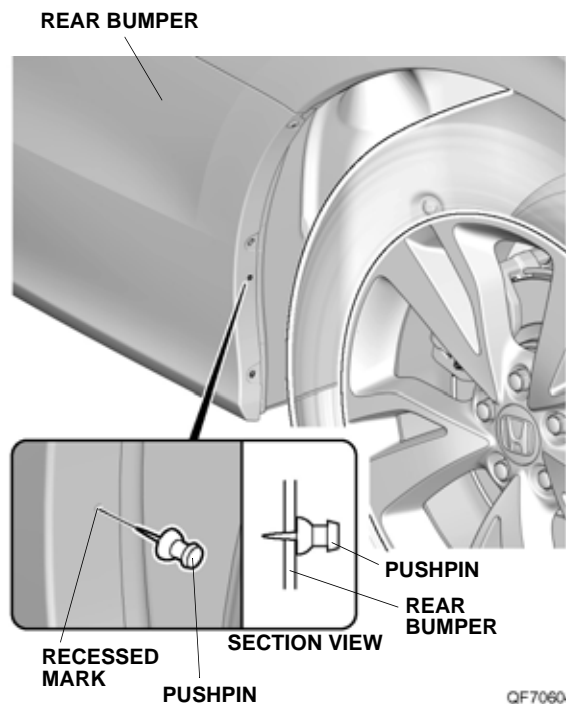
11. Secure the left rear splash guard with the three self-tapping screws in the order shown below. NOTE: Make sure there is no gap between the left rear splash guard and the bumper. If there is a gap, loosen the self-tapping screws, hold the splash guard against the bumper, and retighten the screws.



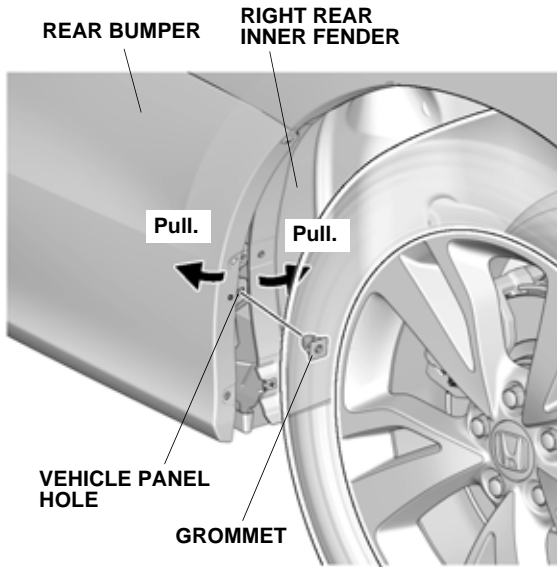
12. Remove the two self-tapping screws from the right side of the rear bumper.



13. Locate the recessed mark. Using a pushpin, pierce the rear bumper at the recessed mark. NOTE: Make sure to pierce the recessed mark perpendicular to the rear bumper.

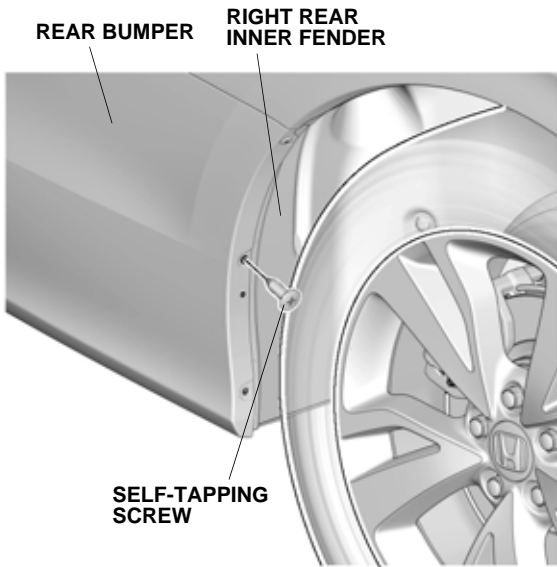


14. Pull apart the rear bumper and the right rear inner fender. Install one grommet on the vehicle panel hole.



QF70605BH

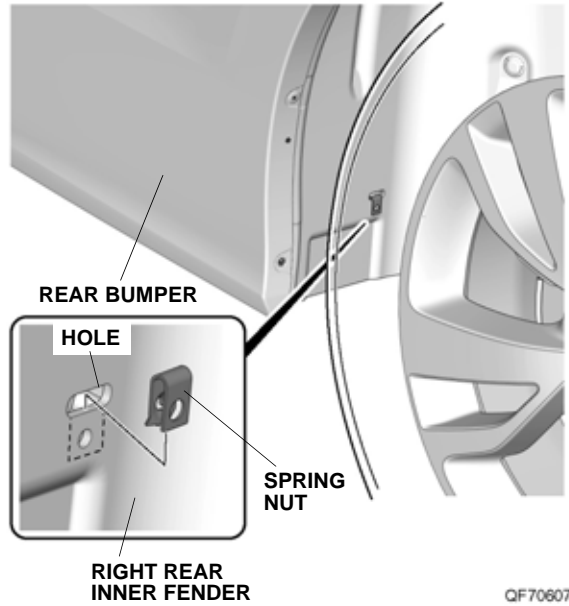
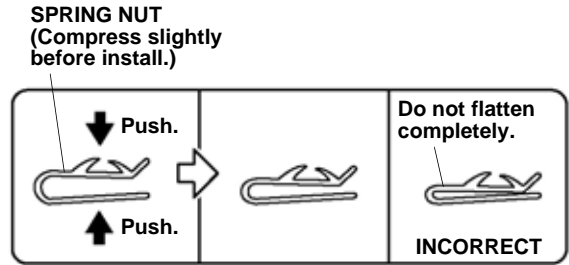
15. Install the self-tapping screw removed in step 12.



QF70606AH

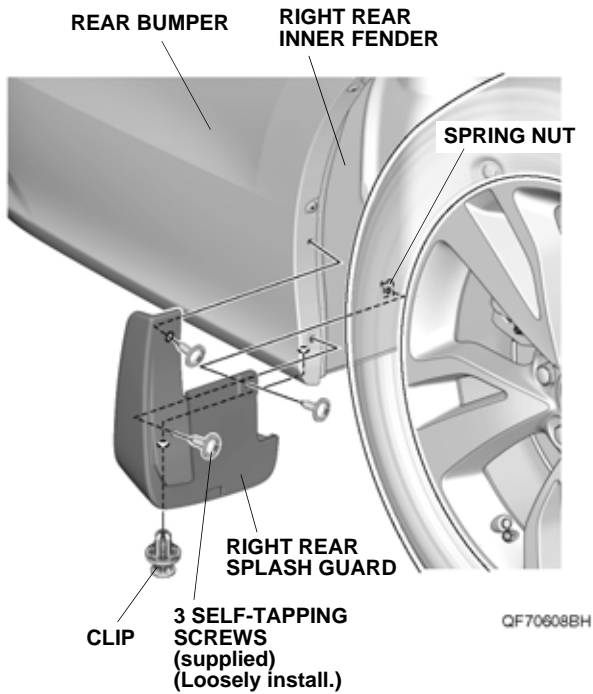
16. Install one spring nut into the right rear inner fender hole.

NOTE: Make sure to install the spring nut in the correct orientation.



QF70607BH

17. Loosely install the right rear splash guard on the rear bumper and spring nut with three self-tapping screws and clip.



18. Secure the right rear splash guard with the three self-tapping screws in the order shown below.  
NOTE: Make sure there is no gap between the right rear splash guard and the bumper. If there is a gap, loosen the self-tapping screws, hold the splash guard against the bumper, and retighten the screws.

