

Germain Honda of College Hills



INSTALLATION INSTRUCTIONS

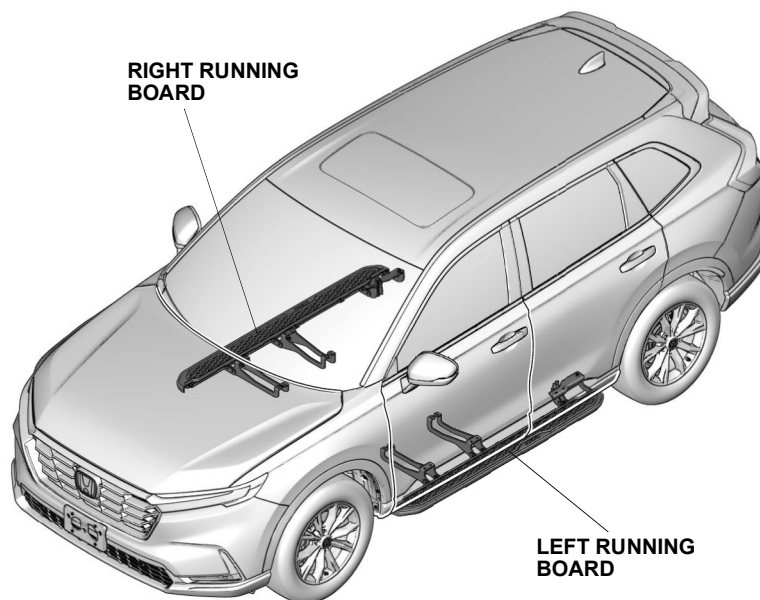
Accessory
RUNNING BOARDS

Application
**2023 CR-V
MODEL SERIES**

Publications No.
VERSION 1
Issue Date
AUG 2022

GENERAL VIEW

If you are also installing door lower trims (sold separately), install them before you install the running boards.



QLN0301AB

FOR YOUR SAFETY (Read carefully.)

Warning Symbols

Safety: Your safety, and the safety of others, is important. To help you make informed decisions about service procedures, we have provided safety messages where appropriate. Of course, it is not practical or possible to warn you about all the hazards associated with servicing a vehicle - you must use your own good judgment.

You will find important safety messages preceded by one of the following symbols:

*All symbols are not used in all installation instructions.

⚠ DANGER

You will be killed or seriously hurt if you do not follow the instructions.

⚠ WARNING

You can be killed or seriously hurt if you do not follow the instructions.

⚠ CAUTION

You can be hurt if you do not follow the instructions.

NOTICE

Gives advice to prevent damage to the product, vehicle, the environment or other property.

NOTE

Gives helpful information or instructions to be followed when installing this product.



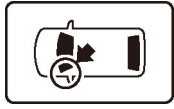
Indicates a prohibited action.

Germain Honda of College Hills

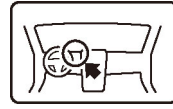
Procedure and Location Icons

These icons indicate the work location and the worker's point of view.

*All icons are not used in all installation instructions.



The location on the vehicle.



The location in the vehicle.
(Instrument panel.)



Wear eye protection.



Wear heavy gloves.



Use an assistant.



Place the part on a blanket.



Work perpendicular.



Remove any burrs.



Use touch-up paint and allow to dry.



Tighten to the specified torque.



Apply firm pressure while rolling, especially at the ends, to set the adhesive.



Press firmly.



Clean with isopropyl alcohol.



Return the original part to the customer.
(Do not reuse.)

Safety: General

- Observe all safety notes and precautions described in the service information, in addition to those described in this Installation Instruction. Be extremely careful for your safety and safety of others.
- Be careful not to damage the vehicle or the parts.
- Be extremely careful when handling retaining tabs and clips.
- Note the locations of the parts before removing them so they can be properly installed in their original positions.
- The illustrations may differ slightly from the actual accessory.

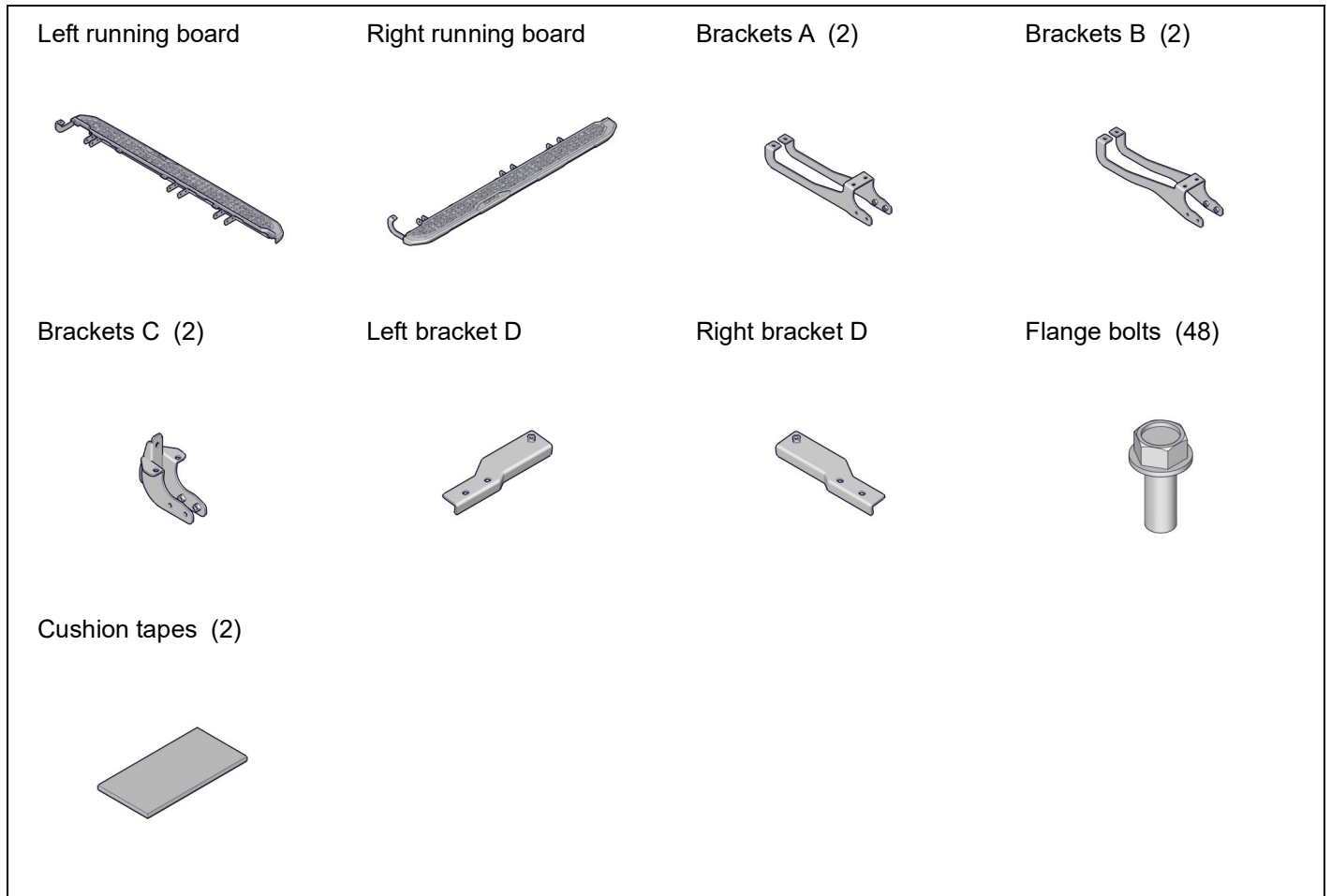
Safety: Accessory

- Always use the parts and tools specified in the installation instructions.
- Do not install the accessory on a dirty surface or in direct sunlight.
- Make sure the ambient air temperature is 60°F (15°C) or above when installing accessories that use adhesive material.
- When pressing the accessory firmly with the palm of your hand, be careful not to damage it or the vehicle.
- When applying adhesive material, make sure it is lined up properly before attaching. Once the adhesive material touches the surface, do not try to remove it. If you do, you could damage the part.
- Do not wash the vehicle for 24 hours to allow the adhesive to cure.

Germain Honda of College Hills

PARTS LIST

Running Boards Kit (P/N 08L33-3A0-100)



REQUIRED TOOLS AND SUPPLIES

- Ratchet
- Utility knife
- Ruler
- 10 mm and 12 mm Sockets
- Touch-up paint
- Isopropyl alcohol
- Torque wrench
- Shop towel
- Scissors

The following tools are available through the Honda Tool and Equipment Program:

- Trim Tool Set (T/N SOJATP2014)
- Plastic Trim Tool (T/N SILTRIMTL10)
- Air Saw (T/N AT192A)

Germain Honda of College Hills

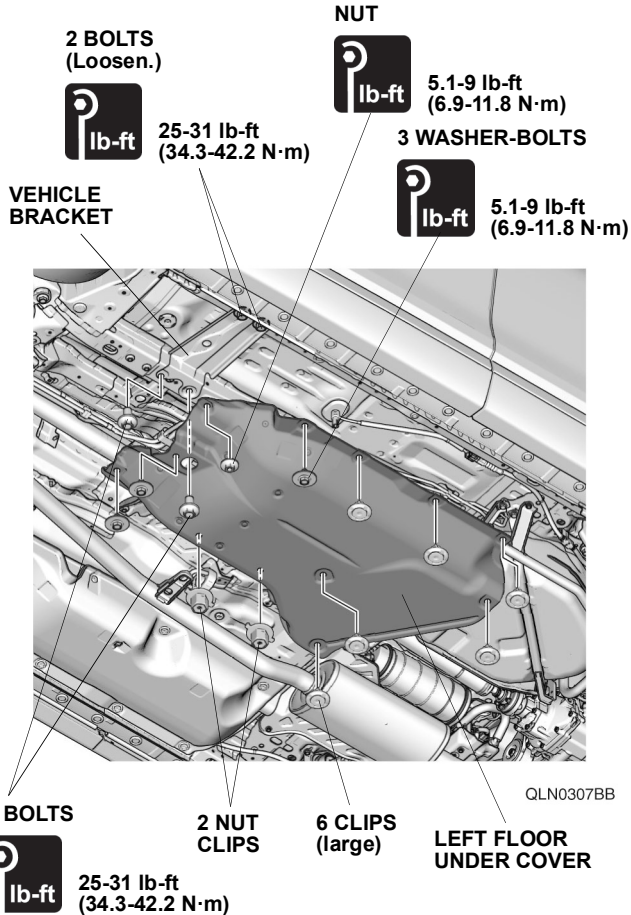
INSTALLATION

1. Choose one of these options.

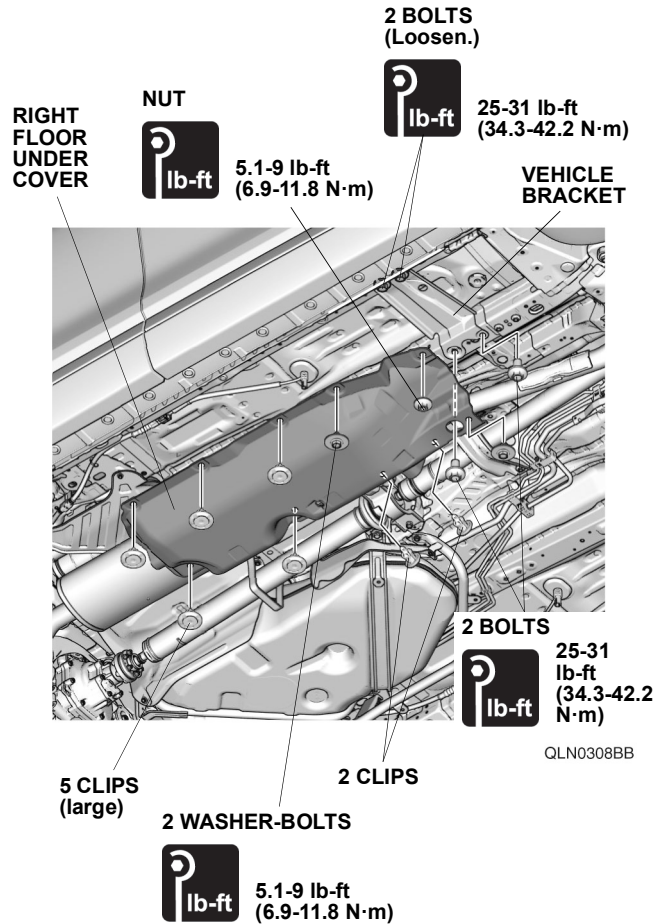
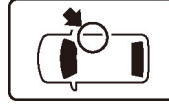
- | | |
|------------------------------------|---------------|
| • With separate floor under cover | Go to step 2 |
| • With one-piece floor under cover | Go to step 11 |

2. Lift up the vehicle.

3. Remove the left floor under cover.



4. Remove the right floor under cover.

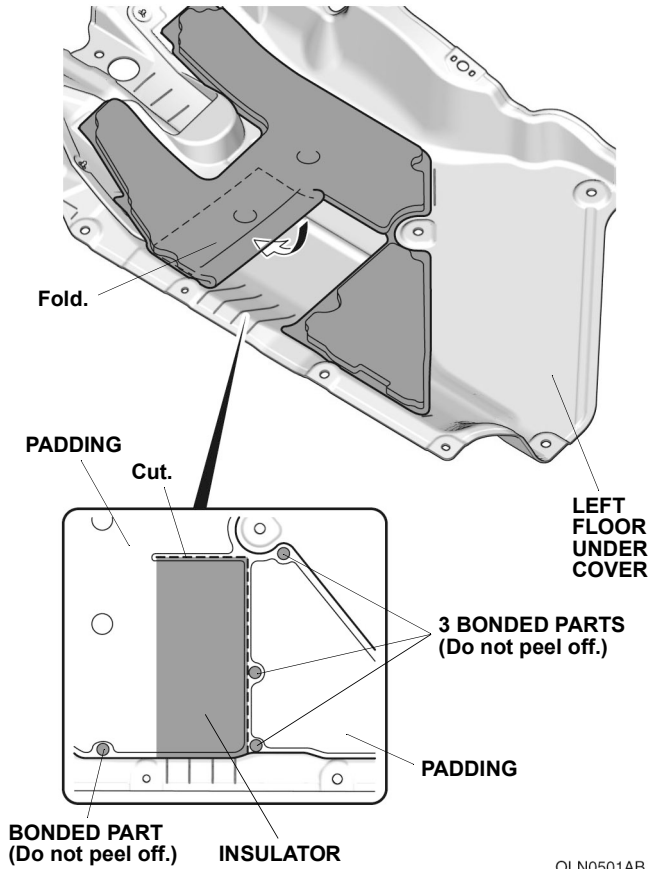


Germain Honda of College Hills

5. Cut the insulator.

NOTE

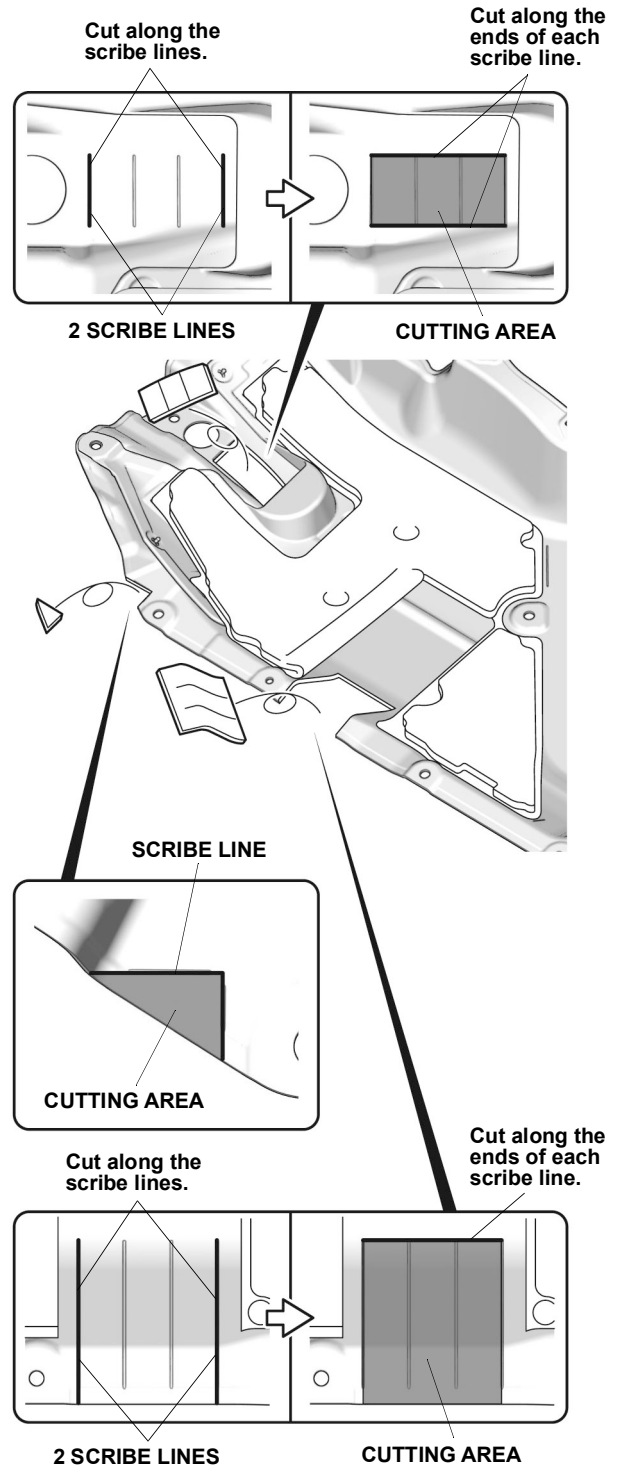
- Do not cut into the padding.
- Do not peel off the bonded parts on the insulator.



QLN0501AB

6. Fold the insulator.

7. Cut off the left floor under cover.



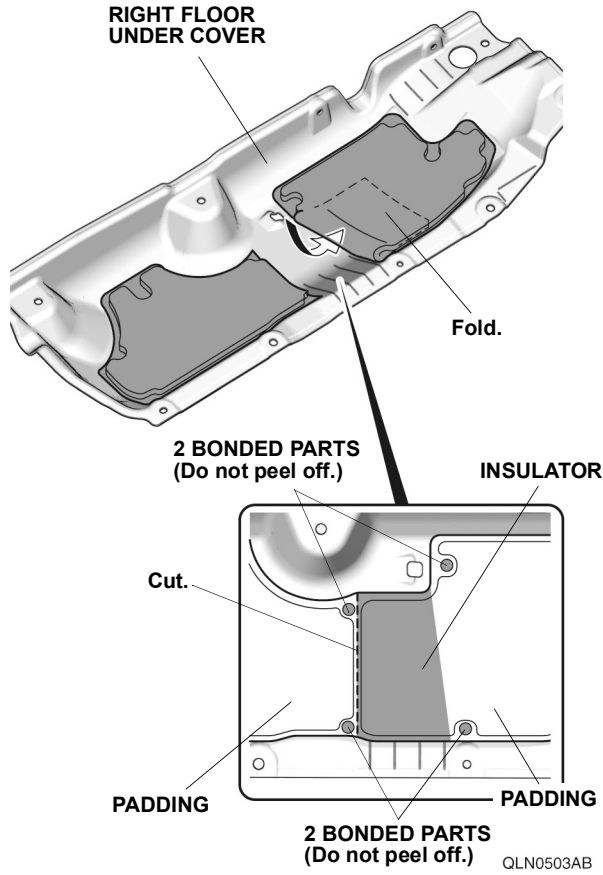
QLN0502AB

Germain Honda of College Hills

8. Cut the insulator.

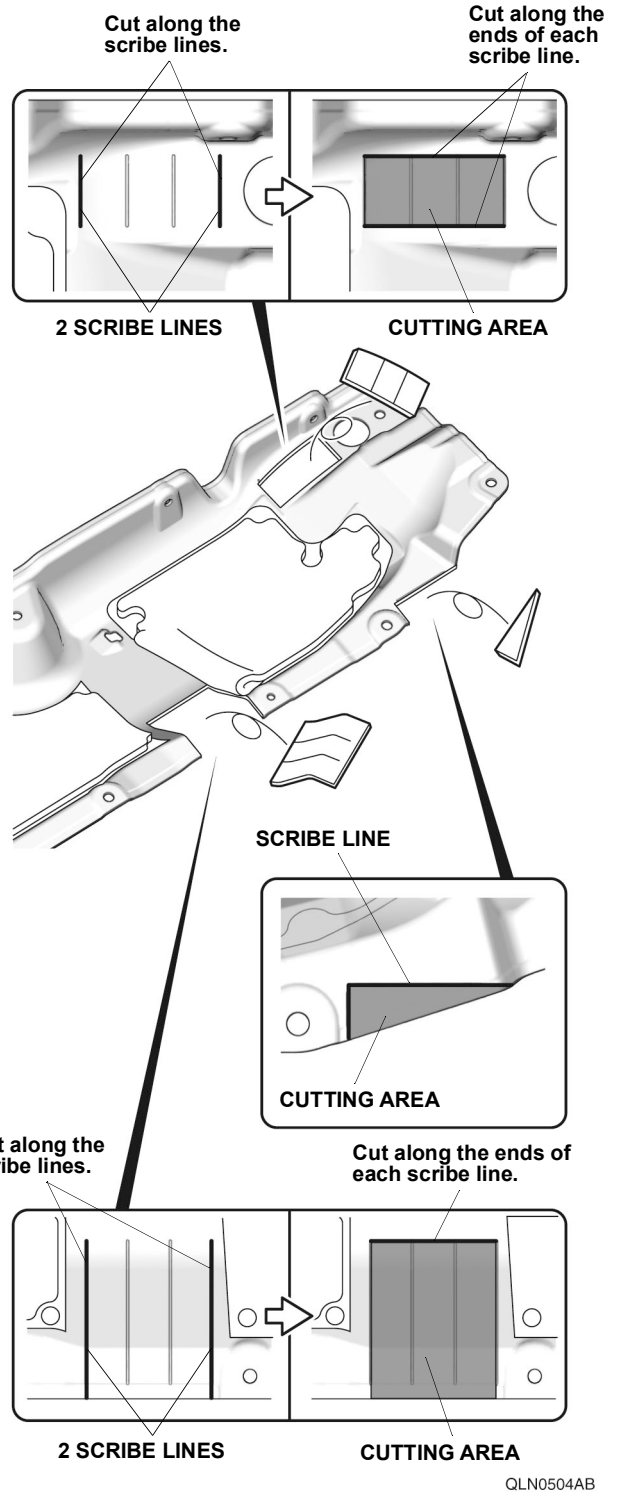
NOTE

- Do not cut into the padding.
- Do not peel off the bonded parts in the insulator.



9. Fold the insulator.

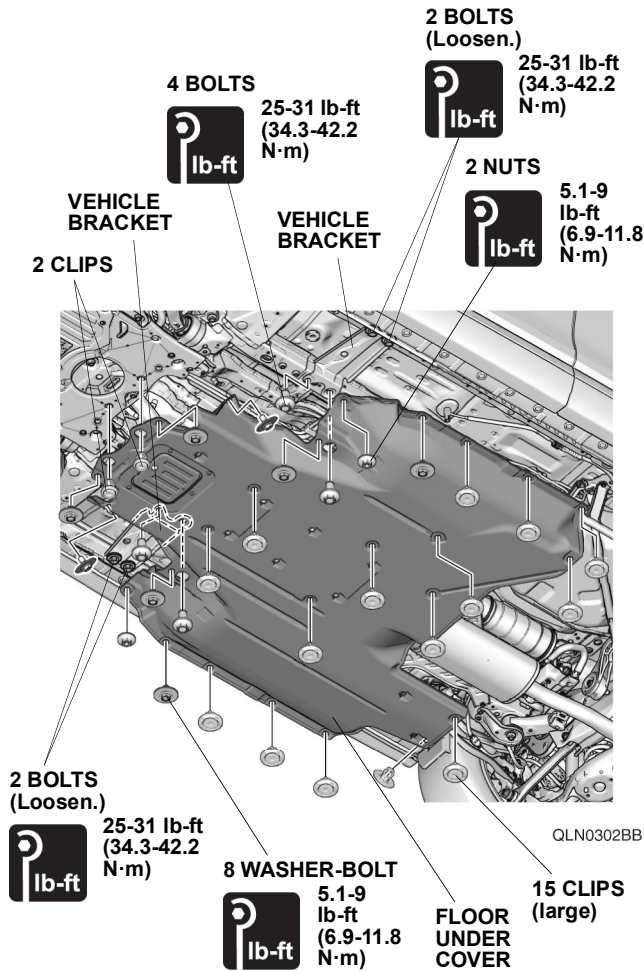
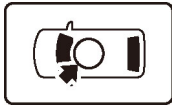
10. Cut off the floor under cover.



Go to step 19

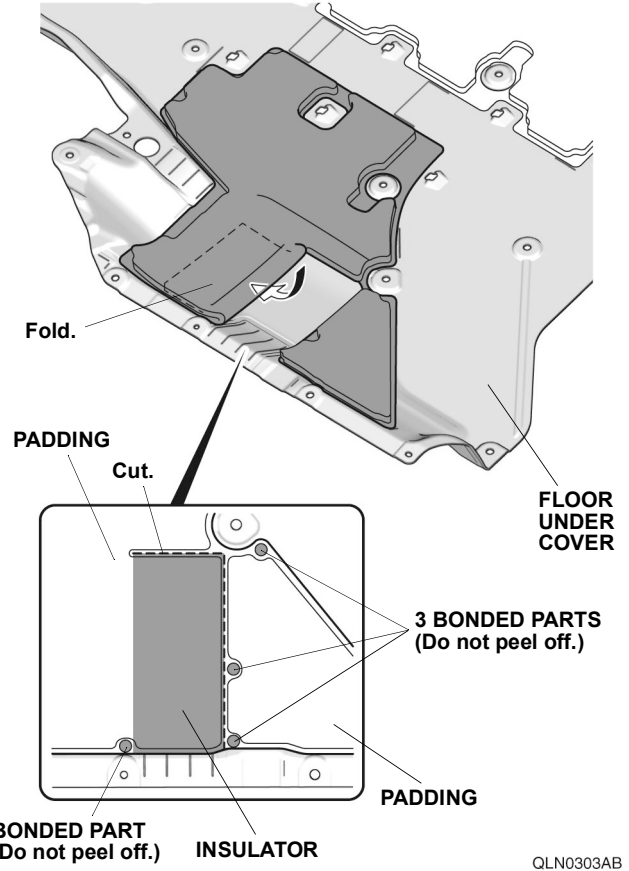
Germain Honda of College Hills

11. Lift up the vehicle.
12. Remove the floor under cover.



13. Cut the insulator.

NOTE
<ul style="list-style-type: none"> • Do not cut into the padding. • Do not peel off the bonded parts in the insulator.



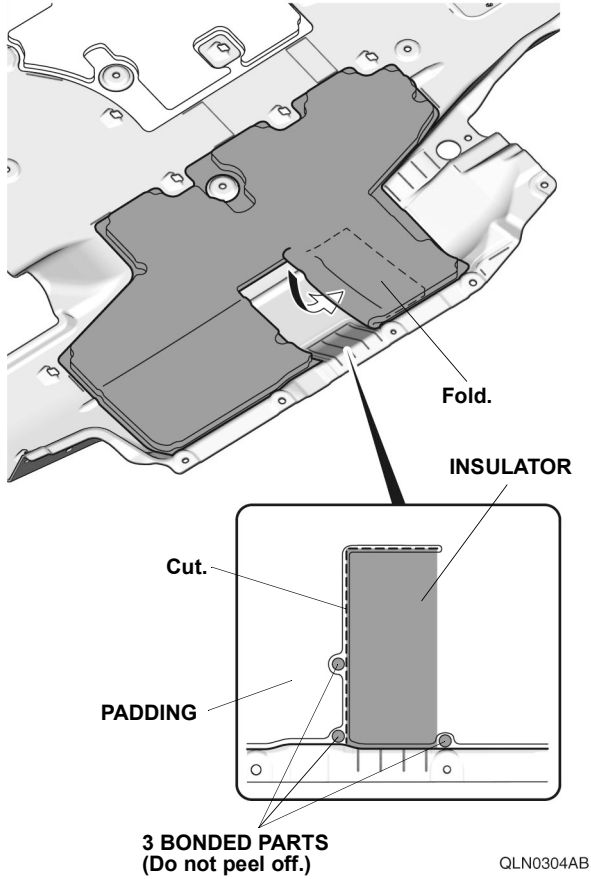
14. Fold the insulator.

Germain Honda of College Hills

15. Cut the insulator.

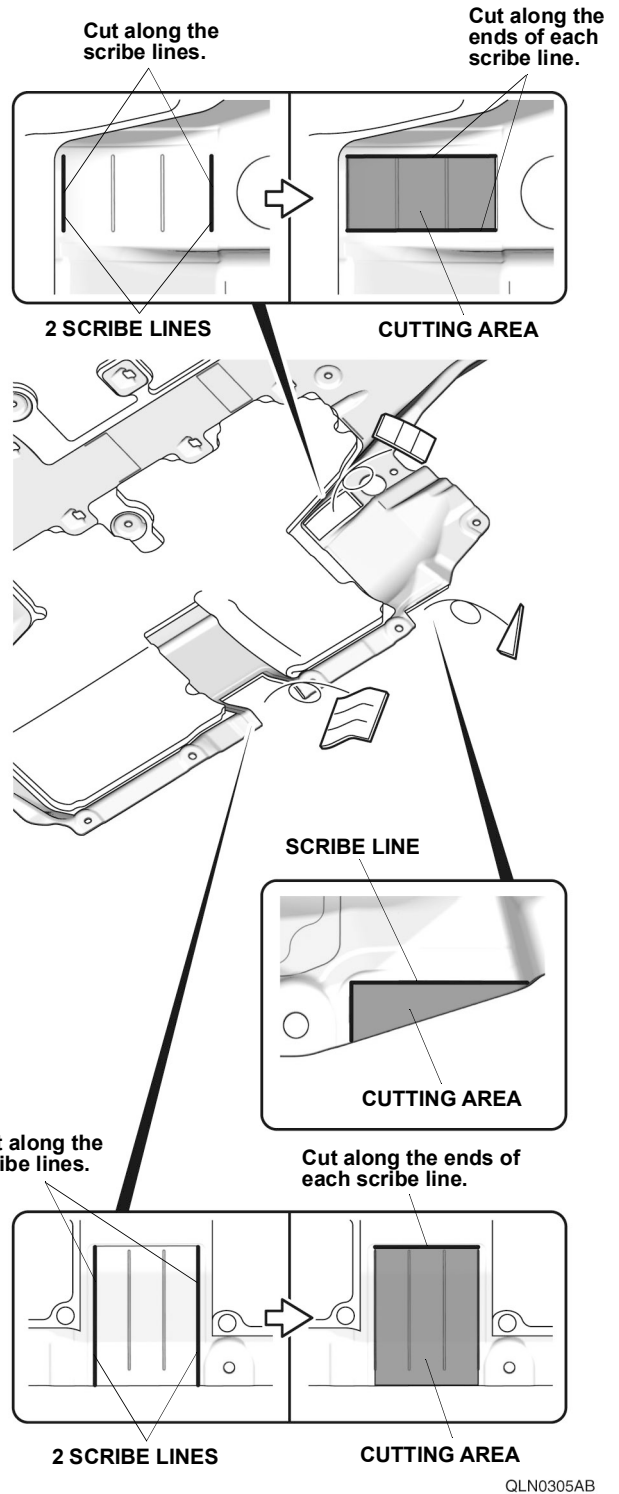
NOTE

- Do not cut into the padding.
- Do not peel off the bonded parts in the insulator.



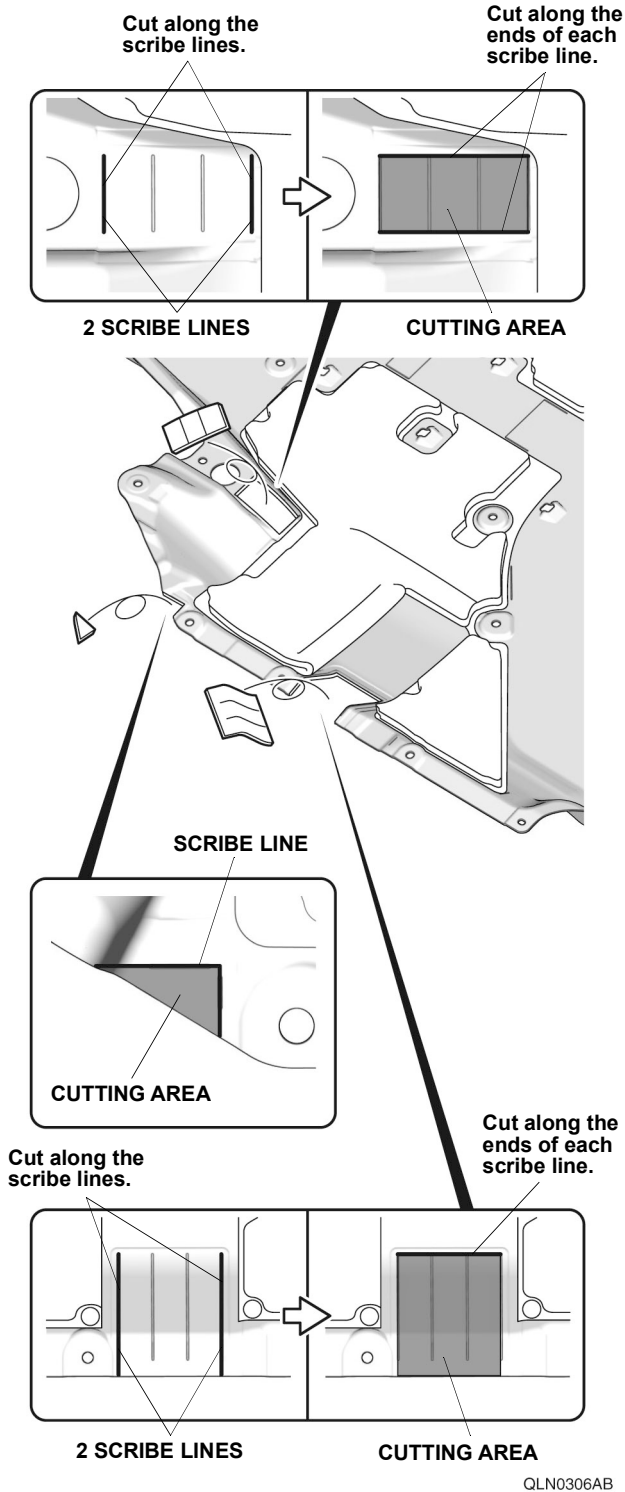
16. Fold the insulator.

17. Cut off the floor under cover.



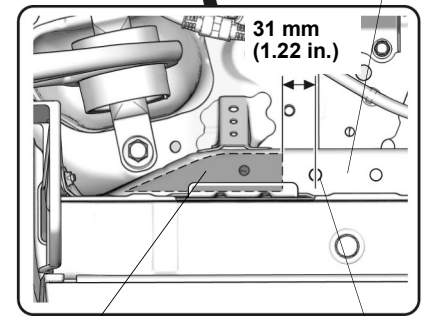
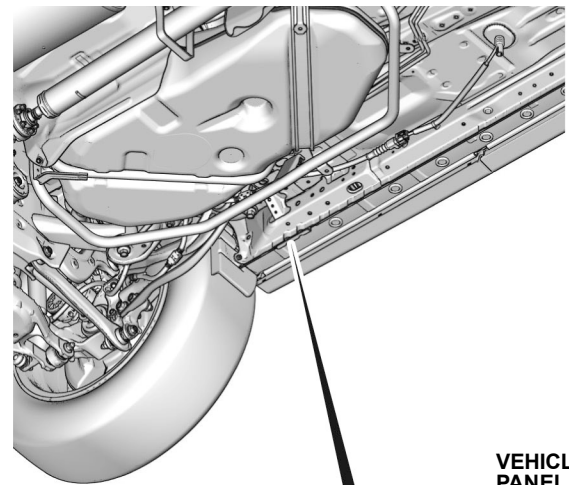
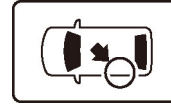
Germain Honda of College Hills

18. Cut off the floor under cover.



19. Remove the undercoat.

NOTE
Be careful not to damage the vehicle panel by filing off the undercoat excessively.



UNDERCOAT (Remove.)

HOLE

QLN0506AB



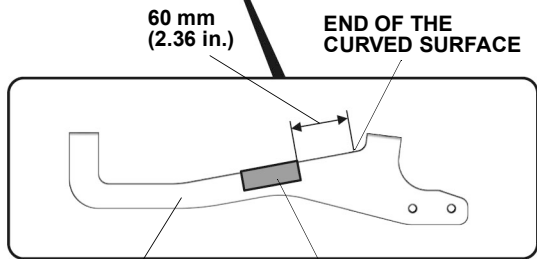
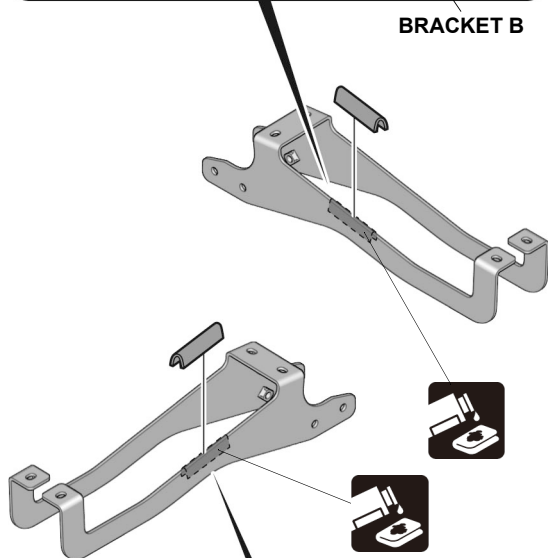
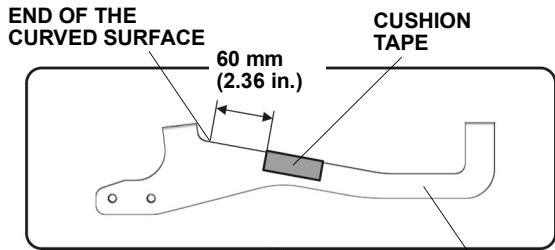
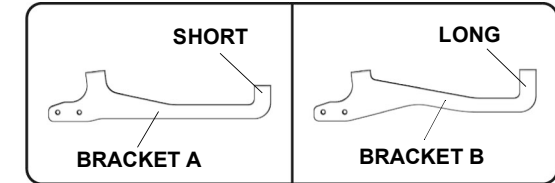
20. Repeat step 19 on the other side.

Germain Honda of College Hills

21. Attach the cushion tapes.

NOTE

- Make sure to check the shape before installation.
- Make sure to attach in the correct position.

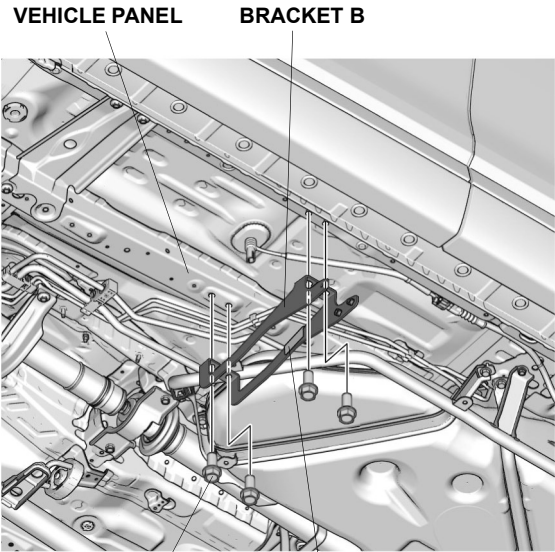
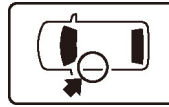


BRACKET B CUSHION TAPE
QLN0505AB

22. Loosely install the bracket B.

NOTE

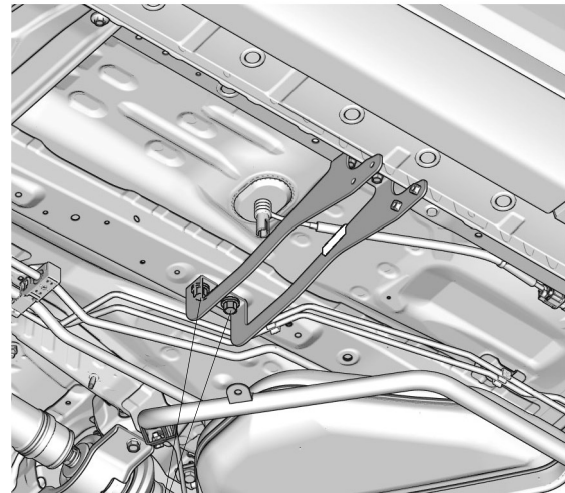
Make sure to install the bracket in the correct position.



4 FLANGE BOLTS (Loosely secure.)
CUSHION TAPE (Make sure the cushion tape is rearward.)

QLN0507AB

23. Tighten the flange bolts.



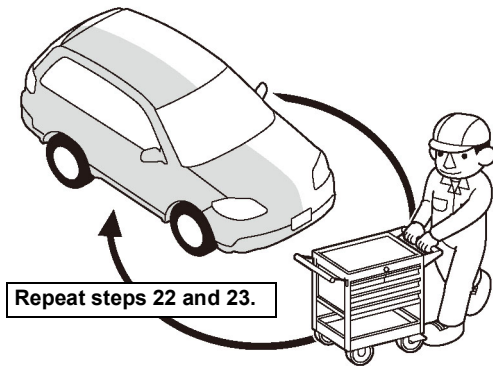
2 FLANGE BOLTS

QLN1606AB



Germain Honda of College Hills

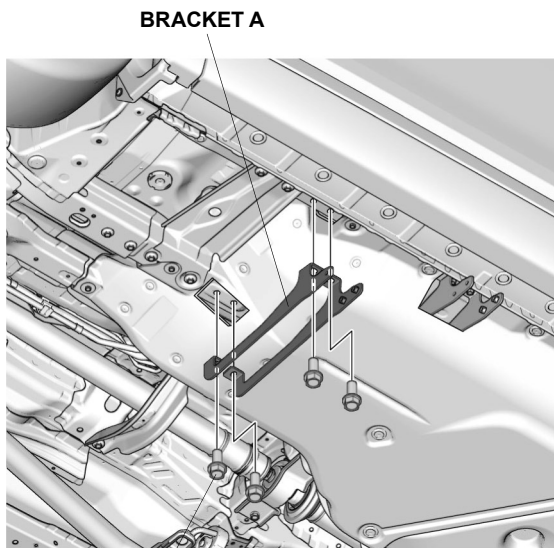
24. Repeat the same procedures on the other side.



Q9D1014AM

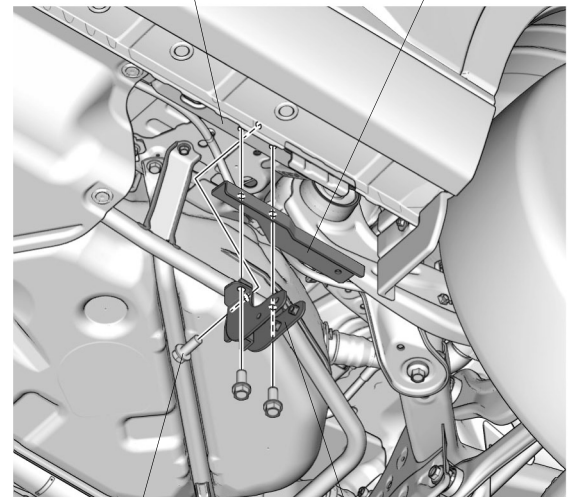
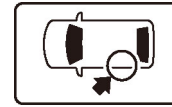
25. Install the left and right floor under covers and vehicle bracket. (with one-piece floor under cover; install the floor under cover and vehicle bracket.)

26. Loosely install the bracket A.



27. Loosely install the bracket C and left bracket D.

NOTE
Make sure to check the shape before installation.

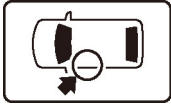


Germain Honda of College Hills

28. Loosely install the left running board.

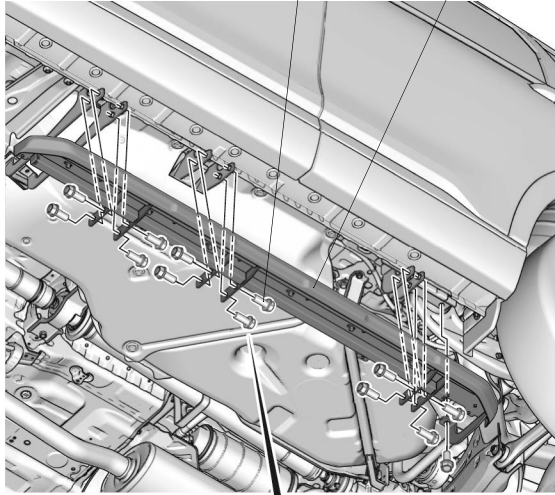
NOTE

Secure in the order shown.

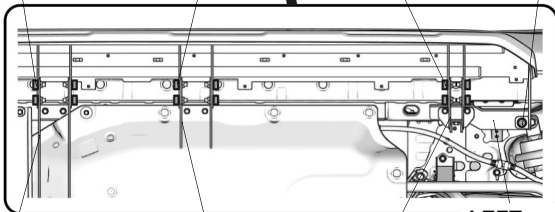


13 FLANGE BOLTS
(Loosely secure.)

LEFT RUNNING BOARD



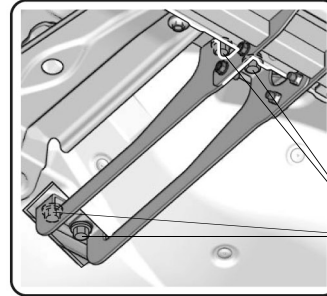
1 4 FLANGE BOLTS 2 4 FLANGE BOLTS 1 4 FLANGE BOLTS 3 FLANGE BOLT



BRACKET A BRACKET B BRACKET C LEFT BRACKET D

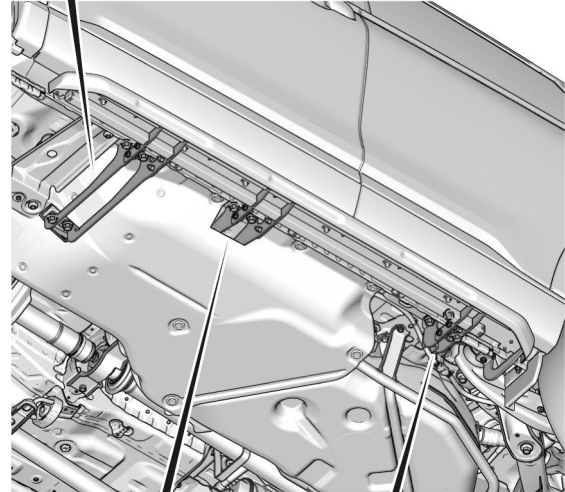
QLN0510AB

29. Secure the bracket A, bracket B and bracket C.

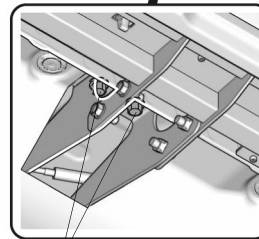


4 FLANGE BOLTS

16 lb-ft 16 lb-ft
(22 N·m)

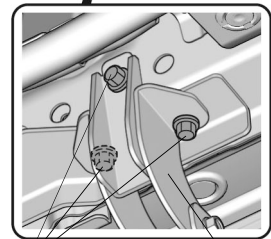


OPPOSITE SIDE VIEW



2 FLANGE BOLTS

16 lb-ft 16 lb-ft
(22 N·m)



3 FLANGE BOLTS

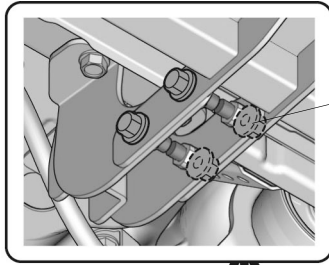
16 lb-ft 16 lb-ft
(22 N·m)

BRACKET C

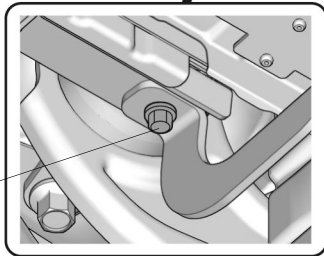
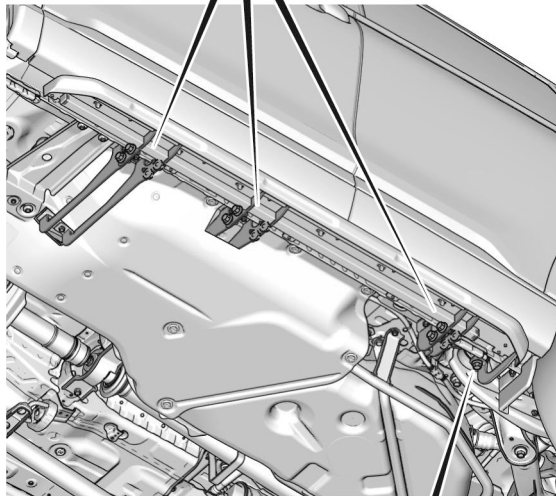
QLN0511AB

Germain Honda of College Hills

30. Secure the left running board.



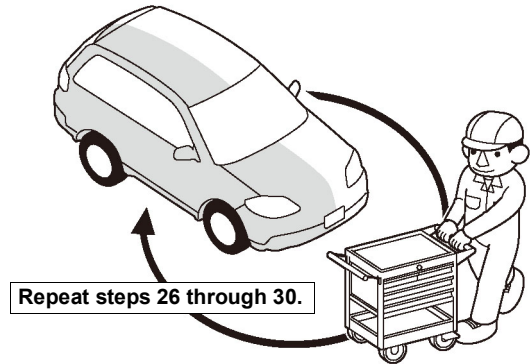
12 FLANGE BOLTS
16 lb-ft
(22 N·m)



FLANGE BOLT
16 lb-ft
(22 N·m)

QLN0512AB

31. Repeat the same procedures on the other side.



Repeat steps 26 through 30.

Q9D1014AM

32. Check that all parts are installed properly.