



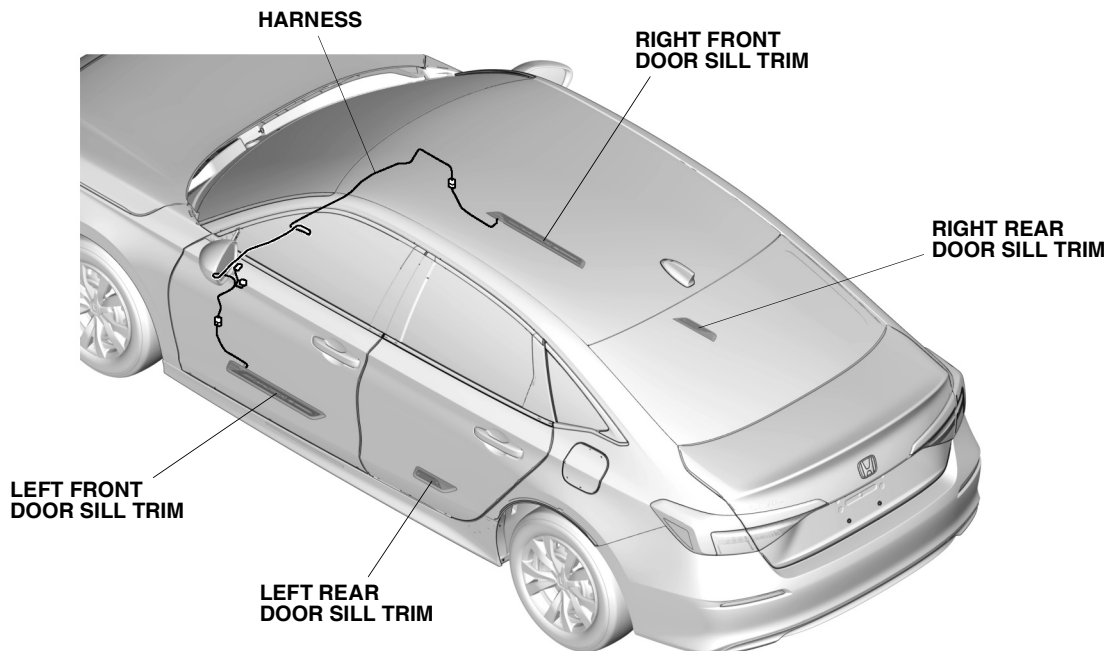
INSTALLATION INSTRUCTIONS

Accessory
ILLUMINATED
DOOR SILL TRIMS

Application
2022 CIVIC

Publications No.
All
Issue Date
JUN 2021

GENERAL VIEW



QK30201AR

FOR YOUR SAFETY (Read carefully.)

Warning Symbols

Safety: Your safety, and the safety of others, is important. To help you make informed decisions about service procedures, we have provided safety messages where appropriate. Of course, it is not practical or possible to warn you about all the hazards associated with servicing a vehicle - you must use your own good judgment.

You will find important safety messages preceded by one of following symbols:

*All symbols are not used in all installation instructions.

⚠ DANGER

You will be killed or seriously hurt if you do not follow the instructions.

⚠ WARNING

You can be killed or seriously hurt if you do not follow the instructions.

⚠ CAUTION

You can be hurt if you do not follow the instructions.

NOTICE

Gives advice to prevent damage to the product, vehicle, the environment or other property.

NOTE

Gives helpful information or instructions to be followed when installing this product.

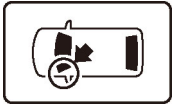


Indicates a prohibited action.

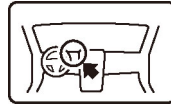
Procedure and Location Icons

These icons indicate the work location and the worker's point of view.

*All icons are not used in all installation instructions.



The location on the vehicle.



The location in the vehicle.
(instrument panel.)



Wear eye protection.



Wear heavy gloves.



Use an assistant.



Place the part on a blanket.



Work perpendicular.



Remove any burrs.



Use touch-up paint and allow to dry.



Tighten to the specified torque.



Apply firm pressure while rolling, especially at the ends, to set the adhesive.



Press firmly.

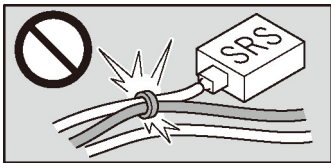


Clean with isopropyl alcohol.

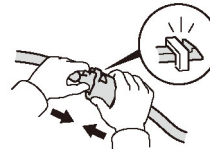


Return the original part to the customer.
(Do not reuse.)

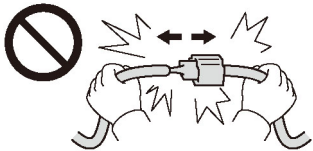
Wire Harness Routing Precaution



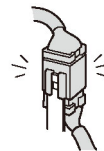
Do not secure the accessory harness to the SRS harness.
(except for instruction cases.)



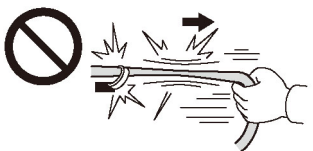
Push the connectors and terminals together until they lock.



Do not pull the harness to unplug the connectors.



Install removed connectors in their original location.



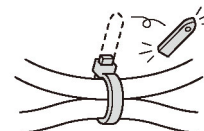
Do not pull the harness.



Secure the accessory harness as shown.



Do not pinch the harness.



Cut off the excess wire tie.

Safety: General

- Observe all safety notes and precautions described in the service information, in addition to those described in this Installation Instruction. Be extremely careful for your safety and the safety of others.
- Be careful not to damage the vehicle or the parts.
- Be extremely careful when handling retaining tabs and clips.
- Note the locations of the parts before removing them so they can be properly installed in their original positions.
- The illustrations may differ slightly from the actual accessory.

Safety: Electric Parts



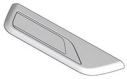

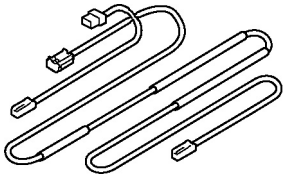
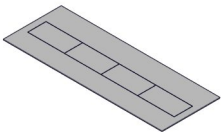
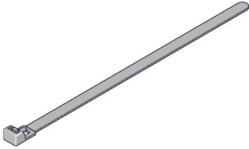
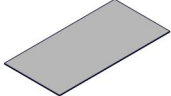
Always disconnect the negative cable from the battery before beginning work.

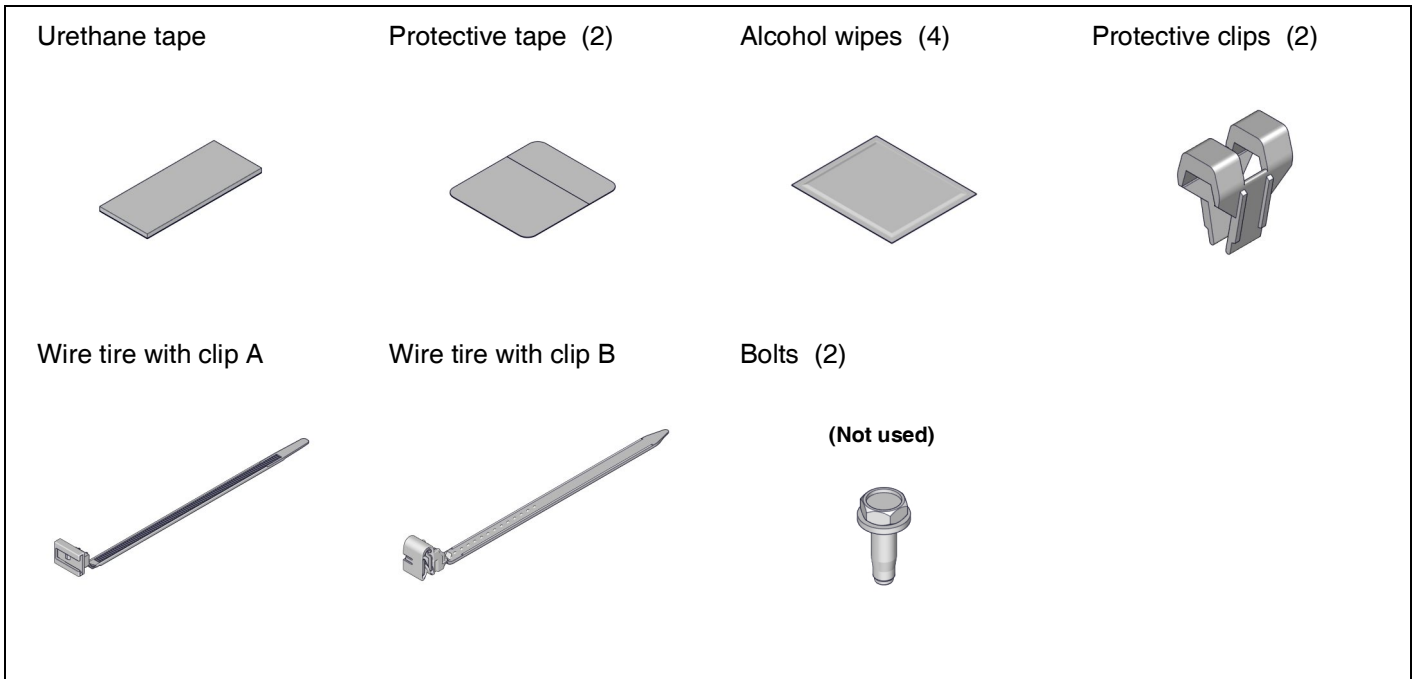
Safety: Accessory

- Always use the parts and tools specified in the installation instructions.
- Do not install the accessory on a dirty surface or in direct sunlight.
- Make sure the ambient air temperature is 60°F (15°C) or above when installing accessories that use adhesive material.
- When pressing the accessory firmly with the palm of your hand, be careful not to damage it or the vehicle.
- When applying adhesive material, make sure it is lined up properly before attaching. Once the adhesive material touches the surface, do not try to remove it. If you do, you could damage the part.
- Do not wash the vehicle for 24 hours to allow the adhesive to cure.

PARTS LIST

Illuminated Door Sill Trim Kit (P/N 08E12-T20-100B)

Left front door sill trim (Identification mark: L)	Right front door sill trim (Identification mark: R)	Left rear door sill trim (Identification mark: L)	Right rear door sill trim (Identification mark: R)
			
Harness	Fuse label	Wire ties (16)	Aluminum tape (3)
			



REQUIRED TOOLS AND SUPPLIES

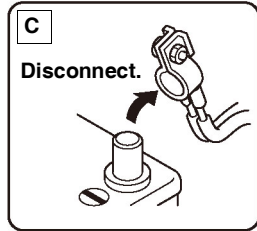
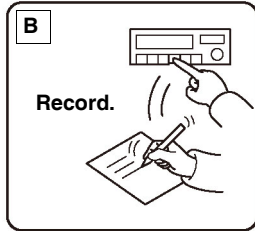
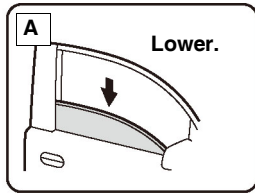
- 10 mm Ratchet
- Shop towel
- Isopropyl alcohol
- Ruler
- 10 mm Socket
- Masking tape
- Diagonal cutters
- Steel wire
- 10 mm Open end wrench
- Scissors
- Electrical tape
- Phillips screwdriver

The following tools are available through the Honda Tool and Equipment Program:

- Trim Tool Set (T/N SOJATP2014)
- Rubber Roller (T/N MHLE54D)
- Plastic Trim Tool (T/N SILTRIMTL10)

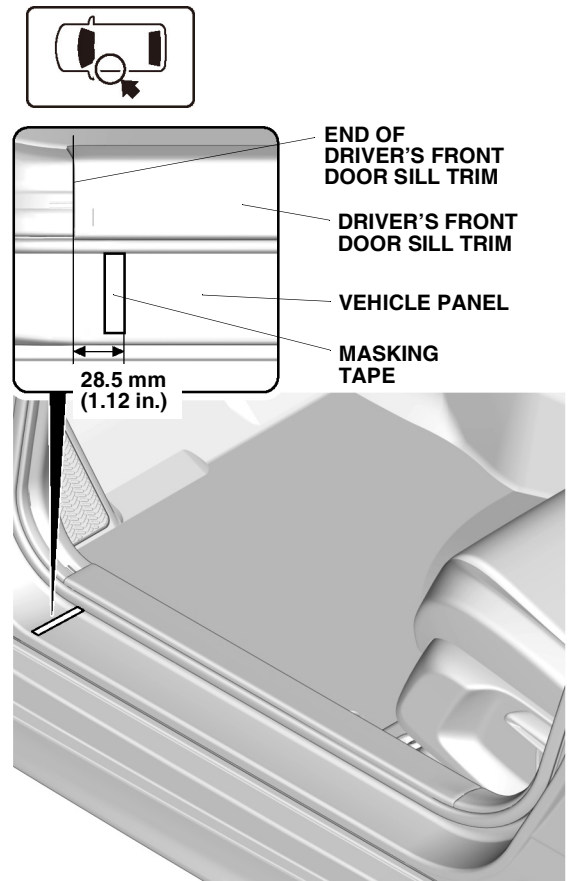
INSTALLATION

1. Disconnect the negative cable from the battery.



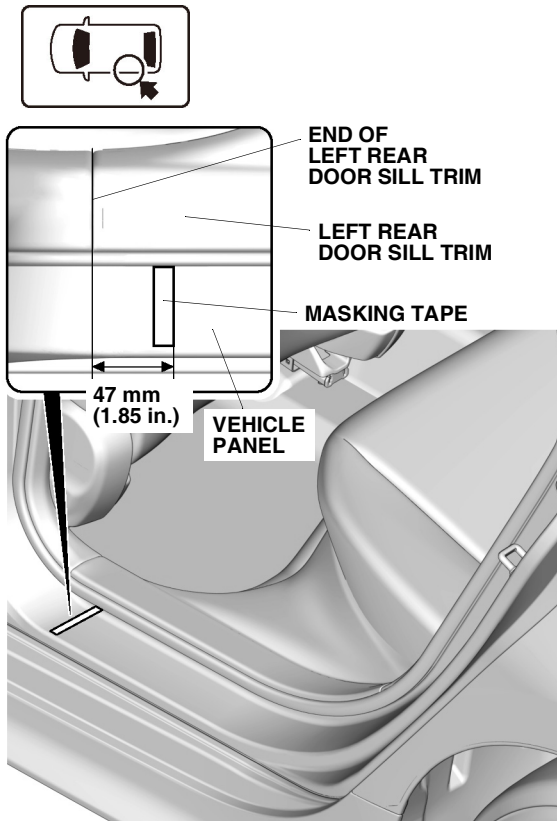
QCD0502BM

2. Attach the masking tape.



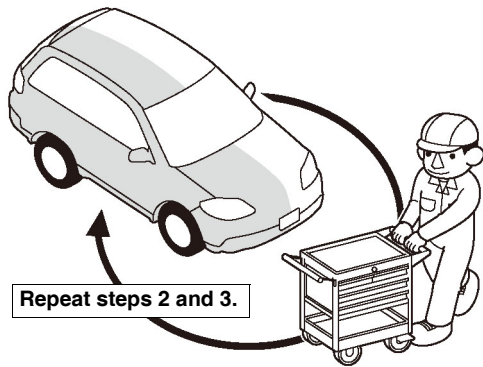
QK30202AR

3. Attach the masking tape.



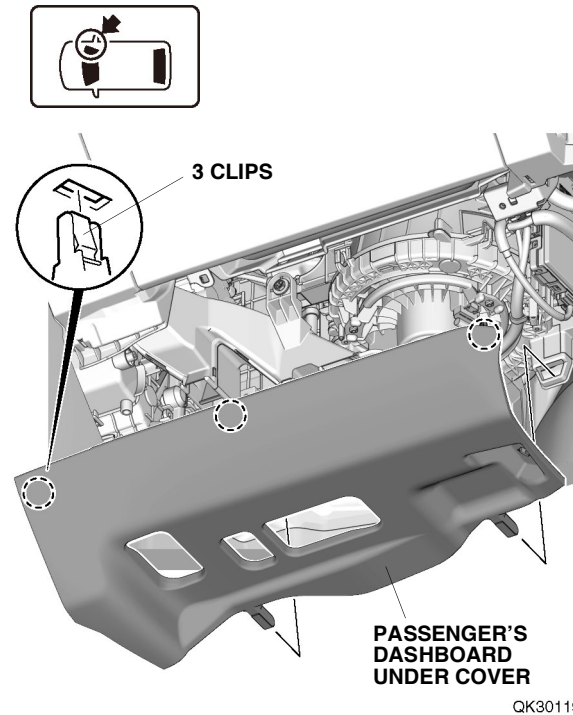
QK30203AR

4. Repeat the same procedures on the other side.



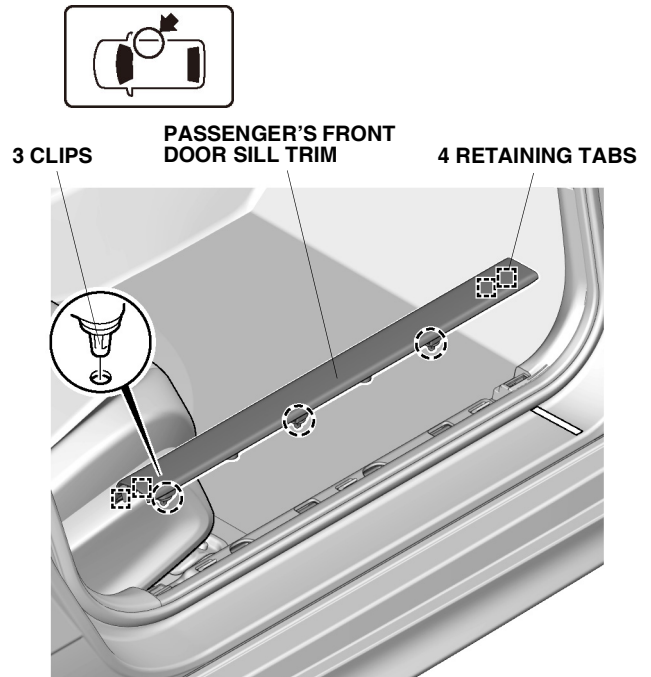
Q9D1014AM

5. Remove the passenger's dashboard under cover.



QK30119AT

6. Remove the passenger's front door sill trim.



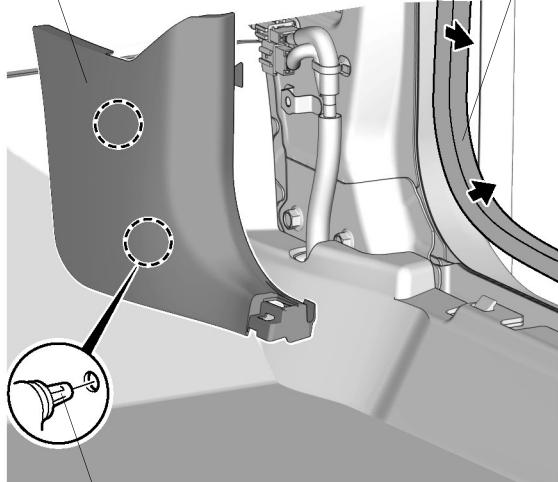
QK30204AR

7. Remove the passenger's kick panel.



PASSENGER'S
KICK PANEL

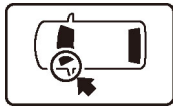
DOOR
OPENING
SEAL



2 CLIPS

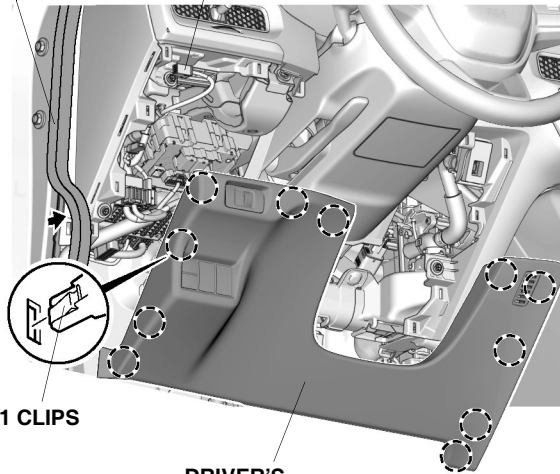
QK30109AT

8. Remove the driver's dashboard lower cover.



DOOR
OPENING
SEAL

VEHICLE
CONNECTORS

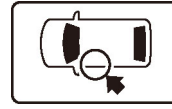


11 CLIPS

DRIVER'S
DASHBOARD
LOWER COVER

QK30118AT

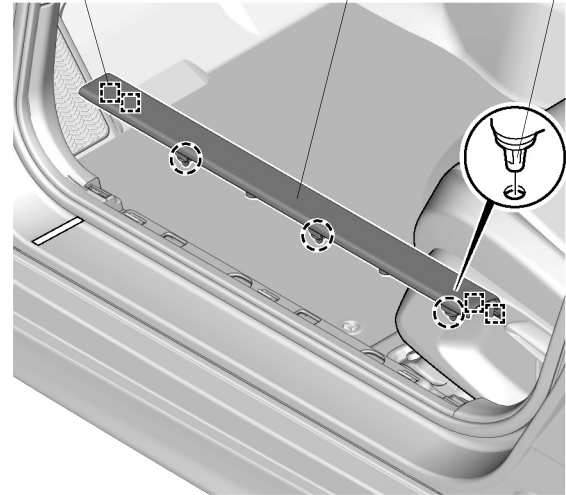
9. Remove the driver's front door sill trim.



4 RETAINING
TABS

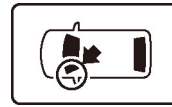
DRIVER'S FRONT
DOOR SILL TRIM

3 CLIPS



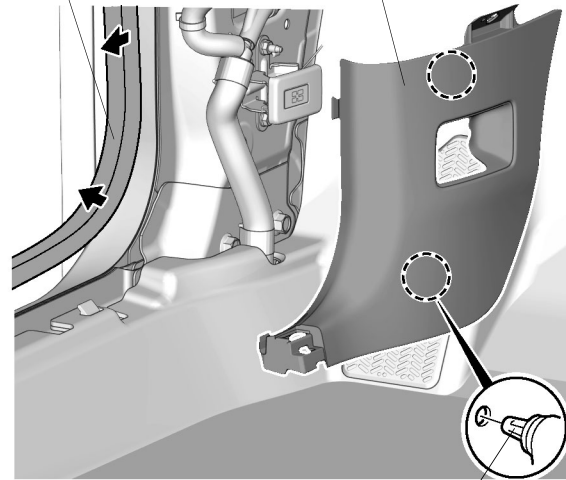
QK30205AR

10. Remove the driver's kick panel.



DOOR OPENING SEAL

DRIVER'S
KICK PANEL

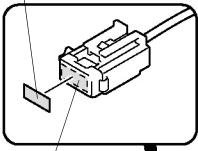


2 CLIPS

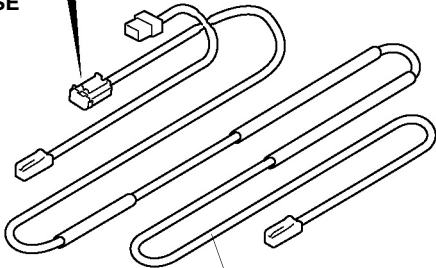
QK30108AT

11. Attach the fuse label.

FUSE LABEL
(2A STEP ILLUMI)



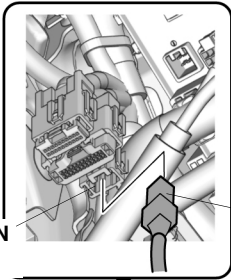
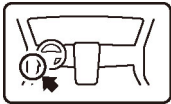
FUSE CASE



HARNESS

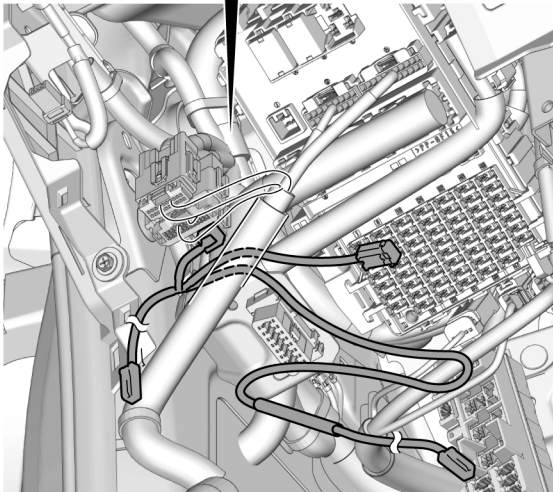
QK30206AR

12. Plug the harness connector.



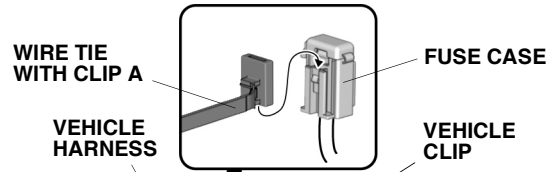
VEHICLE 4-PIN
CONNECTOR

HARNESS
4-PIN
CONNECTOR



QK30207BR

13. Attach the fuse case.

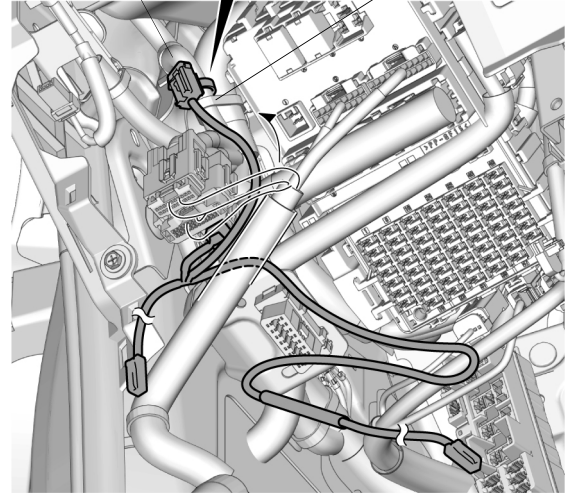


WIRE TIE
WITH CLIP A

FUSE CASE

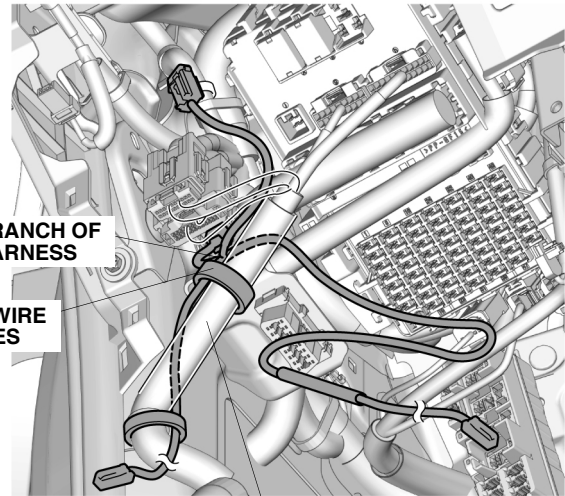
VEHICLE
HARNESS

VEHICLE
CLIP



QK30208BR

14. Secure the harness.



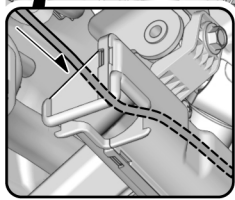
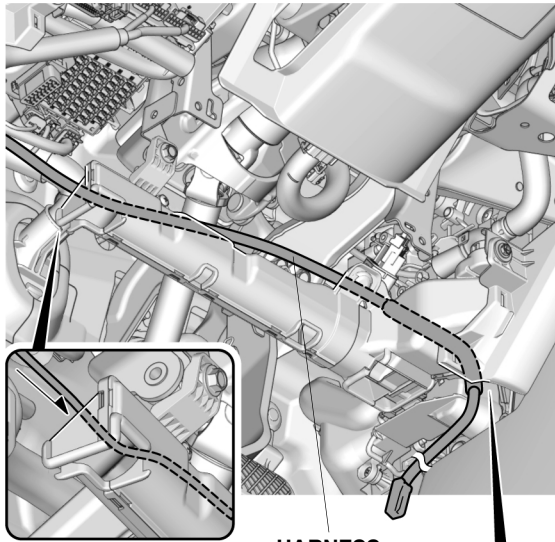
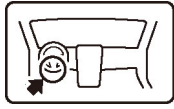
BRANCH OF
HARNESS

2 WIRE
TIES

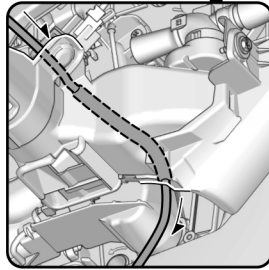
VEHICLE
HARNESS

QK30209BR

15. Route the harness.



HARNESS

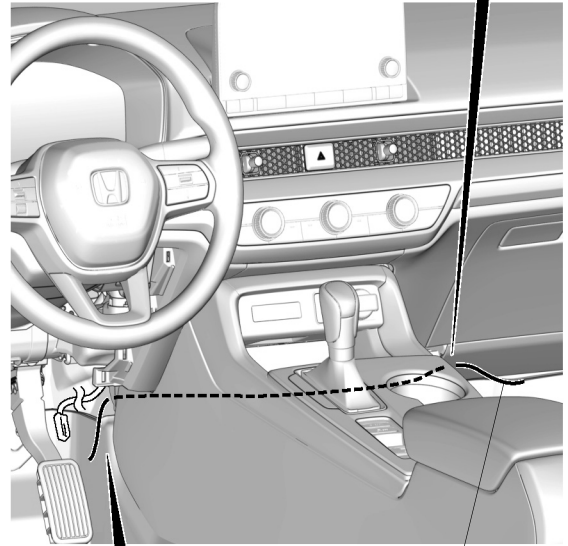
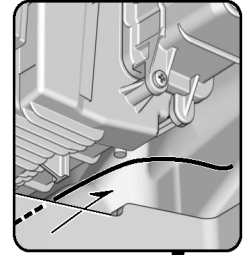


QL31601AH

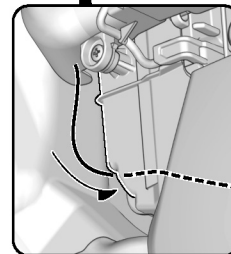
16. Route the steel wire.



OPPOSITE SIDE VIEW

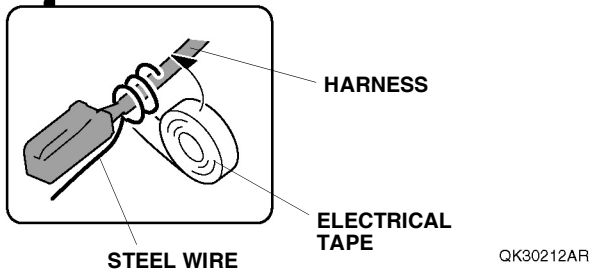
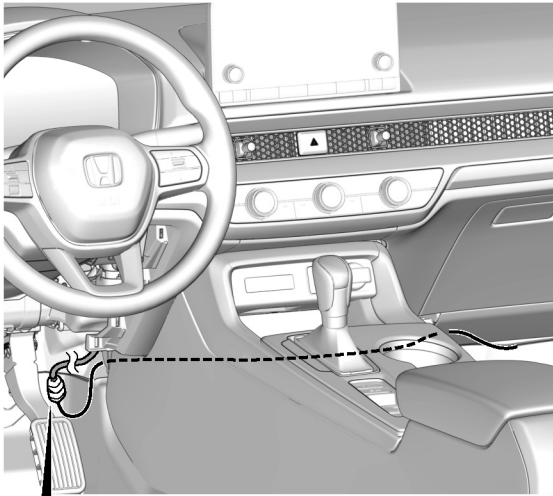


STEEL WIRE

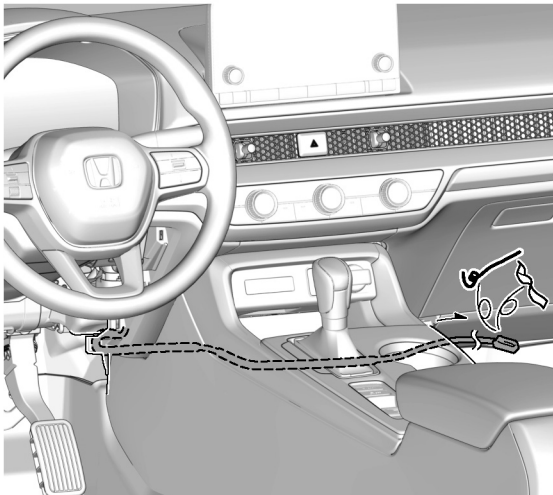


QK30211AR

17. Attach the steel wire.

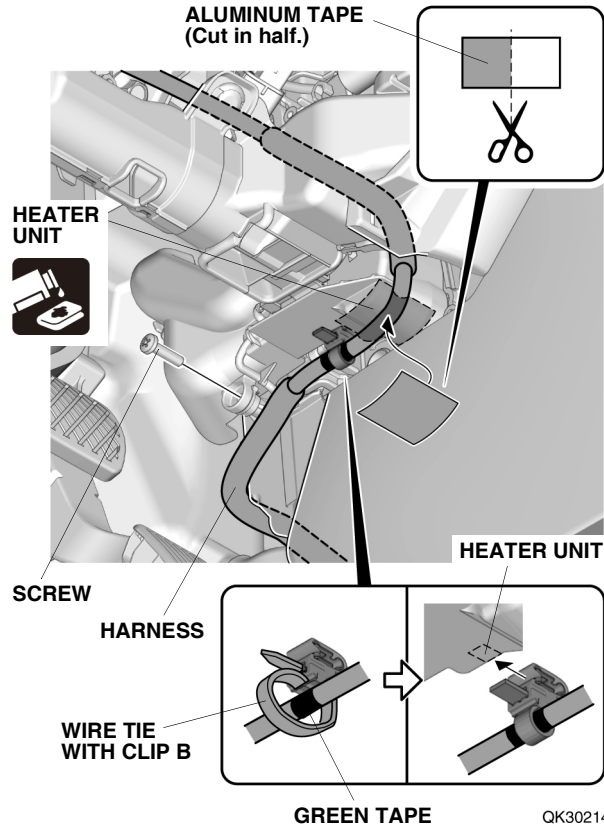
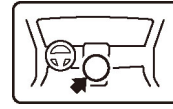


18. Route the harness.



QK30213AR

- 19. Remove the steel wire.
- 20. Remove the screw.



21. Secure the harness.

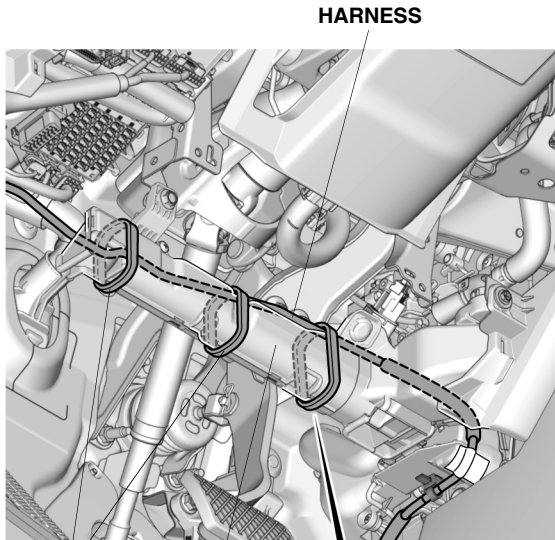
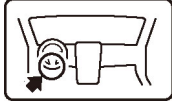
NOTE

Make sure to install the wire tie with clip in the correct orientation.

- 22. Install the screw.
- 23. Secure the harness.

NOTE

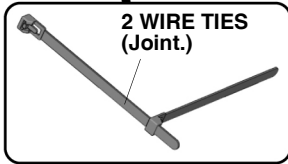
Do not cover the air conditioner opening.



HARNESS

2 WIRE TIES

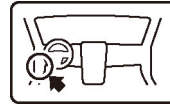
VEHICLE DUCT



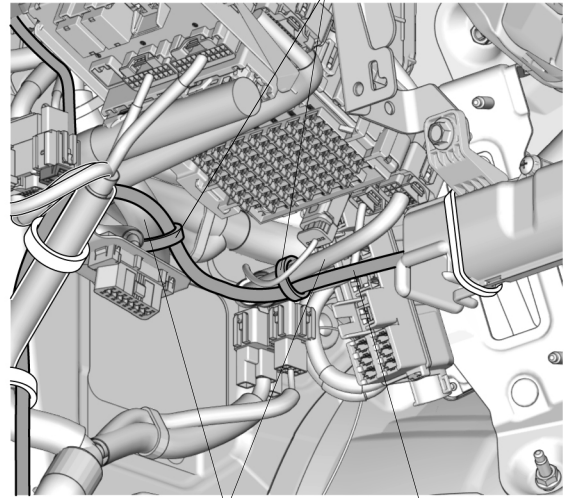
2 WIRE TIES (Joint.)

QL31602AH

24. Secure the harness.



2 WIRE TIES

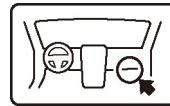


VEHICLE HARNESS

HARNESS

QL31603AH

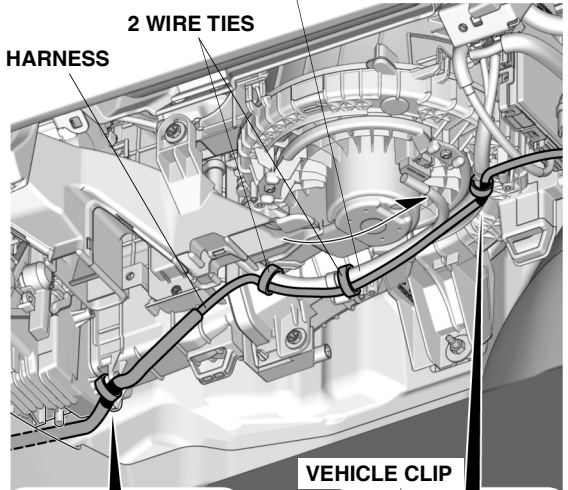
25. Secure the harness.



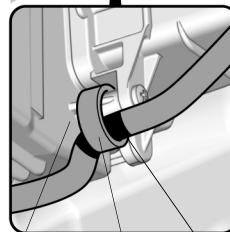
VEHICLE HARNESS

2 WIRE TIES

HARNESS



VEHICLE CLIP



HEATER UNIT

WIRE TIE

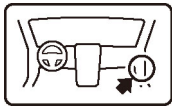
GREEN TAPE

GREEN TAPE

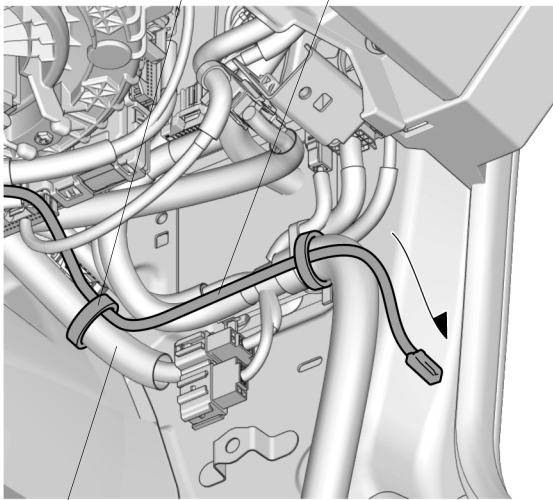
WIRE TIE

QL31604AH

26. Secure the harness.



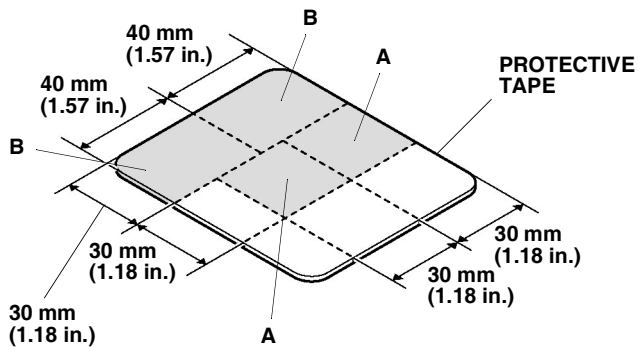
2 WIRE TIES HARNESS



VEHICLE HARNESS

QL31605AH

27. Cut the protective tape.



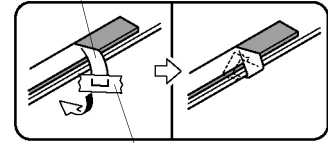
QE22410AH

28. Temporarily attach the adhesive backings.

NOTE

Make sure to check the identification mark before installation.

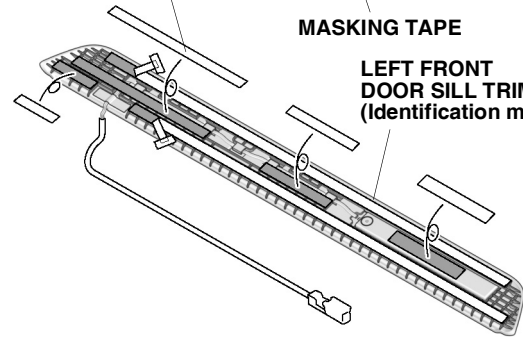
2 ADHESIVE BACKINGS (Attach.)



4 ADHESIVE BACKINGS (Remove.)

MASKING TAPE

LEFT FRONT DOOR SILL TRIM (Identification mark: L)



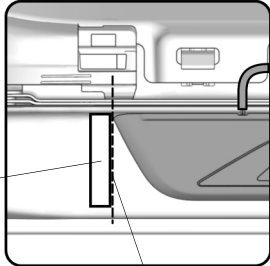
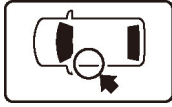
QK30219AR

29. Remove the adhesive backings.

30. Clean the vehicle panel.

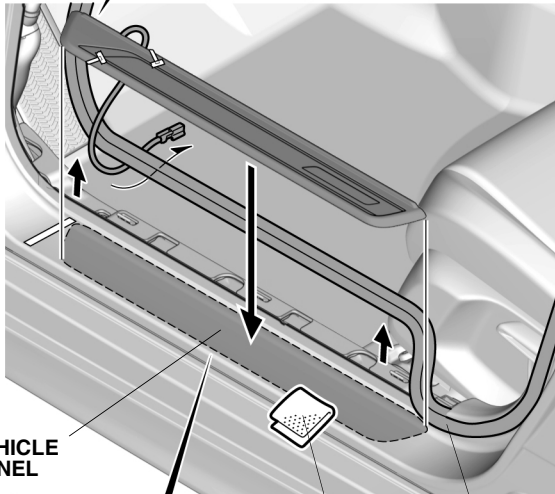
NOTE

Allow to dry thoroughly.

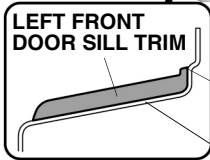


MASKING TAPE

Line up.



VEHICLE PANEL



SECTION VIEW

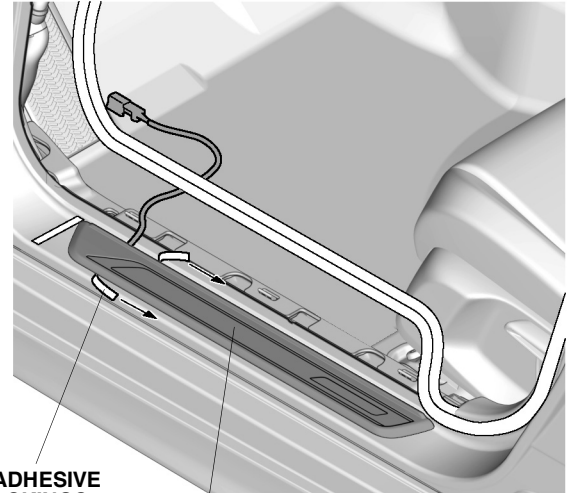
ALCOHOL WIPE
Contact.

VEHICLE PANEL

DOOR OPENING SEAL

QK30220BR

31. Line up the left front door sill trim.
32. Secure the left front door sill trim.

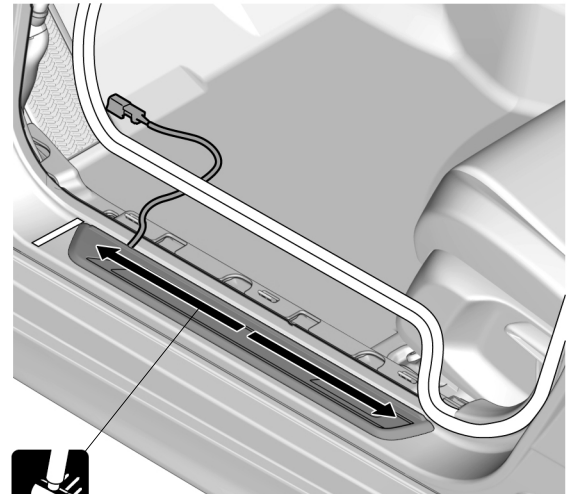


2 ADHESIVE BACKINGS (Remove.)



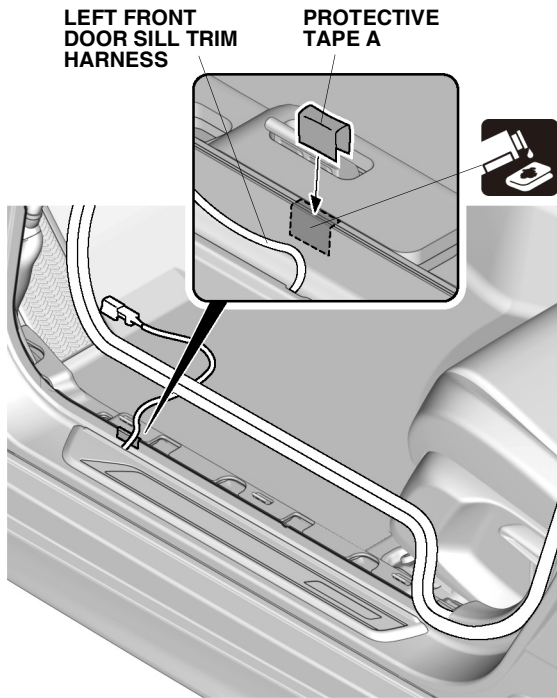
QK30221AR

33. Secure the left front door sill trim.



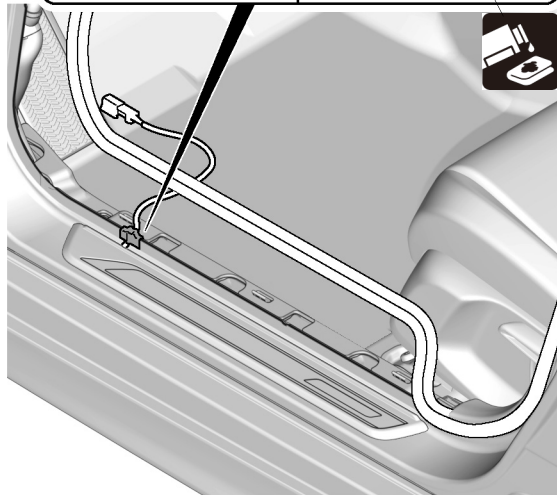
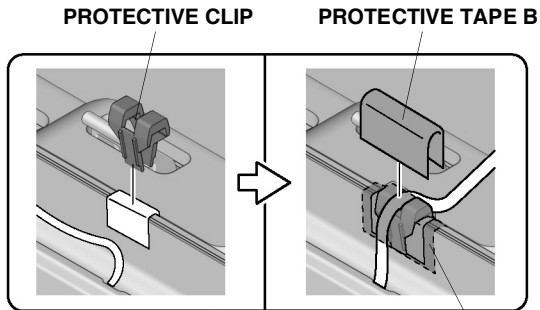
QL31201AH

34. Remove the masking tape.
35. Attach protective tape A.



QK30222AR

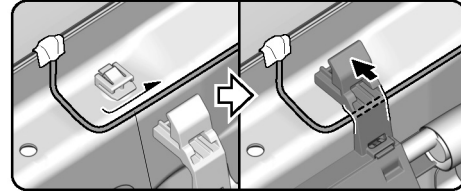
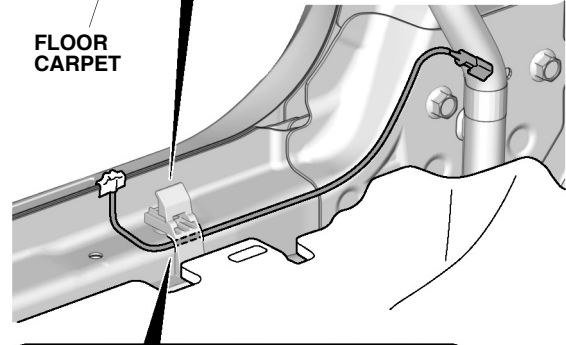
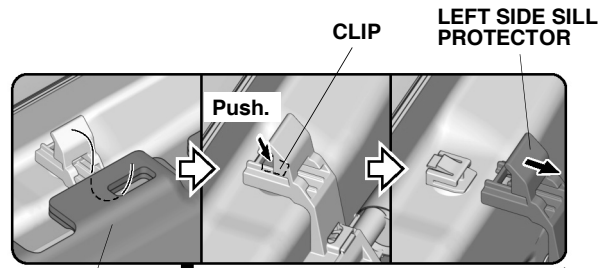
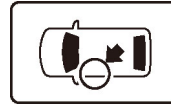
36. Install the protective clip.



QK30223AR

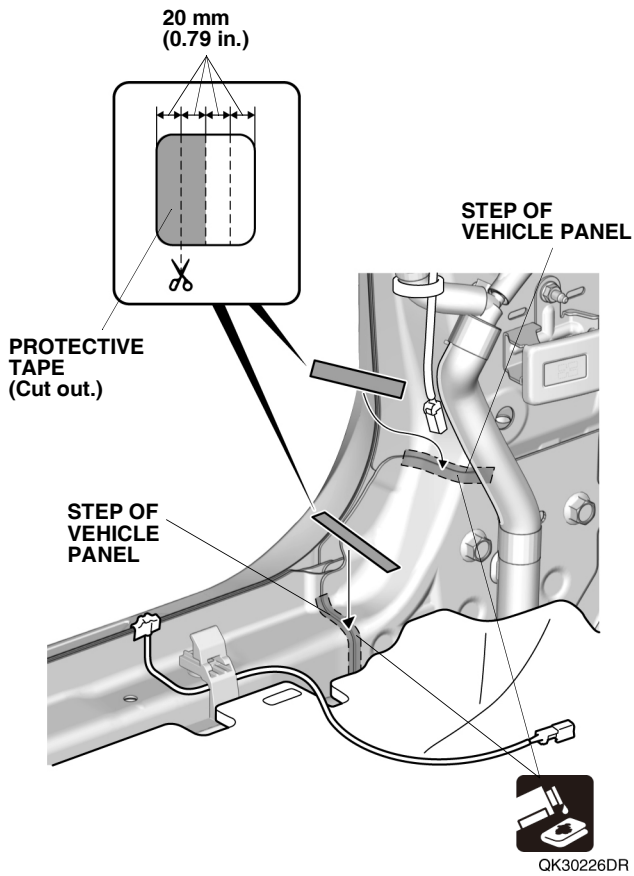
37. Secure the left front door sill trim harness.

38. Route the left front door sill trim harness.

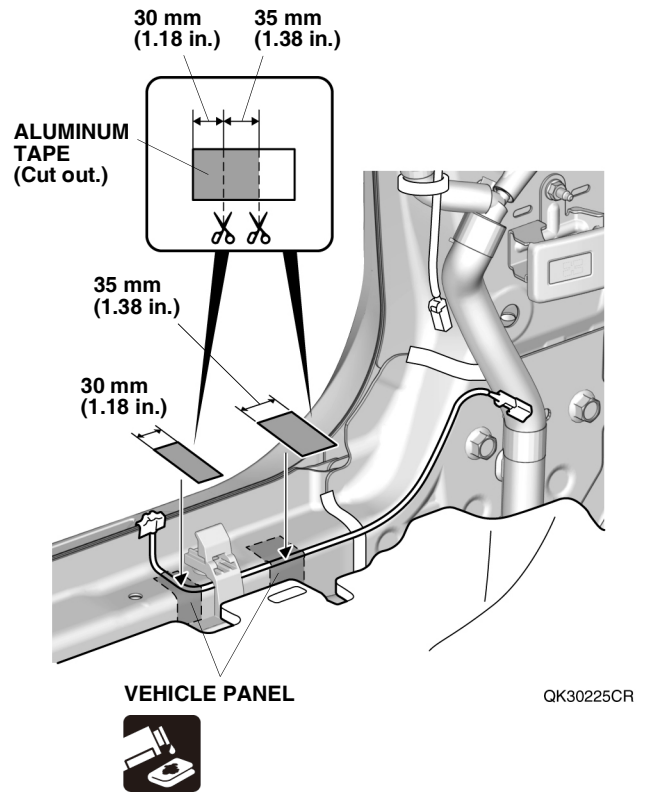


QK30224AR

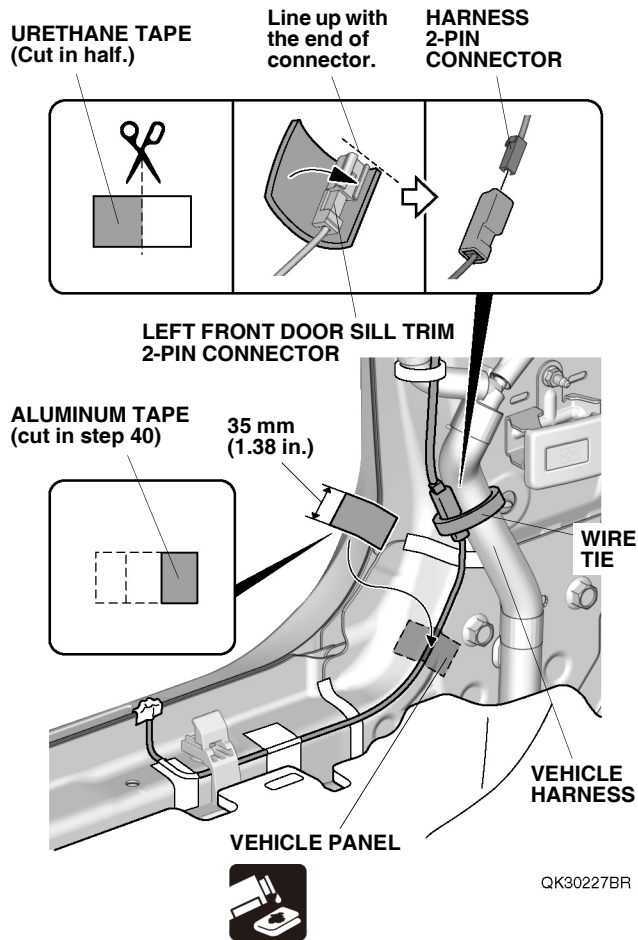
39. Attach the protective tape.



40. Secure the left front door sill trim harness.

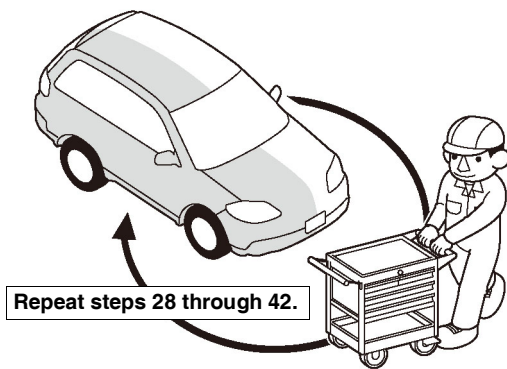


41. Attach the urethane tape and plug the harness connectors together.



QK30227BR

42. Secure the connectors and left front door sill trim harness.
43. Repeat the same procedures on the other side.



Repeat steps 28 through 42.

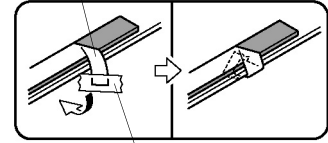
Q9D1014AM

44. Temporarily attach the adhesive backings.

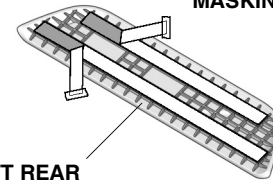
NOTE

Make sure to check the identification mark before installation.

2 ADHESIVE BACKINGS (Attach.)



MASKING TAPE



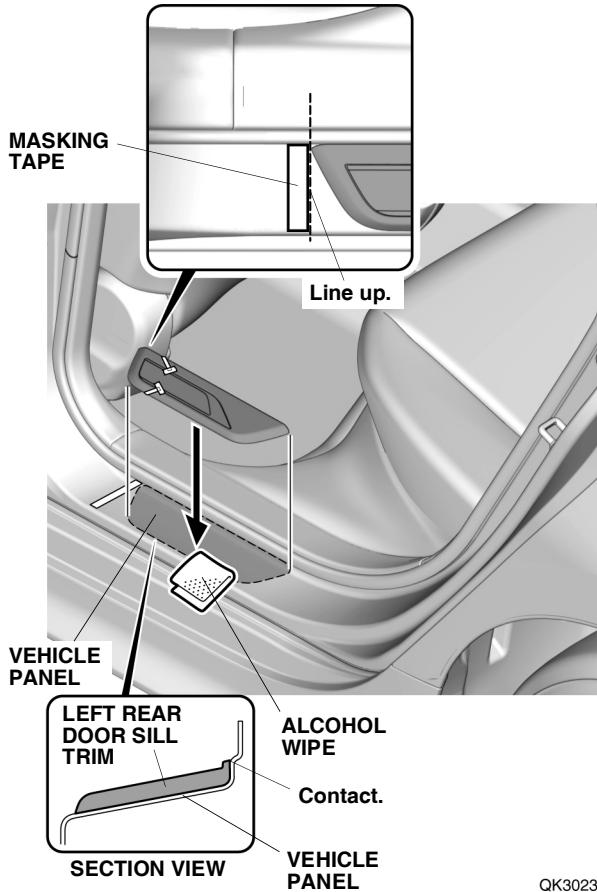
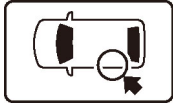
LEFT REAR DOOR SILL TRIM (Identification mark: L)

QK30230AR

45. Clean the vehicle panel.

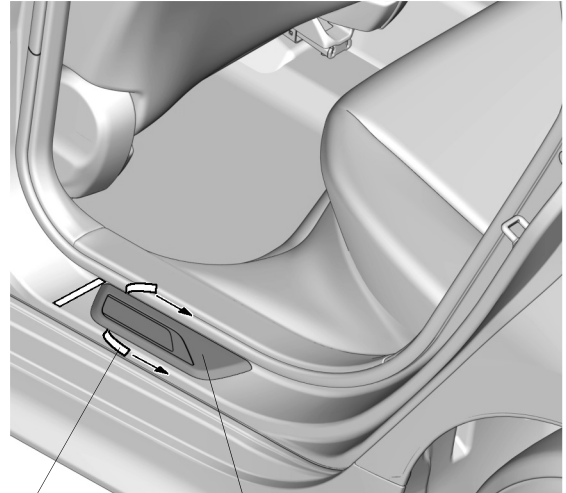
NOTE

Allow to dry thoroughly.



QK30231BR

46. Line up the left rear door sill trim.
47. Secure the left rear door sill trim.

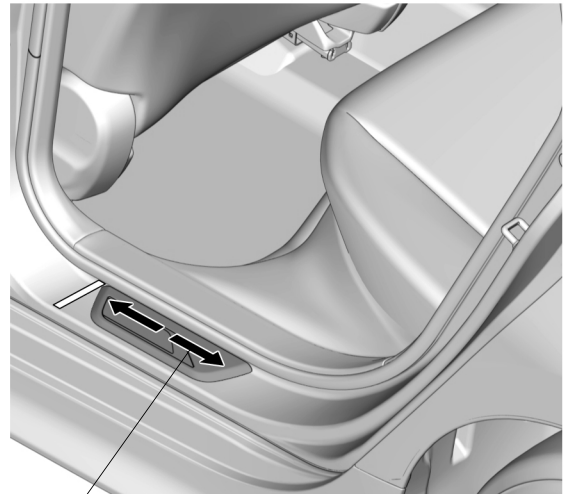


2 ADHESIVE BACKINGS (Remove.)



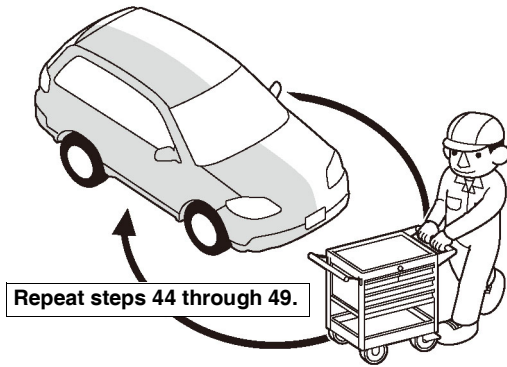
QK30232AR

48. Secure the left rear door sill trim.



QL31202AH

49. Remove the masking tape.
50. Repeat the same procedures on the other side.



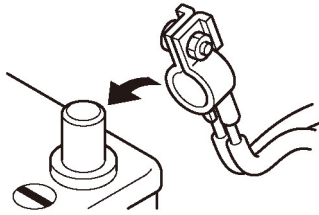
Q9D1014AM

51. Remove the protective film if necessary.
52. Check that all parts are installed and properly routed.

NOTE

- Check that all harnesses are not pulled or pinched.
- Make sure all clips and wire ties are securely installed.

53. Install all removed parts.
54. Install the vehicle connector.
55. Connect the negative cable to the battery.



Q060702BM

56. Check that the front door sill trim comes on by opening a door.
57. Make sure all accessories and systems operate properly.
58. If necessary, restore the systems back to normal operation as described in the service information.
59. Press and hold the audio unit power button for 2 seconds to restore the audio and navi (if equipped) system functions.